



Field Service Bulletin

Electro-Mechanical Thermostats for Electric Water Heaters

Towards the end of 2006, Bradford White announced that we are changing the thermostats on our electric water heaters. (Please see Product Bulletin PB110606). You will begin to see Therm-O-Disc (TOD) thermostats in the residential electric water heaters in the next few weeks. In addition to using these thermostats in production, the TOD thermostats are being used as replacement service parts for existing thermostats (see table on the next page).

In most instances, the TOD service thermostats install easily and without incident. However, there have been a few cases where it is difficult to connect the black wire between the upper and lower thermostats. This is probably because the wire slack has been pressed against the wall of the tank by the foam during the foaming process. In these cases, the connection can usually be made, although it will be tight.

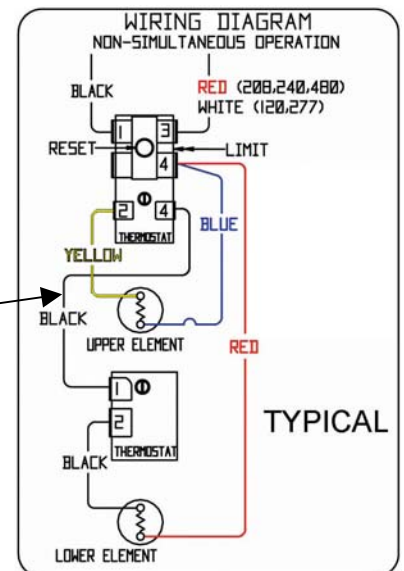
In anticipation of any concerns, future replacement TOD 89T series thermostats will be supplied with a push-on wire connector (p/n 239-46555-00), a 5 1/2" section of jumper wire (p/n 243-32773-64), and instructions (p/n 238-46532-00). The jumper wire and connector will be available for order as individual components from our Parts Department.

The connector may need to be used on the black wire that connects the two thermostats (please refer to the wiring diagram). If the black wire is unable to connect to the new thermostat, the wire connector needs to be used. Follow the instructions below.

1. Insert the black wire removed from the original thermostat's terminal #4 into the push-on connector.

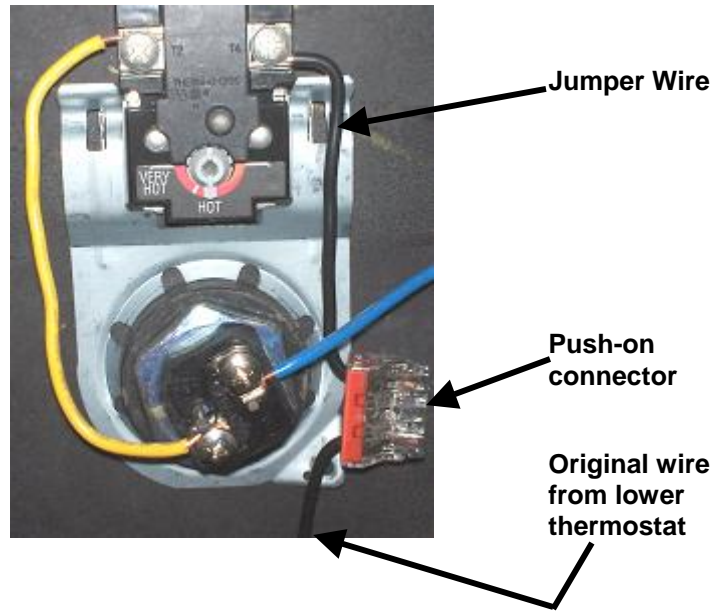
This wire may need the push-on connector

2. Insert one end of the supplied jumper wire into the push-on connector.
3. Connect the free end of the jumper wire to the terminal #4 on the new thermostat.
4. Make sure that all connections are tight, and all covers are replaced prior to turning on power.



The picture on the next page shows the jumper wire connected to the original wire via a push-on connector.

Picture of the Push-on Connector and Jumper Wire



The table below lists the existing thermostats and the corresponding replacement thermostats.

New TOD Electronic Thermostats

Apcom			TOD	
Part No.	Model No.	Description	Part No.	Model No.
219-40288-00	WH9	TSTAT SPST 160°F	265-46279-00	59T
219-45562-00	WH9	TSTAT SPST 140°F PRE-SET		
219-40287-00	WH10AWL6	TSTAT SPDT 160°F	265-40695-00	89T33
219-45561-00	WH10AWL6	TSTAT SPDT 140°F PRE-SET		
219-40286-00	WH9WL6	TSTAT SPST 160°F	265-40694-00	89T13
219-45771-00	WH9WL6	TSTAT SPST 140°F PRE-SET		

If there are any questions, please contact the Technical Service Department (1-800-334-3393) or your Regional Sales Representative.