

# THE BRADFORD WHITE **BRUTE FT<sup>®</sup>** HIGH EFFICIENCY FLOOR STANDING BOILER

## Brute Power and Efficiency in One Floor Standing Package.



- **Ultra-High Efficiency** – rated up to 95% (AFUE).
- **10:1 Turn Down Ratio** – for fast, efficient and quiet response.
- **Full Modulation from 19,000 BTU/Hr. to 199,000 BTU/Hr.**
- **Cascadable up to 20 units.**
- **Durable Stainless Steel Fire-Tube Heat Exchanger** – for longer life expectancy and superior heating performance.
- **Built For the Pro<sup>®</sup> for Easy Installation & Service** – features top connections, built-in low loss header (no primary/secondary piping required), leveling legs for uneven surfaces, 3 additional access panels for service and an internal receptacle for condensate pump.
- **Small, Space-Saving Footprint** – perfect for tight spaces and easily fits in the existing footprint when replacing an old boiler. Just 38<sup>1</sup>/<sub>4</sub>" (97.2 cm) tall!
- **Outstanding support for DHW Outputs** – automatic temperature set to 180°F when Indirect tank calls for heat.

### The Perfect Package

Pair the Brute FT<sup>®</sup> Floor Standing Boiler with a Bradford White Indirect Fired Water Heater for outstanding heating and hot water performance.



See more at our exclusive professional website [bwfortheopro.com](http://bwfortheopro.com) **FOR THE PRO<sup>®</sup>**

Committed to the Professional.  
[fortheopro.bradfordwhite.com](http://fortheopro.bradfordwhite.com)

**BRADFORD WHITE<sup>®</sup>**  
WATER HEATERS

Built to be the Best<sup>®</sup>

# The Brute FT<sup>®</sup> Floor Standing Boiler (Heat Only)

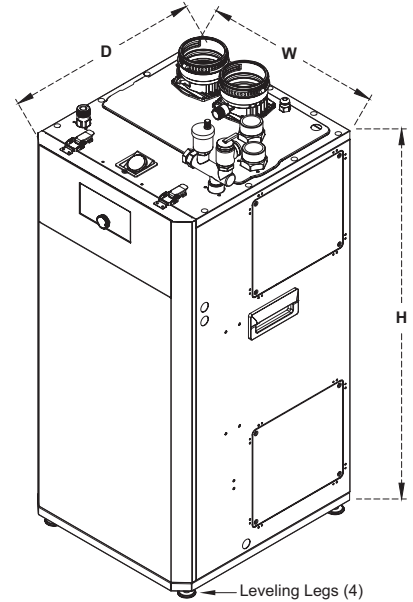
## Smart for Your Customers:

Uses advanced technology to provide outstanding heating performance. Small footprint saves homeowner space. Innovative stainless steel fire-tube heat exchanger for longer life. 10-year heat exchanger warranty, 5-year parts warranty. Pair with a Bradford White Indirect Fired Water Heater for an ideal heating and hot water solution.

## Smart for YOU: Built For the Pro<sup>®</sup> for Easy Installation & Service.

### Product Specifications

SPECIFICATION	UNITS/CONDITION	HEAT ONLY BOILER BFTHF199
Input, Max Fire	MBH (kW)	199 (58)
Weight, Unit	lbs (kg)	146 (66.2)
H x W x D	Inches (cm)	38.25 x 17.9 x 19.6 (97.2 x 45.5 x 49.8)
Turndown		10:1
Heating "CH" Supply	NPT	1 1/2"
Heating "CH" Return	NPT	1 1/2"
Gas Inlet	NPT	3/4"
Efficiency	AFUE	95%
Condensate Line	Inches (cm)	1/2" (1.3)
Gas Supply Pressure	In WC	3.5-10.5" w.c. (NG)   8.0-13.0" w.c. (LP)
Pressure Relief Settings	psi (kPa)	30 (307)
Air Intake Collar	Inches (cm)	3 (7.6)
Exhaust Outlet Collar	Inches (cm)	3 (7.6)
Vent Diameter & Equivalent Length	Inches / ft.	2" / 50' – 3" / 100'
Vent Material	PVC, CPVC, Stainless Steel, Polypropylene	
Fuel	Natural Gas or Propane (propane conversion kit included)	
Power Supply	Volts/Hertz	120 / 60
Warranty	Limited 10 year heat exchanger / 5 year parts	



### INCLUDED WITH THE BRUTE FT<sup>®</sup> SERIES

- 3-in-1 Brass Pipe Adapter
- Pressure Relief Valve
- Automatic Air Elimination Vent
- Grundfos Boiler Pump (installed)
- Propane Conversion Kit
- Air Intake Filter (installed)
- Outdoor Sensor

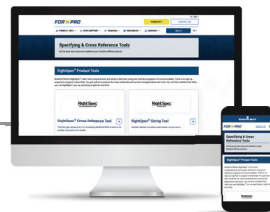


### OPTIONAL INSTALLATION ACCESSORIES

- Condensate Neutralizer/Pump ..... PN: FT3007
- Concentric Vent Terminal – Flush Mount ..... PN: 2" CA010100  
PN: 3" CA010101
- Concentric Vent Terminal – Bazooka ..... PN: 2" 415-44069-02  
PN: 3" 415-44069-01
- Two-Pipe to Concentric Stainless Steel Vent ..... PN: FT3006
- Two-Pipe to Concentric PolyPro/CPVC Vent ..... PN: FT3002

This model is configured for Natural Gas and includes a LP conversion kit for easy conversion by a qualified installer at the supply house or in the field.

Need to compare a competitive model? Use our RightSpec<sup>®</sup> Cross Reference Tool at [forthe.pro.bradfordwhite.com/rightspec](http://forthe.pro.bradfordwhite.com/rightspec)



Built to be the Best<sup>®</sup> | 800.523.2931

Products made by Bradford White are manufactured in the United States using the finest raw materials and components from around the world.

©2024, Bradford White Corporation, USA. All rights reserved. BRTFTFL-HF-SS 0324



[forthe.pro.bradfordwhite.com](http://forthe.pro.bradfordwhite.com)