



BRADFORD WHITE[®]
W A T E R H E A T E R S

**RESIDENTIAL SOLAR WITH GAS BACKUP REPLACEMENT
PARTS LIST**
Ultra Low NOx Models



Models Covered:
SDW4U503*FRN
SDW2U65T*FRN

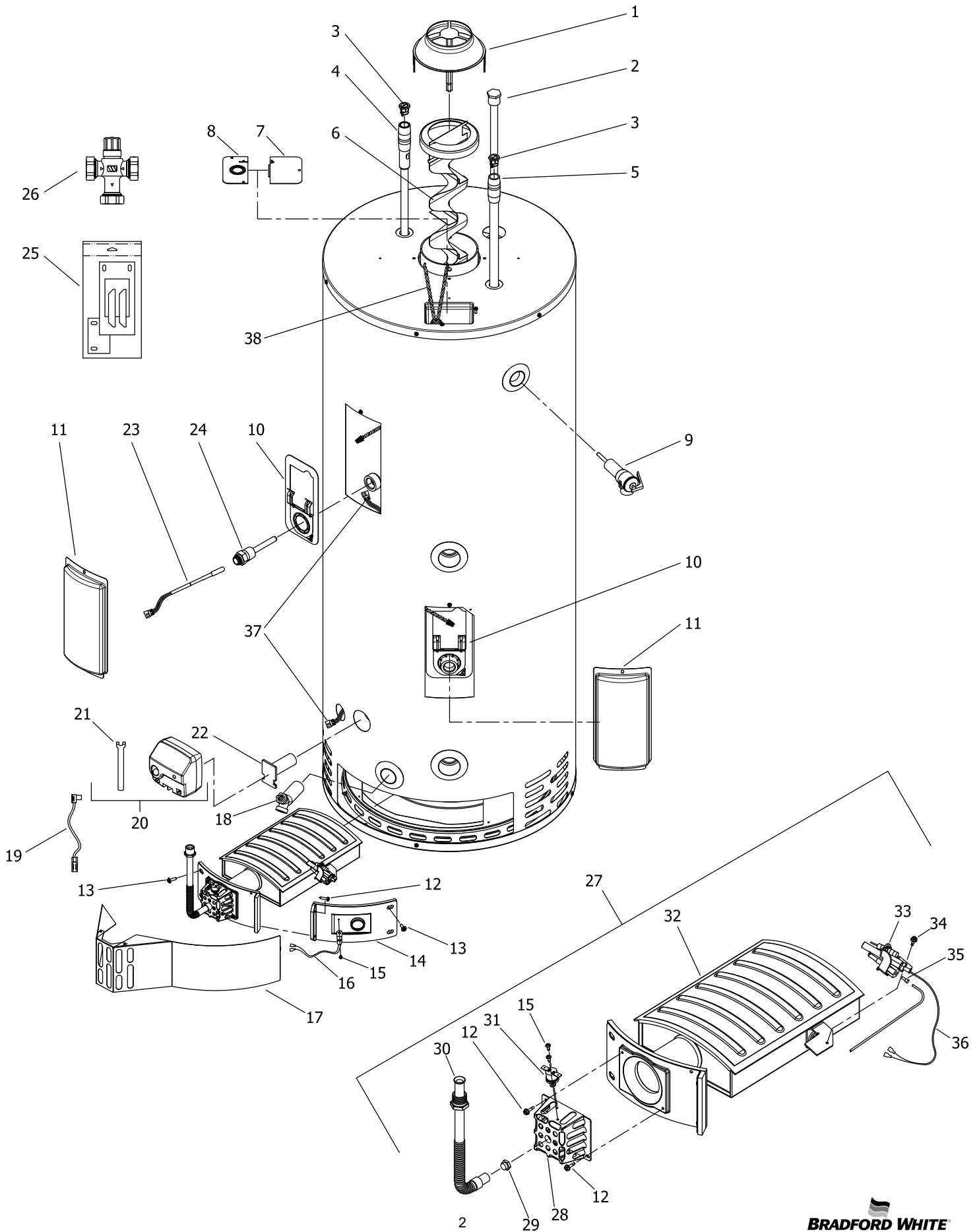
Effective: January, 2023
ECO 8248-3

**NOTE: BOTH MODEL AND SERIAL
NUMBERS ARE REQUIRED FOR
ORDERING REPLACEMENT PARTS**

Dimensions and specifications
subject to change without notice.

WARNING
CANCER AND REPRODUCTIVE HARM
WWW.P65WARNINGS.CA.GOV

As required by the state of California Proposition 65.



Item	Description	Model	Model
		SDW4U503*FRN	SDW2U65T*FRN
1	Draft Diverter	243-45787-00	243-33081-02-20
2	Hex Head Anode (Aluminum)	415-38508-03	415-38508-03
	Hex Head Anode (A420) #	415-49559-04	229-49559-04
3	Heat Trap Insert	415-45167-00	415-45167-00
4	Hot Water Outlet Anode (Aluminum) ▲#	415-32999-30	415-32999-06
	Hot Water Outlet A420 ▲#	415-49560-08	415-49560-08
5	Cold Water Inlet ▲	415-51230-11	229-51230-08
6	Flue Baffle	243-44705-00	243-46752-00
7	Junction Box Cover	243-39452-00	243-39452-00
8	Conduit Cover/Ground	243-39451-00	243-39451-00
9	T&P Relief Valve	415-40594-02	415-40594-02
10	Thermostat Bracket Assembly	243-47564-01	243-47564-01
11	Access Cover	243-36618-02	243-36618-02
12	Screw-#8-18 X 3/4 HWH	239-44195-00	239-44195-00
13	Screw-#10-12 X 3/4 HWH	239-44113-00	239-44113-00
14	Right Side Inner Door Complete (w/RTD Sensor)	239-46697-03	239-46697-04
15	Screw-#6-20 X 3/8 PHCR	239-43967-00	239-43967-00
16	RTD Sensor	415-46793-00	415-46793-00
17	Outer Door	239-46209-00	239-46209-00
18	Brass Drain Valve	415-42351-02	415-42351-02
19	Wire Harness (Gas Control to Resettable Thermal Switch)	239-47892-00	239-47892-00
20	Gas Control (w/ Service Tool)	239-46402-01	239-46402-01
21	Gas Control Service Tool	239-45991-00	239-45991-00
22	Gas Control Bracket	239-47686-00	239-47686-00
23	Thermostat Sensor	239-47919-00	239-47919-00
24	Thermostat Sensor Well	239-46558-01	239-46558-01
25	Inner Door Gasket Kit	239-47062-00	239-47062-00
26	ASSE Approved Mixing Valve	239-51778-00	239-51778-00
27	Burner Assembly***	265-46693-05-36	265-46693-09-31
28	Manifold Mount Assembly	239-46695-00	239-46695-00
29	Orifice	234-18194-36	234-18194-31
30	Flexible Gas Feedline	233-46930-01	233-46930-01
31	Resettable Thermal Switch	239-43676-03	239-43676-03
32	Burner	228-48383-18	228-48383-21
33	Pilot Assembly Kit	239-47449-00	239-47449-00
34	Screw-#8-18 X 1/2 TEK	239-32761-00	239-32761-00
35	Pilot Orifice	234-47098-00	234-47098-00
36	Thermopile Kit	233-47446-00	233-47446-00
37	Thermostat Sensor Wire Harness	239-47687-02	239-47687-02
38	Solar Sensor Wire Harness	243-47267-01	243-47267-01

*Applies to all warranties

**Inner door gasket kit recommended

***Ordering a complete burner assembly may increase delivery time.

Please order the specific component required for the quickest delivery.

▲ Order with item 3

Anode may need to be cut to length



United States

Sales 800-523-2931

Technical Support 800-334-3393

Email techserv@bradfordwhite.com

Warranty 800-531-2111

Email warranty@bradfordwhite.com

Service Parts 800-538-2020

Email parts@bradfordwhite.com

Canada

Sales & Technical Support 866-690-0961 905-203-0600

Fax 905-636-0666

Warranty bwccwarranty@bradfordwhite.com

Technical Support bwccotech@bradfordwhite.com

Service Parts orders@bradfordwhitecanada.com

Orders ca.orders@bradfordwhite.com

For U.S. and Canada field service,
contact your professional installer or
local Bradford White sales representative.

International

General Contact international@bradfordwhite.com