



BRADFORD WHITE[®]
W A T E R H E A T E R S

REPLACEMENT PARTS LIST
Ecoston[™] Series Solar Indirect System



Includes Hydrojet[®]
Total Performance System

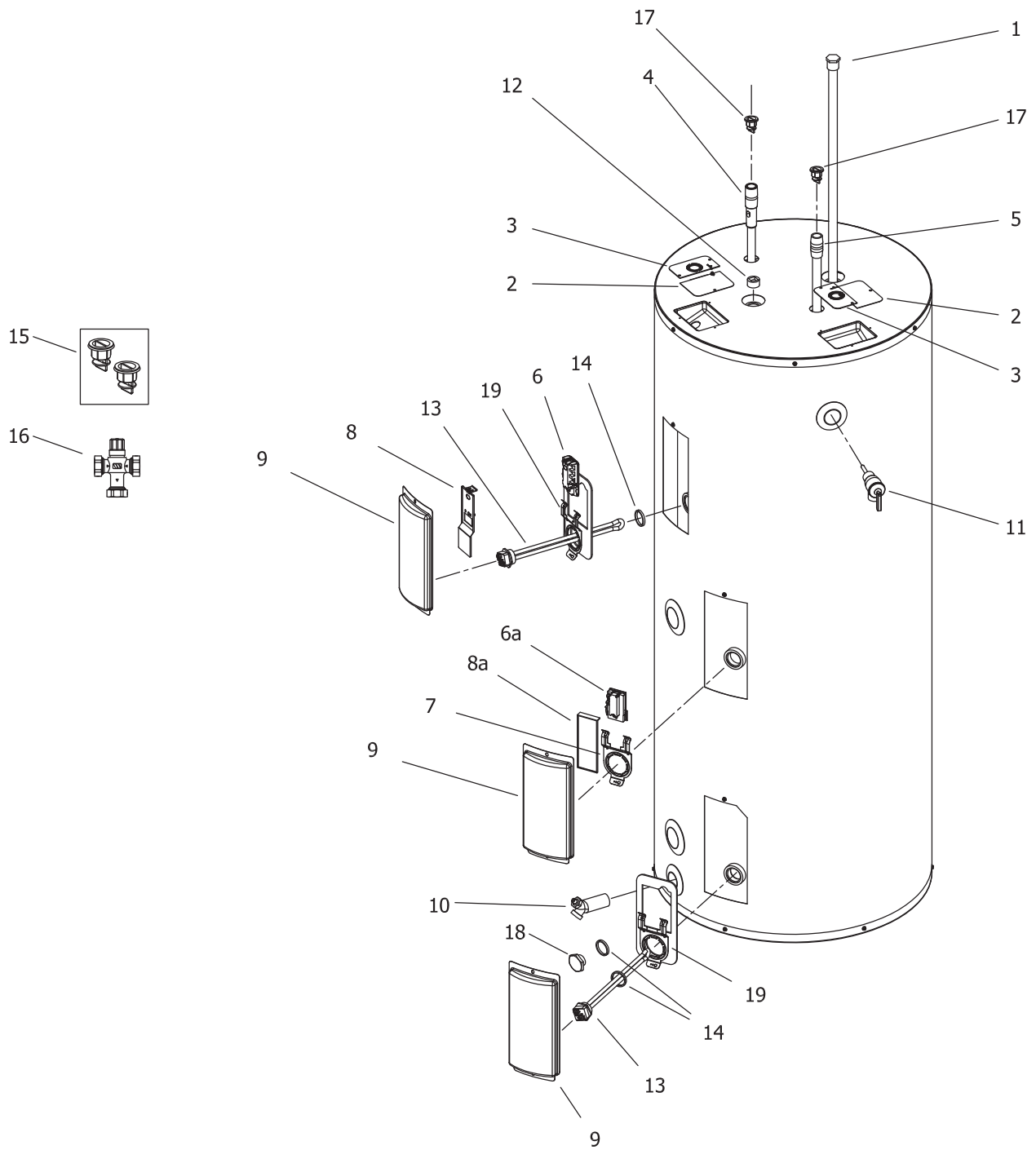
Effective: June, 2018
ECO 8195

**NOTE: BOTH MODEL AND SERIAL
NUMBERS ARE REQUIRED FOR
ORDERING REPLACEMENT PARTS**

Dimensions and specifications
subject to change without notice.

WARNING
CANCER AND REPRODUCTIVE HARM
WWW.P65WARNINGS.CA.GOV

As required by the state of California Proposition 65.



Item	Description	Model	Model	Model	Model	Model	Model
		S(SW,DW)260R*(D,S)S	S(SW,DW)275R*(D,S)S	S(SW,DW)2115R*(D,S)S	SDCDW255R*SW	SDCDW270R*SW	SDCDW2110R*SW
1	Anode-Hex Plug type (Aluminum)#	224-38508-07	224-38508-07	224-38508-07	224-38508-07	224-38508-07	224-38508-07
	Anode-Hex Plug type (A420 Aluminum)#	224-49559-04	224-49559-04	224-49559-04	224-49559-04	224-49559-04	224-49559-04
2	Cover Junction Box	243-39452-00	243-39452-00	243-39452-00	243-39452-00	243-39452-00	243-39452-00
3	Cover Conduit/Ground	243-39451-00	243-39451-00	243-39451-00	243-39451-00	243-39451-00	243-39451-00
4	Hot Water Outlet Anode (Aluminum)#	224-32999-26	224-32999-26	224-32999-13	224-32999-26	224-32999-26	224-32999-13
5	Cold Water Inlet Dip Tube (Polysulfone)	229-51230-10	229-51230-10	229-51230-13	229-51230-10	229-51230-10	229-51230-13
6	Thermostat with High Limit ▲	265-46281-00	265-46281-00	265-46281-00	265-46281-00	265-46281-00	265-46281-00
6a	Thermostat (Dual Element Only)▲	219-46279-00	219-46279-00	219-46279-00	---	---	---
7	Thermostat Mounting Bracket	239-44479-00	239-44479-00	239-44479-00	239-44479-00	239-44479-00	239-44479-00
8	Thermostat Protector (Large) ♦	223-40399-00	223-40399-00	223-40399-00	223-40399-00	223-40399-00	223-40399-00
8a	Thermostat Protector (Small)♦♦	223-46286-00	223-46286-00	223-46286-00	---	---	---
9	Access Cover	243-36618-02	243-36618-02	243-36618-02	243-36618-02	243-36618-02	243-36618-02
10	Brass Drain Valve	265-42351-02	265-42351-02	265-42351-02	265-42351-02	265-42351-02	265-42351-02
11	T&P Relief Valve	230-40594-02	230-40594-02	230-40594-02	230-40594-02	230-40594-02	230-40594-02
12	3/4 NPT Plug	239-11638-00	239-11638-00	---	---	---	---
13	Heating Element Incoloy 240V/4500W	220-42545-16	220-42545-16	220-42545-16	---	---	---
	Heating Element Incoloy 240V/5500W	220-42545-17	220-42545-17	220-42545-17	---	---	---
14	Element Gasket	223-34019-00	223-34019-00	223-34019-00	---	---	---
15	Kit-Heat Trap Insert	265-45420-00	265-45420-00	265-45420-00	265-45420-00	265-45420-00	265-45420-00
16	ASSE Approved Mixing Device (Optional)	239-51778-00	239-51778-00	239-51778-00	239-51778-00	239-51778-00	239-51778-00
17	Heat Trap Insert (Inlet & Outlet)	239-45167-00	239-45167-00	239-45167-00	239-45167-00	239-45167-00	239-45167-00
18	Element Plug (Single Element Only)	223-34020-00	223-34020-00	223-34020-00	---	---	---
19	Thermostat Bracket Assembly	243-47564-02	243-47564-02	243-47564-02	243-47564-01	243-47564-01	243-47564-01

* All Warranties

♦ For use with item 6.

♦♦ For use with item 6a.

▲ Thermostat protector provided with thermostat.

Anode may need to be cut to length



BRADFORD WHITE®

W A T E R H E A T E R S

Ambler, PA

For U.S. and Canada field service,
contact your professional installer or
local Bradford White sales representative.

Sales/800-523-2931

Technical Support/800-334-3393
Email/techserv@bradfordwhite.com

Warranty/800-531-2111
Email/warranty@bradfordwhite.com

Service Parts/800-538-2020
Email/Parts@bradfordwhite.com

International:
international@bradfordwhite.com



BRADFORD WHITE™ **CANADA**

Halton Hills, Ontario, Canada

Sales & Technical Support/866-690-0961
905-203-0600

Fax/905-636-0666

Email

Warranty/bwccwarranty@bradfordwhite.com
Technical Support/BWCCTech@bradfordwhite.com
Parts/orders@bradfordwhitecanada.com
Orders/ca.orders@bradfordwhite.com

www.bradfordwhite.com