



# INDIRECT WATER HEATER REPLACEMENT PARTS LIST

## PowerStor Series<sup>®</sup> SS & Stainless Steel Indirect (RTV) Models



SS Indirect model shown

### Models Covered:

RTV-40-L

RTV-52-L

RTV-75-L

RTV-75D-L

RTV-120-L

\*Denotes warranty year

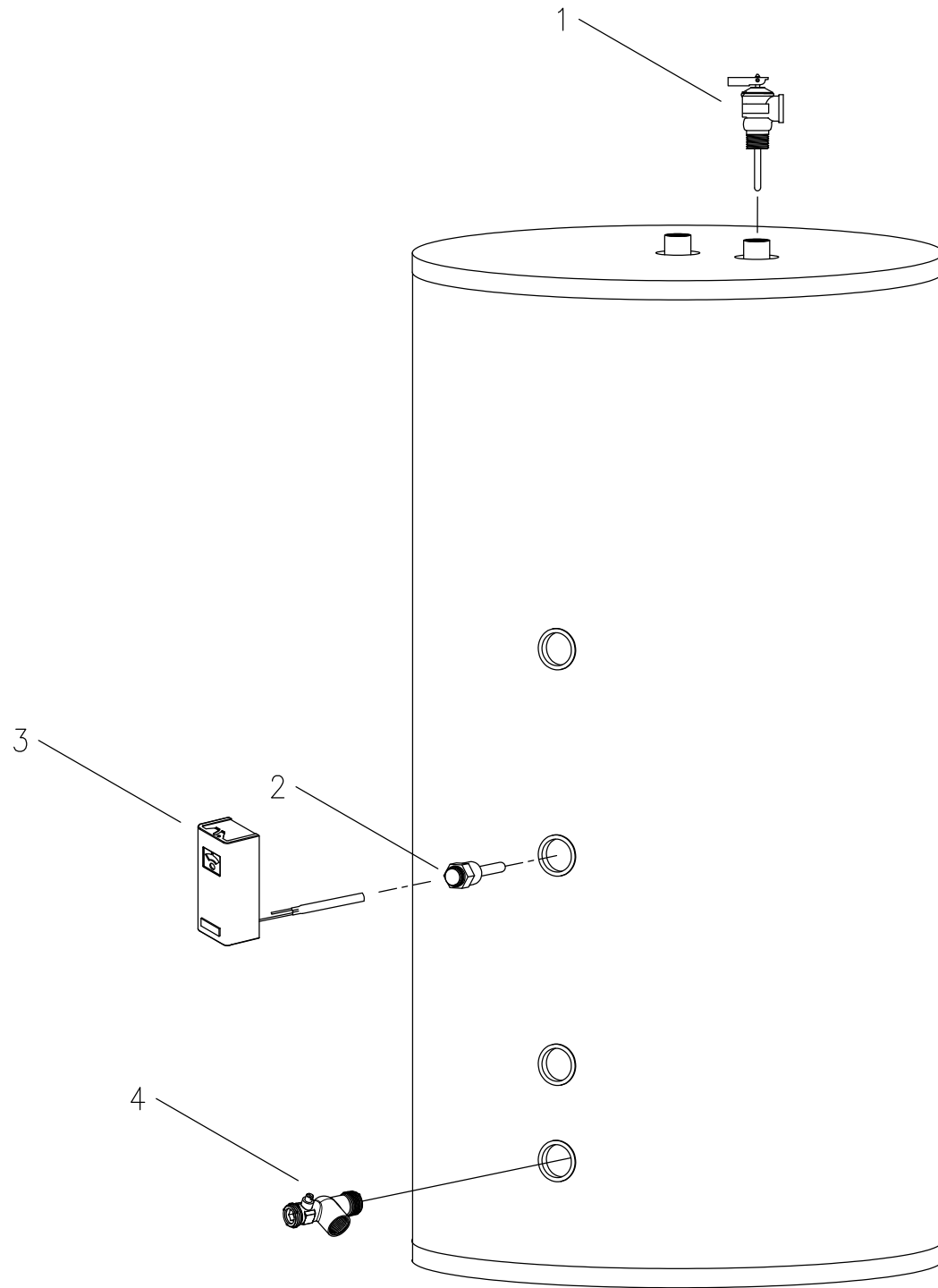
**Effective: December, 2022**  
**ECO 8248-3**

**NOTE: BOTH MODEL AND SERIAL NUMBERS ARE REQUIRED FOR ORDERING REPLACEMENT PARTS**

Dimensions and specifications subject to change without notice.



As required by the state of California Proposition 65.



Item Description	Model	Model	Model	Model	Model
	RTV-40-L	RTV-52-L	RTV-75-L	RTV-75D-L	RTV-120-L
1 T&P Relief Valve	415-32920-01	415-32920-01	415-32920-01	415-32920-01	415-32920-04
2 Aquastat Well	233-43315-00	233-43315-00	233-43315-00	233-43315-00	233-46558-01
3 Aquastat	243-44416-00	243-44416-00	243-44416-00	243-44416-00	243-44416-00
4 Drain Valve w/ Inlet Connection	227-49556-02	227-49556-02	227-49556-02	227-49556-02	227-49556-02



## United States

---

**Sales** 800-523-2931

**Technical Support** 800-334-3393

**Email** [techserv@bradfordwhite.com](mailto:techserv@bradfordwhite.com)

**Warranty** 800-531-2111

**Email** [warranty@bradfordwhite.com](mailto:warranty@bradfordwhite.com)

**Service Parts** 800-538-2020

**Email** [parts@bradfordwhite.com](mailto:parts@bradfordwhite.com)

## Canada

---

**Sales & Technical Support** 866-690-0961 905-203-0600

**Fax** 905-636-0666

**Warranty** [bwccwarranty@bradfordwhite.com](mailto:bwccwarranty@bradfordwhite.com)

**Technical Support** [bwccotech@bradfordwhite.com](mailto:bwccotech@bradfordwhite.com)

**Service Parts** [orders@bradfordwhitecanada.com](mailto:orders@bradfordwhitecanada.com)

**Orders** [ca.orders@bradfordwhite.com](mailto:ca.orders@bradfordwhite.com)

For U.S. and Canada field service,  
contact your professional installer or  
local Bradford White sales representative.

## International

---

**General Contact** [international@bradfordwhite.com](mailto:international@bradfordwhite.com)