



BRADFORD WHITE[®]
W A T E R H E A T E R S

RESIDENTIAL REPLACEMENT PARTS LIST

PowerStor2™ Series[®]
Double-Wall Indirect (DW) Models



Includes Hydrojet[®]
Total Performance System

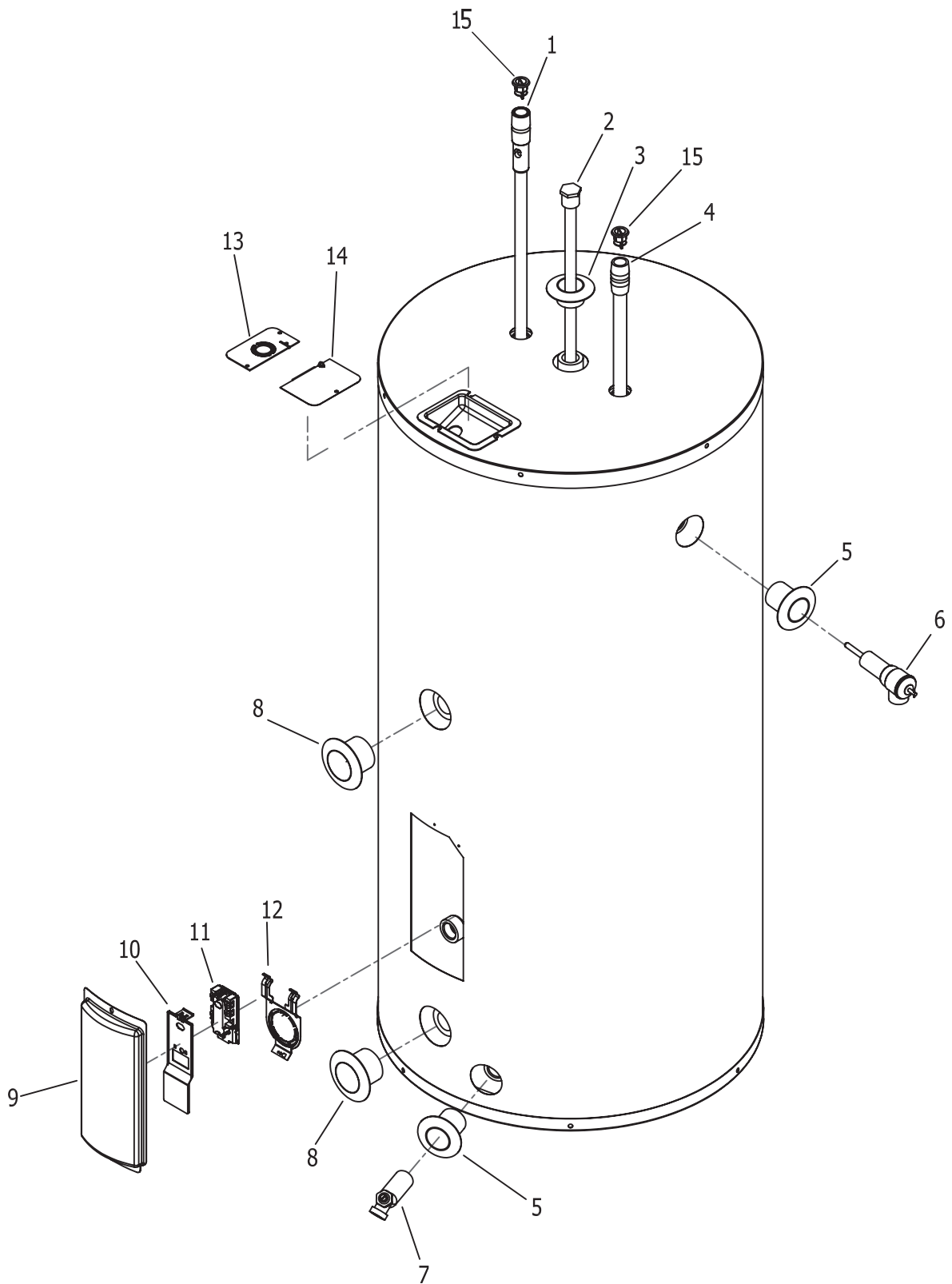
Effective: June, 2018
ECO 8195

**NOTE: BOTH MODEL AND SERIAL
NUMBERS ARE REQUIRED FOR
ORDERING REPLACEMENT PARTS**

Dimensions and specifications
subject to change without notice.

WARNING
CANCER AND REPRODUCTIVE HARM
WWW.P65WARNINGS.CA.GOV

As required by the state of California Proposition 65.



Item	Description	Model DW240L	Model DW250L	Model DW265L	Model DW280L
1	Hot Water Outlet/Anode 3/4 NPT (Aluminum) #	224-32999-22	224-32999-10	224-32999-13	224-32999-13
2	Anode (Aluminum) Hex Head #	224-38508-07	224-38508-07	224-38508-07	224-38508-07
	Anode (A420 Aluminum) Hex Head #	224-49559-04	224-49559-04	224-49559-04	224-49559-04
3	Escutcheon (1")	239-41336-00	239-41336-00	239-41336-00	239-41336-00
4	Cold Water Inlet Dip Tube, Pex	229-51230-19	229-51230-10	229-51230-19	229-51230-19
5	Escutcheon (1 1/2")	239-41337-00	239-41337-00	239-41337-00	239-41337-00
6	T & P Relief Valve	230-40594-02	230-40594-02	230-40594-02	230-40594-02
7	Brass Drain Valve	265-42351-02	265-42351-02	265-42351-02	265-42351-02
8	Escutcheon (Coil Fitting)	239-43303-00	239-43303-00	239-43303-00	239-43303-00
9	Access Cover	243-36618-02	243-36618-02	243-36618-02	243-36618-02
10	Thermostat Protector	243-40830-00	243-40830-00	243-40830-00	243-40830-00
11	Thermostat With High Limit	219-40694-00	219-40694-00	219-40694-00	219-40694-00
12	Thermostat Mounting Bracket	239-44478-00	239-44478-00	239-44478-00	239-44478-00
13	Cover Conduit/Ground	243-39451-00	243-39451-00	243-39451-00	243-39451-00
14	Cover Junction Box	243-39452-00	243-39452-00	243-39452-00	243-39452-00
15	Heat Trap Kit	265-51572-00	265-51572-00	265-51572-00	265-51572-00

Anodes may need to be cut to length



BRADFORD WHITE®

W A T E R H E A T E R S

Ambler, PA

For U.S. and Canada field service,
contact your professional installer or
local Bradford White sales representative.

Sales/800-523-2931

Technical Support/800-334-3393
Email/techserv@bradfordwhite.com

Warranty/800-531-2111
Email/warranty@bradfordwhite.com

Service Parts/800-538-2020
Email/Parts@bradfordwhite.com

International:
international@bradfordwhite.com



BRADFORD WHITE™

CANADA

Halton Hills, Ontario, Canada

Sales & Technical Support/866-690-0961
905-203-0600

Fax/905-636-0666

Email

Warranty/bwccwarranty@bradfordwhite.com
Technical Support/BWCCTech@bradfordwhite.com
Parts/orders@bradfordwhitecanada.com
Orders/ca.orders@bradfordwhite.com

www.bradfordwhite.com