



BRADFORD WHITE[®]
W A T E R H E A T E R S

**Residential Ultra Low NOx Through-The-Wall (TTW[®])
Gas Water Heaters Replacement Parts List**

URG(1,2)PV(40,50)(S,T) 19 Models



BRADFORD WHITE[®] featuring:
AquaVENT[™] MAX
From FASCO[™]

Includes Hydrojet[®]
Total Performance System

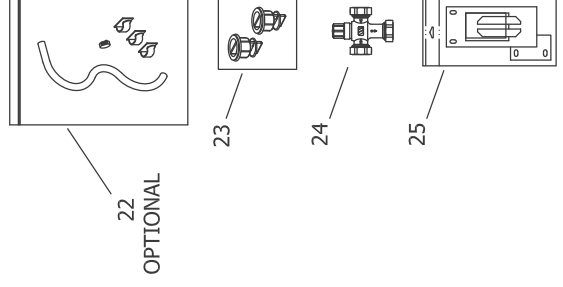
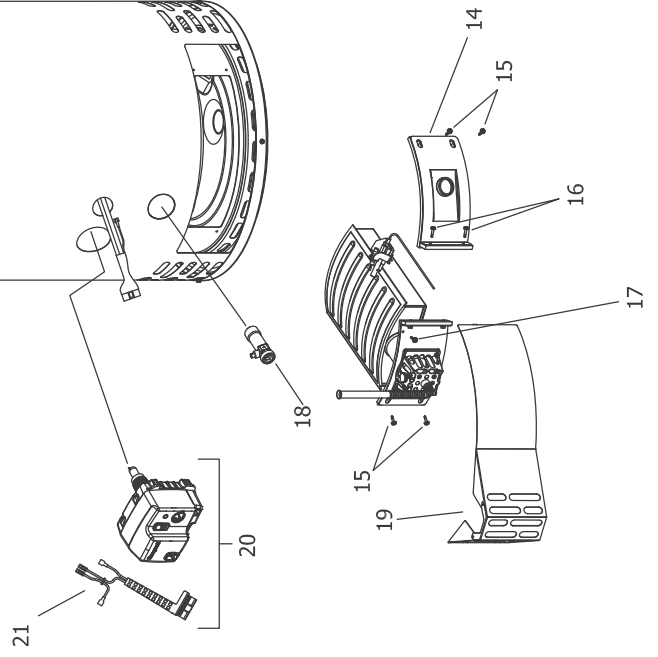
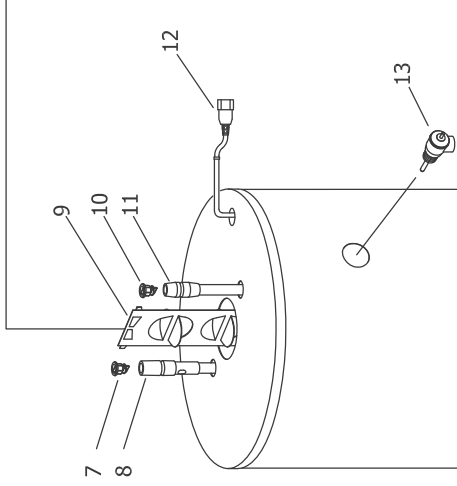
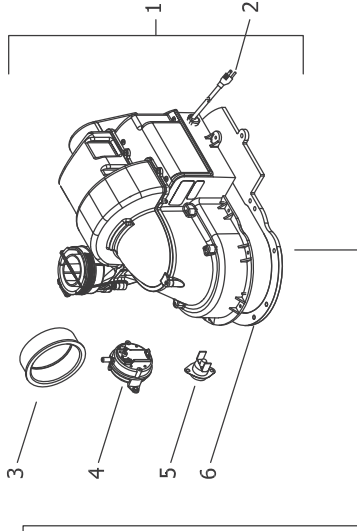
Effective: January, 2020
ECO 8200

**NOTE: BOTH MODEL AND SERIAL
NUMBERS ARE REQUIRED FOR
ORDERING REPLACEMENT PARTS**

Dimensions and specifications
subject to change without notice.

WARNING
CANCER AND REPRODUCTIVE HARM
WWW.P65WARNINGS.CA.GOV

As required by the state of California Proposition 65.



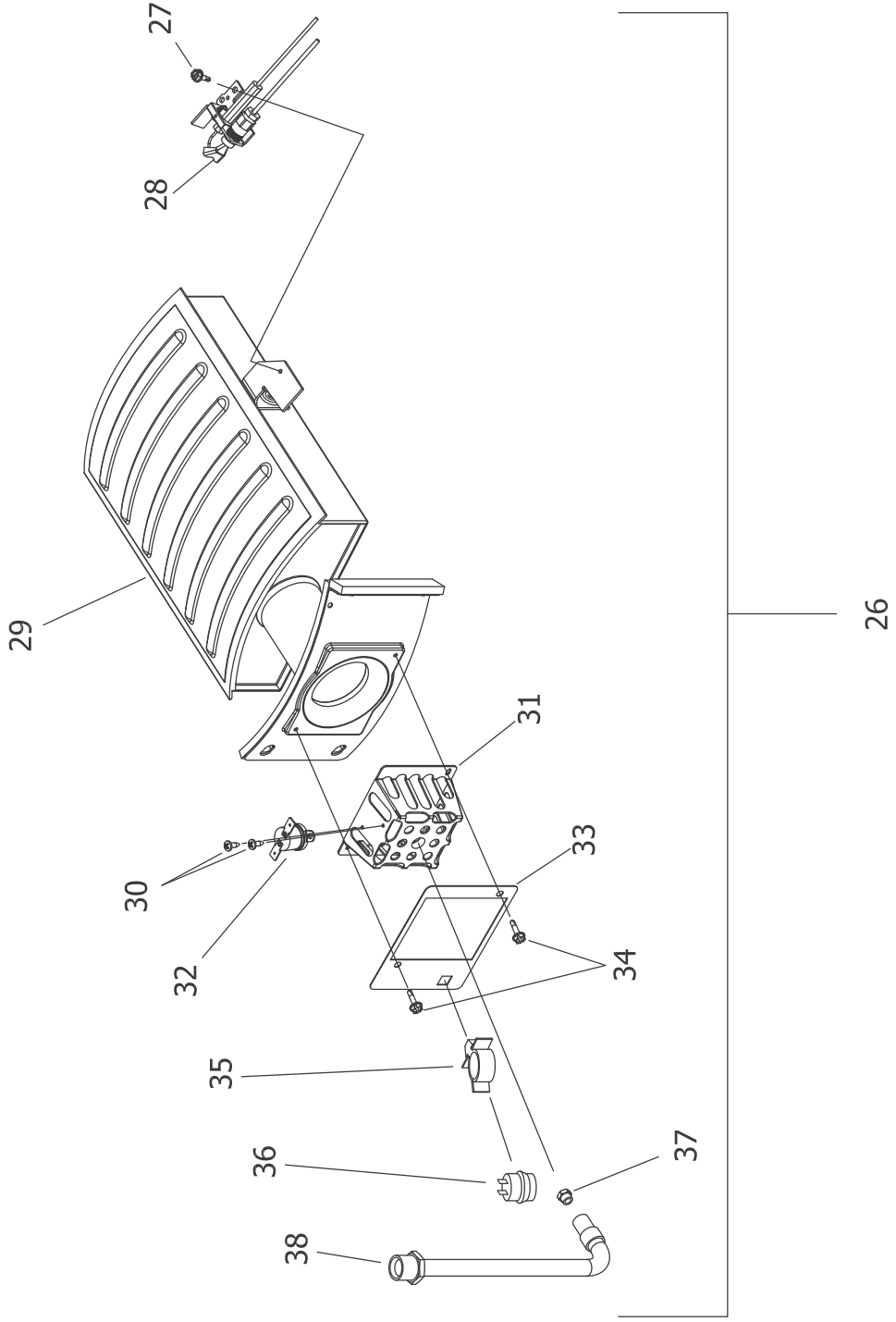
Item Description	Model URG1PV40S*N19	Model URG1PV50S*N19	Model URG2PV40T*N19	Model URG2PV50T*N19
1 Blower Complete	415-53662-00	415-53662-00	415-53662-00	415-53662-00
2 Blower Power Cord	239-44466-00	239-44466-00	239-44466-00	239-44466-00
3 Gasket Adapter Rubber PVC	415-53864-00	415-53864-00	415-53864-00	415-53864-00
4 Pressure Switch	415-45867-05	415-45867-05	415-45867-05	415-45867-05
5 Blower Temperature Switch	415-53692-00	415-53692-00	415-53692-00	415-53692-00
6 Blower Gasket	415-53693-00	415-53693-00	415-53693-00	415-53693-00
7 Heat Trap Insert (Outlet)	239-45167-00	239-45167-00	239-45167-00	239-45167-00
8 Hot Water Outlet Anode (Magnesium) ▲ #	224-47776-19	224-47776-19	224-47776-19	224-47776-19
Hot Water Outlet Anode (Aluminum) ▲ #	224-32999-42	224-32999-42	224-32999-42	224-32999-42
Hot Water Outlet Anode (A420 Aluminum) ▲ #	224-49560-08	224-49560-08	224-49560-10	224-49560-10
9 Flue Baffle	243-53013-00	243-53013-00	243-53012-00	243-53012-00
10 Heat Trap Insert (Inlet)	239-51556-00	239-51556-00	239-45167-00	239-45167-00
11 Cold Water Inlet Dip Tube (PEX) ▲ ▲	229-53466-02	229-53466-02	---	---
Cold Water Inlet Dip Tube (Polysulfone) ▲ ▲	---	---	229-53466-01	229-53466-01
12 Blower Harness	239-53264-00	239-53264-00	239-53264-00	239-53264-00
13 T&P Relief Valve	230-40594-02	230-40594-02	230-40594-02	230-40594-02
14 Right Side Inner Door Complete	239-48216-20	239-48216-20	239-48216-18	239-48216-18
15 Screw-#10-12 x 3/4 HWH	239-44113-00	239-44113-00	239-44113-00	239-44113-00
16 Screw #8-18 x 3/4 HWH SLOT	239-44195-00	239-44195-00	239-44195-00	239-44195-00
17 Screw #8 X 3/4 HEX HD	239-81253-00	239-81253-00	239-81253-00	239-81253-00
18 Brass Drain Valve	265-42351-02	265-42351-02	265-42351-02	265-42351-02
19 Outer Door	239-46209-00	239-46209-00	239-46209-00	239-46209-00
20 Gas Valve Direct Replacement (Natural Gas)	239-49823-01	239-49823-01	239-49823-02	239-49823-02
21 Flammable Vapor Sensor Harness	239-50066-00	239-50066-00	239-50066-00	239-50066-00
22 Condensate Hose Kit (Optional)	239-45875-00	239-45875-00	239-45875-00	239-45875-00
23 Kit-Heat Trap Insert	239-51572-00	239-51572-00	265-45420-00	265-45420-00
24 ASSE Approved Mixing Valve (Optional)	239-51778-00	239-51778-00	239-51778-00	239-51778-00
25 Inner Door Gasket Kit (Ultra Low NOx)	239-51576-00	239-51576-00	239-51576-00	239-51576-00

* Applies to all warranties

Anode may need to be cut to length

▲ Order with item 7

▲▲ Order with item 10



Item Description	Model	Model	Model	Model
	URG1PV40S*N	URG1PV50S*N	URG2PV40T*N	URG2PV50T*N
26 Natural Gas (N) Main Burner Assembly ***	265-48329-01-37	265-48329-02-37	265-48329-05-37	265-48329-01-37
27 Screw #8-18 x 1/2 HWH	239-37261-00	239-37261-00	239-37261-00	239-37261-00
28 Pilot Assembly**	265-48175-04	265-48175-04	265-48175-04	265-48175-04
Pilot Assembly w/ inner door gasket kit	265-51574-00	265-51574-00	265-51574-00	265-51574-00
29 Burner**	228-48383-18	228-48383-20	228-48383-16	228-48383-18
30 Screw #6-20 x 3/8 PHCR	239-43967-00	239-43967-00	239-43967-00	239-43967-00
31 Manifold Mount	239-46201-00	239-46201-00	239-46201-00	239-46201-00
32 Thermal Switch	239-43676-03	239-43676-03	239-43676-03	239-43676-03
33 FVIR Sensor Plate	239-48341-00	239-48341-00	239-48341-00	239-48341-00
34 Screw #8-18 x 3/4 HWH SLOT	239-44195-00	239-44195-00	239-44195-00	239-44195-00
35 Flammable Vapor Sensor Clip	239-45648-00	239-45648-00	239-45648-00	239-45648-00
36 Flammable Vapor Sensor	239-45560-00	239-45560-00	239-45560-00	239-45560-00
37 Nat. Gas (N) Main Burner Orifice 0 Ft. to 2,000 Ft. **	234-18194-37	234-18194-37	234-18194-37	234-18194-37
Nat. Gas (N) High Altitude Orifice 0 ft. to 7,000 Ft. (-475 model suffixes) **	234-18194-42	234-18194-42	234-18194-42	234-18194-42
Nat. Gas (N) High Altitude Orifice Kit 7,001 Ft. to 10,000 Ft.	265-51320-02-43	265-51320-02-43	265-51320-04-43	265-51320-04-43
38 Flexible Gas Feedline	233-46930-01	233-46930-01	233-46930-01	233-46930-01



BRADFORD WHITE®

W A T E R H E A T E R S

Ambler, PA

For U.S. and Canada field service,
contact your professional installer or
local Bradford White sales representative.

Sales/800-523-2931

Technical Support/800-334-3393
Email/techserv@bradfordwhite.com

Warranty/800-531-2111
Email/warranty@bradfordwhite.com

Service Parts/800-538-2020
Email/Parts@bradfordwhite.com

International:
international@bradfordwhite.com



BRADFORD WHITE®

CANADA

Halton Hills, Ontario, Canada

Sales & Technical Support/866-690-0961
905-203-0600

Fax/905-636-0666

Email

Warranty/bwccwarranty@bradfordwhite.com
Technical Support/BWCCTech@bradfordwhite.com
Parts/orders@bradfordwhitecanada.com
Orders/ca.orders@bradfordwhite.com

www.bradfordwhite.com