



BRADFORD WHITE®

W A T E R H E A T E R S

Residential & Light Duty Commercial Gas Replacement Parts List

Ultra Low Nox Power Direct Vent “PDV” Models



Models Covered:
URG2PDV(40,50)S*N
URG2PDV50H*N
ULG2PDV50H50*N
***Denotes warranty year**

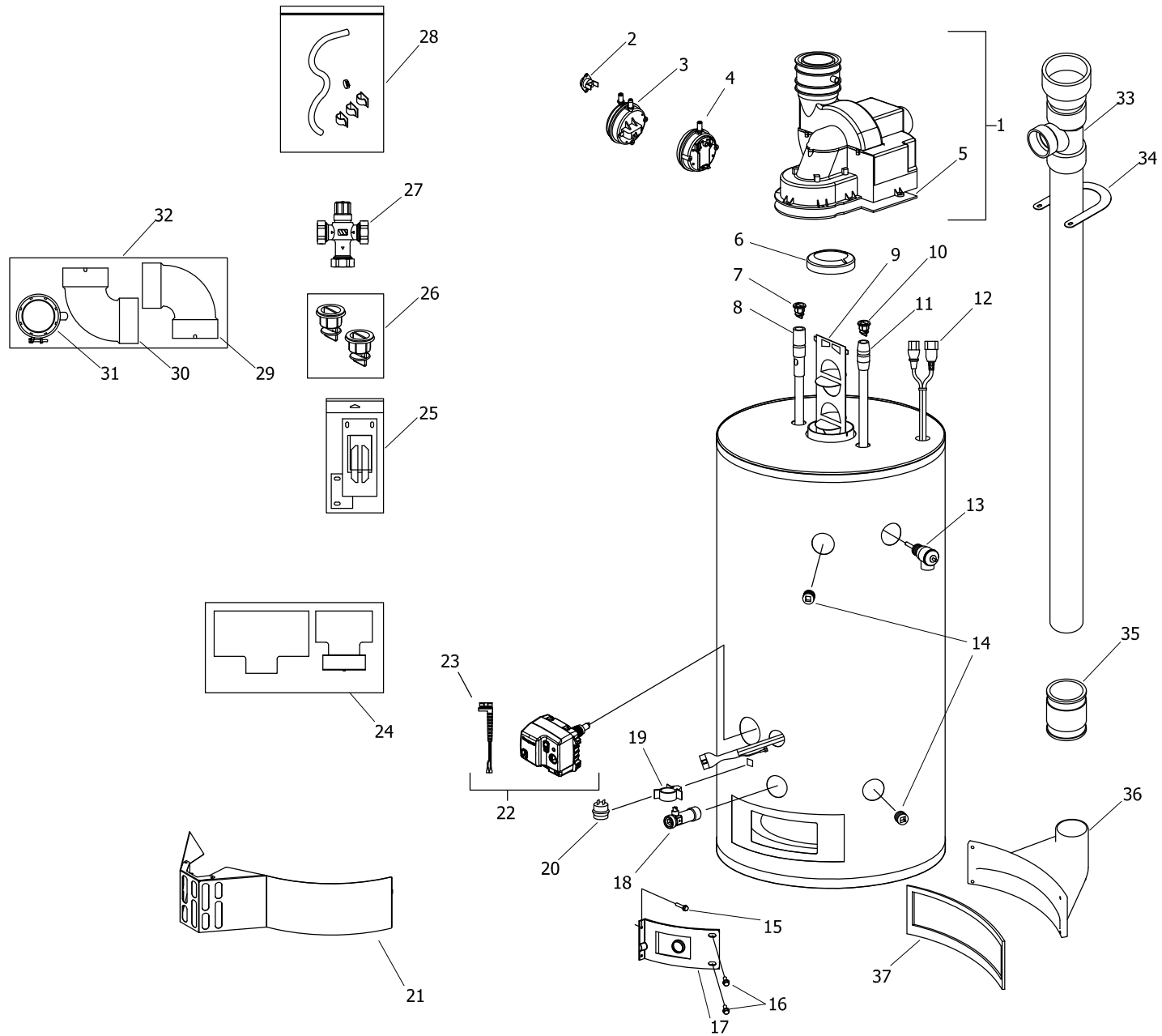
Effective: January, 2023
ECO 8248-3

**NOTE: BOTH MODEL AND SERIAL
NUMBERS ARE REQUIRED FOR
ORDERING REPLACEMENT PARTS**

Dimensions and specifications
subject to change without notice.



As required by the state of California Proposition 65.



Item	Description	Model	Model	Model	Model
		URG2PDV40S*N	URG2PDV50S*N	URG2PDV50H*N	ULG2PDV50H50*N
1	Blower Assembly 0 Ft. to 2,000 Ft. (Normal Alt.)	415-47386-00	415-47386-00	415-47387-00	415-47387-00
	Blower Assembly 2,100 Ft. to 7,000 Ft. (High Alt.)	239-48527-00	239-48527-00	239-48528-00	239-48528-00
2	Blower Temperature Switch	415-48752-00	415-48752-00	415-48752-00	415-48752-00
3	Pressure Switch N.O. (Normal Alt.) Exhaust	415-48058-01	415-48058-01	415-48058-01	415-48058-01
	Pressure Switch N.O. (High Alt.) Exhaust	415-48058-02	415-48058-02	415-48058-02	415-48058-02
4	Pressure Switch N.C. Intake	415-46879-01	415-46879-01	415-46879-01	415-46879-01
5	Blower Gasket	239-45866-00	239-45866-00	239-45866-00	239-45866-00
6	Flue Reducer	---	---	243-42572-00	243-42572-00
7	Heat Trap Insert (Outlet)	415-45167-00	415-45167-00	415-45167-00	415-45167-00
8	Hot Water Outlet Anode (Magnesium) ▲#	415-47776-19	415-47776-19	415-47776-19	415-47776-19
	Hot Water Outlet Anode (Aluminum)▲#	415-32999-42	415-32999-42	415-32999-42	415-32999-42
	Hot Water Outlet Anode (A420 Aluminum) ▲#	415-49560-08	415-49560-10	415-49560-08	415-49560-08
9	Flue Baffle	243-45372-00	243-45372-00	239-45373-00	239-45373-00
10	Heat Trap Insert (Inlet)	415-51556-00	415-51556-00	415-51556-00	415-51556-00
11	Cold Water Inlet Dip Tube (PEX)▲▲	229-53466-02	415-51230-20	229-51230-26	415-51230-29
12	Blower Harness	239-45617-03	239-45617-03	239-45617-02	239-45617-02
13	T&P Relief Valve	415-40594-02	415-40594-02	415-40594-02	415-40594-02
14	3/4 NPT Plug	---	---	239-11638-00	239-11638-00
15	Screw-#8-15 x 3/4 HWH	239-44195-00	239-44195-00	239-44195-00	239-44195-00
16	Screw-#10-12 x 3/4 HWH	239-44113-00	239-44113-00	239-44113-00	239-44113-00
17	Right Side Inner Door	239-48216-18	239-48216-20	239-48216-18	239-48216-18
18	Brass Drain Valve	415-42351-02	415-42351-02	415-42351-02	415-42351-02
19	Flammable Vapor Sensor Clip	239-45648-00	239-45648-00	239-45648-00	239-45648-00
20	Kit-Flammable Vapor Sensor (2 PCS.)	415-45560-00	415-45560-00	415-45560-00	415-45560-00
21	Outer Door	239-46209-00	239-46209-00	239-46209-00	239-46209-00
22	Gas Valve Direct Replacement Kit (NAT)	239-49823-02	239-49823-02	239-49823-02	239-49823-04
23	Sensor Harness	239-49791-00	239-49791-00	239-49791-00	239-49791-00
24	Air Inlet Relief Device	239-48391-00	239-48391-00	239-48392-00	239-49392-00
25	Inner Door Gasket Kit	239-51576-00	239-51576-00	239-51576-00	239-51576-00
26	Heat Trap Insert Kit (Inlet & Outlet)	265-51572-00	265-51572-00	265-51572-00	265-51572-00
27	ASSE Approved Mixing Valve (Optional)	239-51778-00	239-51778-00	239-51778-00	239-51778-00
28	Condensate Hose Kit (Optional)	415-45875-00	415-45875-00	415-45875-00	415-45875-00
29	Intake Vent Terminal Elbow	415-39831-00	415-39831-00	415-40579-00	415-40579-00
30	Exhaust Vent Terminal Elbow	415-39831-00	415-39831-00	415-40579-00	415-40579-00
31	Exhaust Adapter	239-45709-00	239-45709-00	239-45709-00	239-45709-00
32	Vent Adapter with Vent Terminal	239-47992-00	239-47992-00	239-48781-00	239-48781-00
33	Tee and Vent Pipe Assembly	239-51391-02	239-51391-01	239-47622-01	239-47622-01
34	Bracket-Vertical intake	239-47671-02	239-47671-02	239-47671-01	239-47671-01
35	Coupling-2 X 2	239-47850-00	239-47850-00	239-47850-00	239-47850-00
36	Air Intake Boot	239-47514-18	239-47514-20	239-47514-18	239-47514-18
37	Air Intake Boot Gasket**	239-47832-00	239-47832-00	239-47832-00	239-47832-00

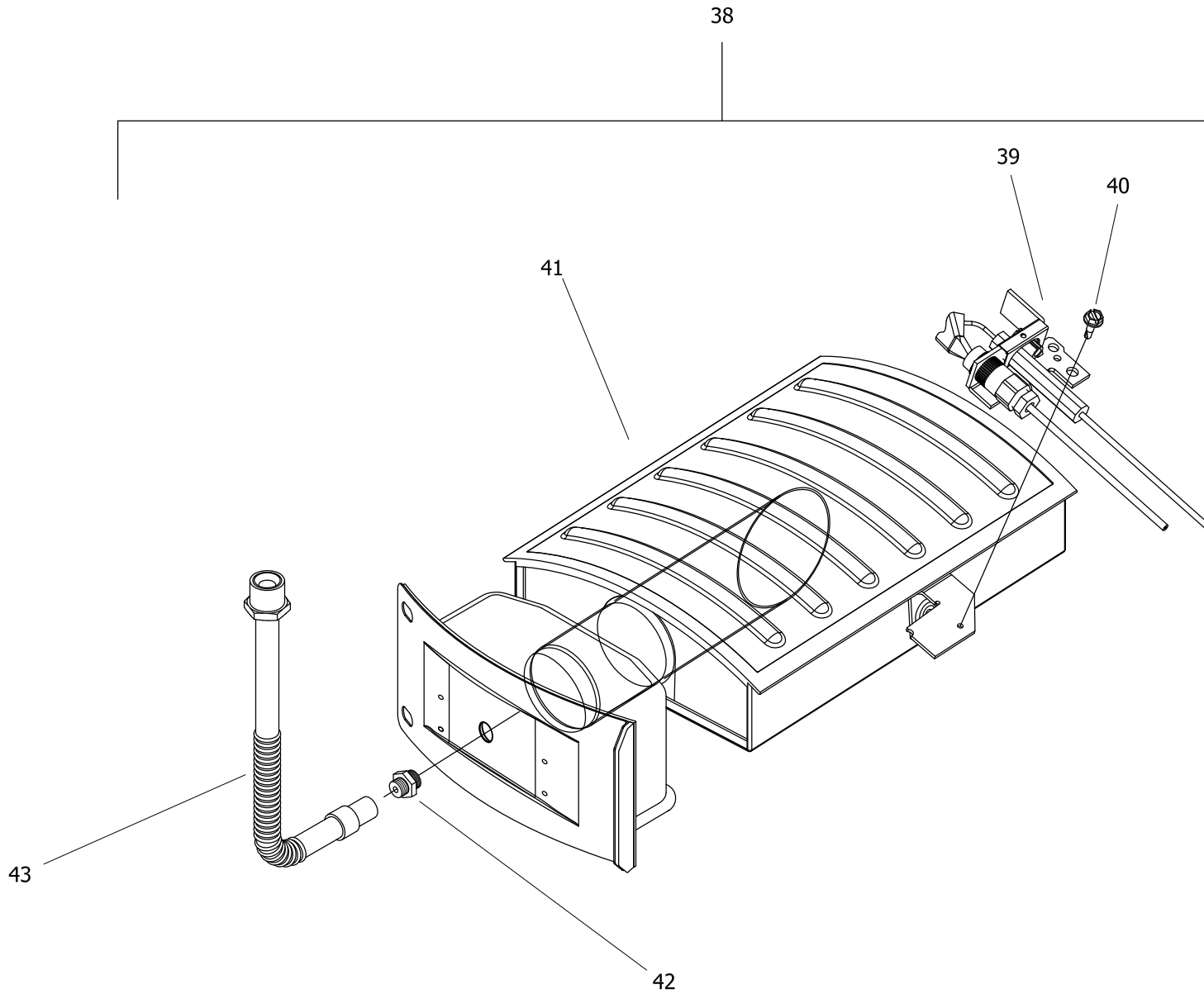
*Applies to all warranties

Anode may need to be cut to length

▲ Order with item 7

▲▲ Order with item 10

**Comes with item 36



NATURAL GAS (BN) BURNER ASSEMBLY

Item Description	Model URG2PDV40S*N	Model URG2PDV50S*N	Model URG2PDV50H*N	Model ULG2PDV50H50*N
Natural Gas BN Burner Assembly				
38 Nat. Gas Burner Assembly Complete***	265-51016-01-37	265-51016-02-37	265-48801-03-33	265-48801-03-33
39 Nat. Gas Pilot Assembly**	265-50195-01	265-50195-01	265-48175-04	265-48175-04
Nat. Gas Pilot Assembly with inner door gasket kit	265-51766-00	265-51766-00	265-51574-00	265-51574-00
40 Screw-#8-18 x 1/2	239-32761-00	239-32761-00	239-32761-00	239-32761-00
41 Nat. Gas (N) Burner**	228-48691-23	228-48691-24	228-48691-19	228-48691-19
42 Nat. Gas (N) Main Burner Orifice 0 F.t to 2,000 Ft.**	234-18194-37	234-18194-37	234-18194-33	234-18194-33
Nat. Gas (N) High Altitude 2,100 Ft. to 7,000 Ft.**	234-18194-42	234-18194-42	234-18194-38	234-18194-38
Nat. Gas (N) High Altitude 7,001-10,000 Ft.	265-51320-03-43	265-51320-03-43	265-51320-03-41	265-51320-03-41
43 Nat. Gas Universal Feedline**	233-49398-02	233-49398-02	233-49398-02	233-49398-02

*Applies to all warranties

**Inner door gasket kit recommended

***Ordering a complete burner assembly may increase delivery time. Please order the specific component required for the quickest delivery.

Reference Chart of Anode Length by Model

Model	AOD Anode Cut Length (End to end)	
	Inches	Millimeters
URG2PDV40S*N	36.13	918
URG2PDV50S*N	39.13	994
URG2PDV50H*N	47.63	1210
ULG2PDV50H50*N	47.63	1210



United States

Sales 800-523-2931

Technical Support 800-334-3393

Email techserv@bradfordwhite.com

Warranty 800-531-2111

Email warranty@bradfordwhite.com

Service Parts 800-538-2020

Email parts@bradfordwhite.com

Canada

Sales & Technical Support 866-690-0961 905-203-0600

Fax 905-636-0666

Warranty bwccwarranty@bradfordwhite.com

Technical Support bwccotech@bradfordwhite.com

Service Parts orders@bradfordwhitecanada.com

Orders ca.orders@bradfordwhite.com

For U.S. and Canada field service,
contact your professional installer or
local Bradford White sales representative.

International

General Contact international@bradfordwhite.com