

Residential Damper Ultra Low NOx Gas Water Heater



Photo is of
URG1D50T6N

The FVIR Eco-Defender Safety System® Models Feature:

- **Bradford White ICON System™**—Intelligent gas control with spark to pilot ignition system eliminates the constant burning pilot. This results in savings of pilot gas during standby periods (120 V.A.C.).
 - **Enhanced Performance**—Proprietary algorithms provide enhanced First Hour Delivery ratings and tighter temperature differentials.
 - **Advanced Temperature Control System**—Microprocessor constantly monitors and controls burner operation to maintain consistent and accurate water temperature levels.
 - **Intelligent Diagnostics**—An exclusive green LED light prompts the installer during start-up and provides ten different diagnostic codes to assist in troubleshooting.
 - **Pilot On Indication**—Flashing green LED provides positive indication that pilot is on.
 - **Separate Immersed Thermowell**—High-strength advanced polymer composite thermowell provides isolation between electric temperature sensor and surrounding water. No need to drain the tank when removing gas valve.
- **Automatic Flue Damper**—Reduces standby heat loss, resulting in less gas consumption, higher energy factor ratings, and improved overall efficiency.
 - Ten Foot Power Cord—Included (120 VAC).
- **Defender Combustion Chamber**—Incorporates the Advanced ScreenLok® Technology Flame Arrestor and large split-door design to prevent ignition of flammable vapors outside the water heater.
- **Ultra Low NOx Burner with Primary and Secondary Air Distribution Devices**—Ensures proper air to gas ratio for reduction of NOx generated by the combustion process.
- **Digital Thermal Sensor and Resettable Thermal Switch**—Coordinates with self diagnostic control to prevent water heater operation when needed.
- **Maintenance-Free**—No regular cleaning of air inlet openings or flame arrestor is required under normal conditions.
- **Sight Window**—Offers a view into the combustion chamber to observe the operation of the pilot and burner.
- **Factory-Installed Hydrojet® Total Performance System**—Cold water inlet sediment reducing device helps prevent sediment build-up in tank. Increases first hour delivery of hot water while minimizing temperature build-up in tank.
- **Vitraglas® Lining**—Bradford White tanks are lined with an exclusively engineered enamel formula that provides superior tank protection from the highly corrosive effects of hot water. This formula (Vitraglas®) is fused to the steel surface by firing at a temperature of over 1600°F (871°C).
- **1" Non-CFC Foam Insulation**—Covers the sides and top of tank, reducing the amount of heat loss. This results in less energy consumption, improved operation efficiencies, and jacket rigidity.
- **Pedestal Base**—Rugged and durable base allows easy transport and positioning while providing corrosion-resistant contact with floor.
- **Water Connections**—3/4" NPT factory-installed true dielectric fittings extend water heater life and ease installation.
- **Factory-Installed Heat Traps**—Design incorporates a flexible disk that reduces heat loss in piping and eliminates the potential for noise generation.
- **Protective Magnesium Anode Rod**—Provides added protection against corrosion for long trouble-free service.
- **3x4 "Snap Lock" Draft Diverter**—Allows either 3" or 4" vent connections.
- **T&P Relief Valve**—Installed.
- **Low Restriction Brass Drain Valve**—Durable tamper-proof design.
- **Design Certified by CSA International (formerly AGA and CGA).**
- **Complies with the latest Ultra Low NOx requirement (10 ng/J NOx limit).**

FEATURING:



AUDI



6 or 10-Year Limited Tank Warranties / 6 or 10-Year Limited Warranty on Component Parts.

For more information on warranty, please visit www.bradfordwhite.com

For products installed in USA, Canada and Puerto Rico. Some states do not allow limitations on warranties. See complete copy of the warranty included with the heater.

Residential Atmospheric Vent Gas Water Heater

Ultra Low NOx Damper Models

NATURAL GAS

Meet or exceed ASHRAE 90.1b (current standard) C.E.C. Listed
Recovery efficiency ranging up to 78%

| Model Number | Capacity | | Nat. BTU/Hr. Input | 1st Hour Rating (Gal.) | Energy Factor | Recovery at 90°F Rise* | | A Floor to Flue Conn. in. | B Jacket Dia. in. | C Vent Size in. | D Floor to T&P Conn. in. | E Floor to Gas Conn. in. | F Floor to Water Conn. in. | G Depth in. | Approx. Shipping Weight lbs. |
|--------------|-----------|-----------|--------------------|------------------------|---------------|------------------------|---------------|----------------------------------|-------------------|-----------------|--------------------------------|--------------------------------|--------------------------------|--------------------------------|------------------------------|
| | U.S. Gal. | Imp. Gal. | | | | Nat. U.S. GPH | Nat. Imp. GPH | | | | | | | | |
| URG1D30T6N | 30 | 25 | 32,000 | 58 | 0.65 | 34 | 25 | 63 | 16 | 3x4 | 49 ⁷ / ₈ | 11 ³ / ₄ | 57 ¹ / ₈ | 20 ³ / ₄ | 120 |
| URG1D40S6N | 40 | 33 | 40,000 | 74 | 0.62 | 43 | 36 | 54 ¹³ / ₁₆ | 20 | 3x4 | 41 | 11 ³ / ₄ | 49 ¹ / ₈ | 24 ³ / ₄ | 151 |
| URG1D40T6N | 40 | 33 | 40,000 | 76 | 0.62 | 43 | 36 | 63 ⁹ / ₁₆ | 18 | 3x4 | 50 ¹ / ₈ | 11 ³ / ₄ | 57 ¹ / ₂ | 22 ³ / ₄ | 138 |
| URG1D50T6N | 50 | 42 | 40,000 | 89 | 0.60 | 54 | 45 | 63 ³ / ₈ | 20 | 3x4 | 49 ⁷ / ₈ | 11 ³ / ₄ | 57 ⁷ / ₈ | 24 ³ / ₄ | 164 |

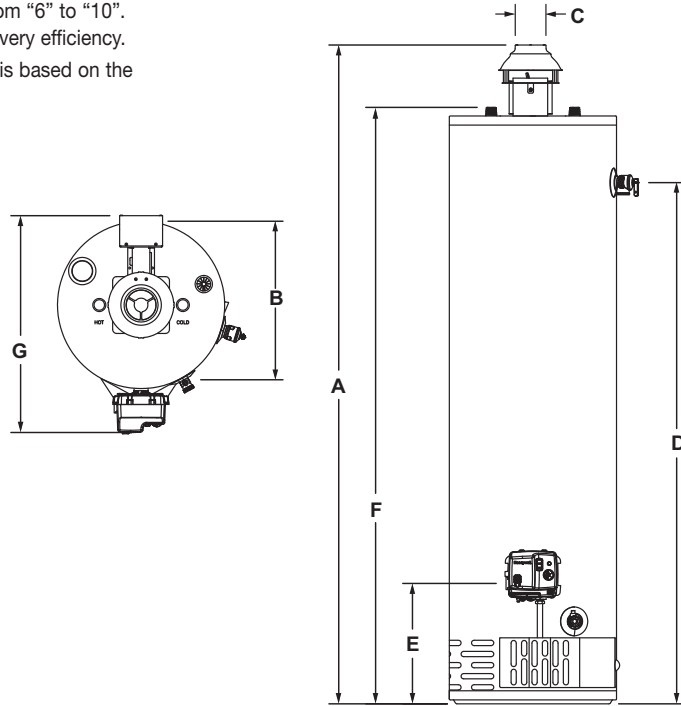
| Model Number | Capacity | | Nat. kW Input | 1st Hour Rating (Liters) | Energy Factor | Recovery at 50°C Rise* | | A Floor to Flue Conn. mm. | B Jacket Dia. mm. | C Vent Size mm. | D Floor to T&P Conn. mm. | E Floor to Gas Conn. mm. | F Floor to Water Conn. mm. | G Depth mm. | Approx. Shipping Weight kg. |
|--------------|----------|--|---------------|--------------------------|---------------|------------------------|--|---------------------------|-------------------|-----------------|--------------------------|--------------------------|----------------------------|-------------|-----------------------------|
| | Liters | | | | | Nat. Liters/Hour | | | | | | | | | |
| URG1D30T6N | 114 | | 9.4 | 220 | 0.65 | 124 | | 1600 | 406 | 76x102 | 1267 | 298 | 1451 | 527 | 54 |
| URG1D40S6N | 151 | | 11.7 | 280 | 0.62 | 163 | | 1392 | 508 | 76x102 | 1041 | 298 | 1248 | 629 | 68 |
| URG1D40T6N | 151 | | 11.7 | 288 | 0.62 | 163 | | 1614 | 457 | 76x102 | 1273 | 298 | 1451 | 578 | 63 |
| URG1D50T6N | 159 | | 11.7 | 337 | 0.60 | 163 | | 1610 | 508 | 76x102 | 1267 | 298 | 1470 | 629 | 74 |

Available in Natural Gas only.

For 10 year models, change suffix from "6" to "10".

*Based on manufacturer's rated recovery efficiency.

Energy Factor and First Hour Rating is based on the latest AHRI directory listings.



General: Meets NAECA Requirements.

All gas water heaters are certified at 300 PSI test pressure (2068 kPa) and 150 PSI working pressure (1034 kPa). All water connections are 3/4" NPT (19mm) on 8" (203mm) centers. All Gas Connections are 1/2" (13mm).

All models design-certified by CSA International (formerly AGA/CGA), to meet ANSI standard Z-21.10.1 and peak performance rated.

Dimensions and specifications subject to change without notice in accordance with our policy of continuous product improvement.

Suitable for Water (Potable) Heating and Space Heating.

Toxic chemicals, such as those used for boiler treatment, shall NEVER be introduced into this system. This unit may NEVER be connected to any existing heating system or component(s) previously used with a non-potable water heating appliance.



For U.S. and Canada field service, contact your professional installer or local Bradford White sales representative.

Sales 800-523-2931 • Fax 215-641-1670 / Technical Support 800-334-3393 • Fax 269-795-1089 • Warranty 800-531-2111 • Fax 269-795-1089

International: Telephone 215-641-9400 • Telefax 215-641-9750 / www.bradfordwhite.com

BRADFORD WHITE-CANADA INC. Sales / Technical Support 866-690-0961 / 905-238-0100 • Fax 905-238-0105 / www.bradfordwhite.com

Built to be the Best™

©2015, Bradford White Corporation. All rights reserved.