

  
**BRADFORD WHITE**<sup>®</sup>  
W A T E R   H E A T E R S

**REPLACEMENT PARTS LIST**  
**Ultra Low NOx**  
**Residential Gas Atmospheric Vent**  
**Damper Models**

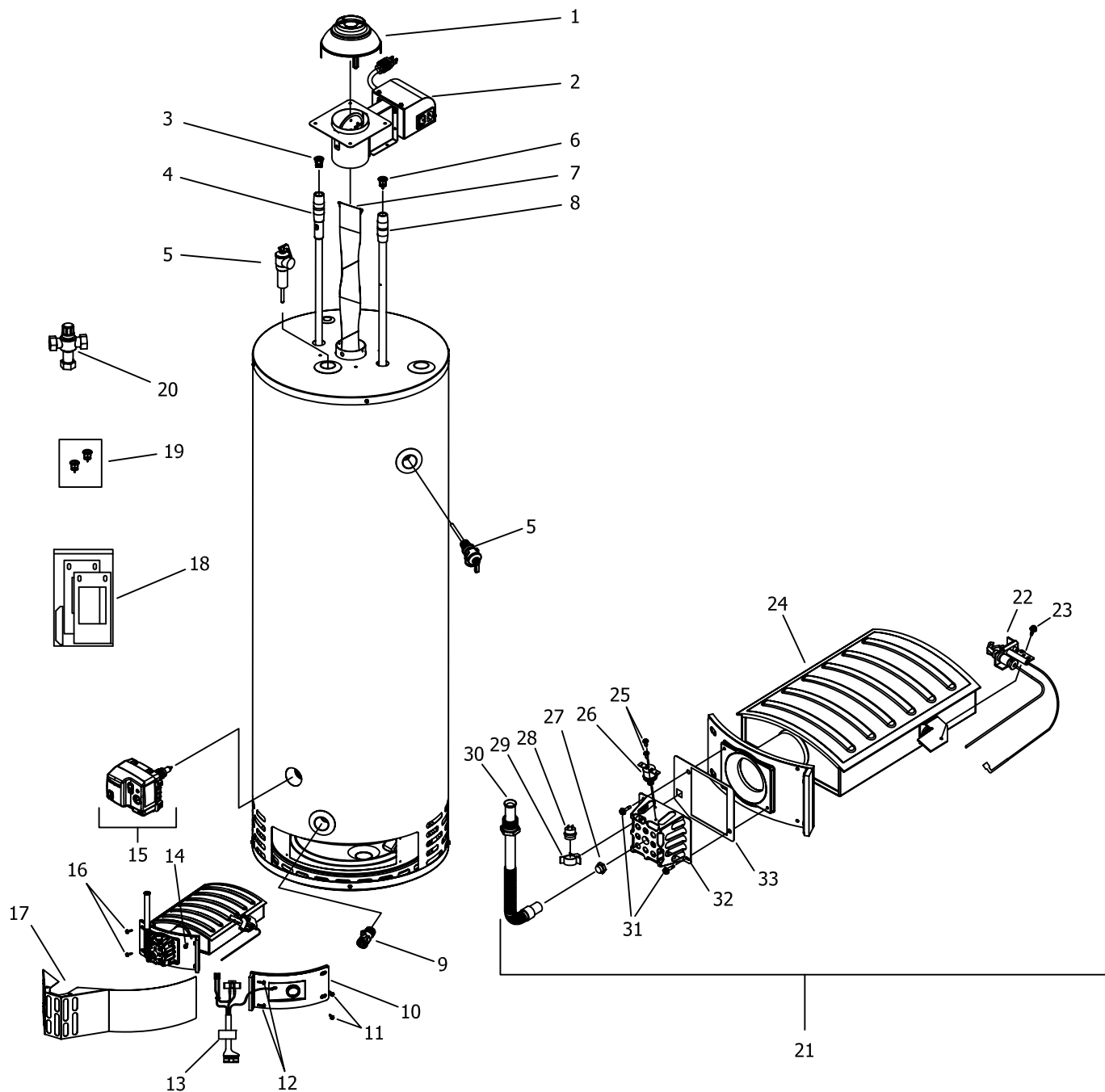


Includes Hydrojet<sup>®</sup>  
Total Performance System

**Effective: April, 2015**  
**ECO 7950**

**NOTE: BOTH MODEL AND SERIAL  
NUMBERS ARE REQUIRED FOR  
ORDERING REPLACEMENT PARTS**

Dimensions and specifications  
subject to change without notice.



Item	Description	Model	Model	Model	Model
		URG1D30T*N	URG1D40S*N	URG1D40T*N	URG1D50T*N
1	Draft Diverter	243-45787-00	243-45787-00	243-45787-00	243-45787-00
2	Flue Damper	239-50659-00	239-50659-00	239-50659-00	239-50659-00
3	Heat Trap Insert (Outlet)	239-45167-00	239-45167-00	239-45167-00	239-45167-00
4	Hot Water Outlet Anode (Magnesium) ▲▲	224-47776-19	224-47776-19	224-47776-19	224-47776-19
	Hot Water Outlet Anode (Aluminum) ▲▲	224-32999-42	224-32999-42	224-32999-42	224-32999-42
	Hot Water Outlet Anode (A420 Aluminum) ▲▲ #	224-49560-08	224-49560-08	224-49560-08	224-49560-08
5	T&P Relief Valve	230-40594-02	230-40594-02	230-40594-02	230-40594-02
6	Heat Trap Insert (Inlet)	239-51556-00	239-51556-00	239-51556-00	239-51556-00
7	Flue Baffle	243-44639-00	243-51285-00	243-50065-03	243-44705-00
8	Cold Water Inlet Dip Tube (PEX) ▲	229-51230-19	229-51230-24	229-51230-21	229-51230-18
9	Drain Valve (Brass)	265-42351-02	265-42351-02	265-42351-02	265-42351-02
10	Inner Door Right Side Assembly	239-50664-01	239-50664-03	239-50664-02	239-50664-03
11	Screw #10-12 X 3/4 HWH (2 req'd)	239-44113-00	239-44113-00	239-44113-00	239-44113-00
12	Screw #8-15 X 3/4 INHXWS (2 req'd)	239-44195-00	239-44195-00	239-44195-00	239-44195-00
13	ULN FV sensor, RTD & thermal switch harness	239-49720-00	239-49720-00	239-49720-00	239-49720-00
14	Screw #8-15 X 3/4 INHXWS (2 req'd)	239-44195-00	239-44195-00	239-44195-00	239-44195-00
15	Gas Control Kit	222-49008-01	222-49008-01	222-49008-01	222-49008-01
16	Screw #10-12 X 3/4 HWH (2 req'd)	239-44113-00	239-44113-00	239-44113-00	239-44113-00
17	Outer Door	239-46209-00	239-46209-00	239-46209-00	239-46209-00
18	Kit-Inner Door Gasket	239-51576-00	239-51576-00	239-51576-00	239-51576-00
19	Kit-Heat Trap Insert	265-51572-00	265-51572-00	265-51572-00	265-51572-00
20	ASSE Approved Mixing Valve (Optional)	239-43740-01	239-43740-01	239-43740-01	239-43740-01
21	Burner Assembly (normal alt.)** ***	265-48329-06-42	265-48329-01-36	265-48329-05-36	265-48329-01-36
	Burner Assembly High Altitude 0 Ft. to 7,000 Ft. (-475 model suffixes)** ***	265-48329-06-44	265-48329-01-41	265-48329-05-41	265-48329-01-41
22	Pilot assembly kit without door gaskets**	265-48175-04	265-48175-04	265-48175-04	265-48175-04
	Pilot Assembly kit with door gaskets	265-51547-00	265-51547-00	265-51547-00	265-51547-00
23	Screw #8-18 X 1/2 HWH (1 req'd)	239-32761-00	239-32761-00	239-32761-00	239-32761-00
24	Burner **	228-48383-14	228-48383-18	228-48383-16	228-48383-18
25	Screw #6-20 X 3/8 PHCR (2 req'd)	239-43967-00	239-43967-00	239-43967-00	239-43967-00
26	Thermal Switch	239-43676-03	239-43676-03	239-43676-03	239-43676-03
27	Main Burner Orifice 0 Ft. to 2,000 Ft.**	234-18194-42	234-18194-36	234-18194-36	234-18194-36
	Main Burner High Altitude Orifice 0 Ft. to 7,000 Ft. (-475 model suffixes) **	234-18194-44	234-18194-41	234-18194-41	234-18194-41
	Main Burner High Altitude Orifice Kit 7,001 Ft. to 10,000 Ft.	265-51320-01-47	265-51320-01-43	265-51320-01-43	265-51320-01-43
28	FVIR sensor	239-45560-00	239-45560-00	239-45560-00	239-45560-00
29	FVIR sensor clip	239-45648-00	239-45648-00	239-45648-00	239-45648-00
30	Flexible Gas Feedline	233-46930-01	233-46930-01	233-46930-01	233-46930-01
31	Screw #8-15 X 3/4 INHXWS (2 req'd)	239-44195-00	239-44195-00	239-44195-00	239-44195-00
32	Manifold Mount	239-46201-00	239-46201-00	239-46201-00	239-46201-00
33	FVIR sensor mount plate	239-48341-00	239-48341-00	239-48341-00	239-48341-00

\*Applies to all warranties

\*\*Inner door gasket kit recommended

\*\*\*Ordering a complete burner assembly may increase delivery time. Please order the specific component required for the quickest delivery.

▲ Order with item 6

▲▲ Order with item 3

# Anode may need to be cut to length





# **BRADFORD WHITE®**

W A T E R H E A T E R S

Ambler, PA

For U.S. and Canada field service,  
contact your professional installer or  
local Bradford White sales representative.

**Sales/800-523-2931**  
**Fax/215-641-1670**  
**Parts Fax/215-641-2180**

**Technical Support/800-334-3393**  
**Fax/269-795-1089**

**Warranty/800-531-2111**  
**Fax/269-795-1089**

**International:**  
**Telephone/215-641-9400**  
**Telefax/215-641-9750**



# **BRADFORD WHITE-CANADA® INC.**

Mississauga, ON

**Sales/866-690-0961**  
**905-238-0100**

**Fax/905-238-0105**

**Technical Support/800-334-3393**

**Email**

**parts@bradfordwhite.com**  
**techserv@bradfordwhite.com**

**www.bradfordwhite.com**