



RESIDENTIAL GAS REPLACEMENT PARTS LIST

Manufactured Home Direct Vent “RG2DVMH” Models



Models Covered:

RG2DVMH30T*(N,X)

RG2DVMH40T*(N,X)

(*) Denotes Warranty Years

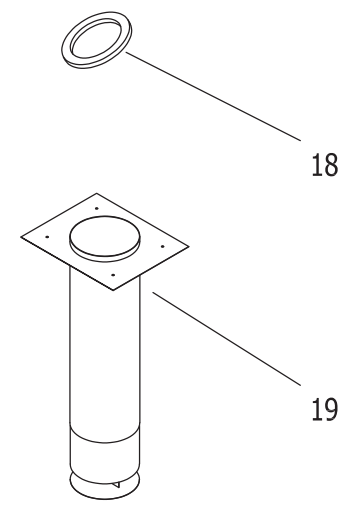
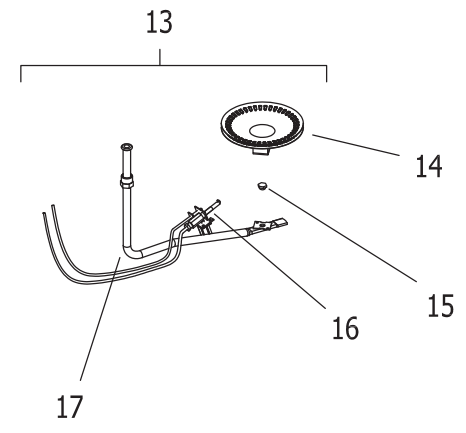
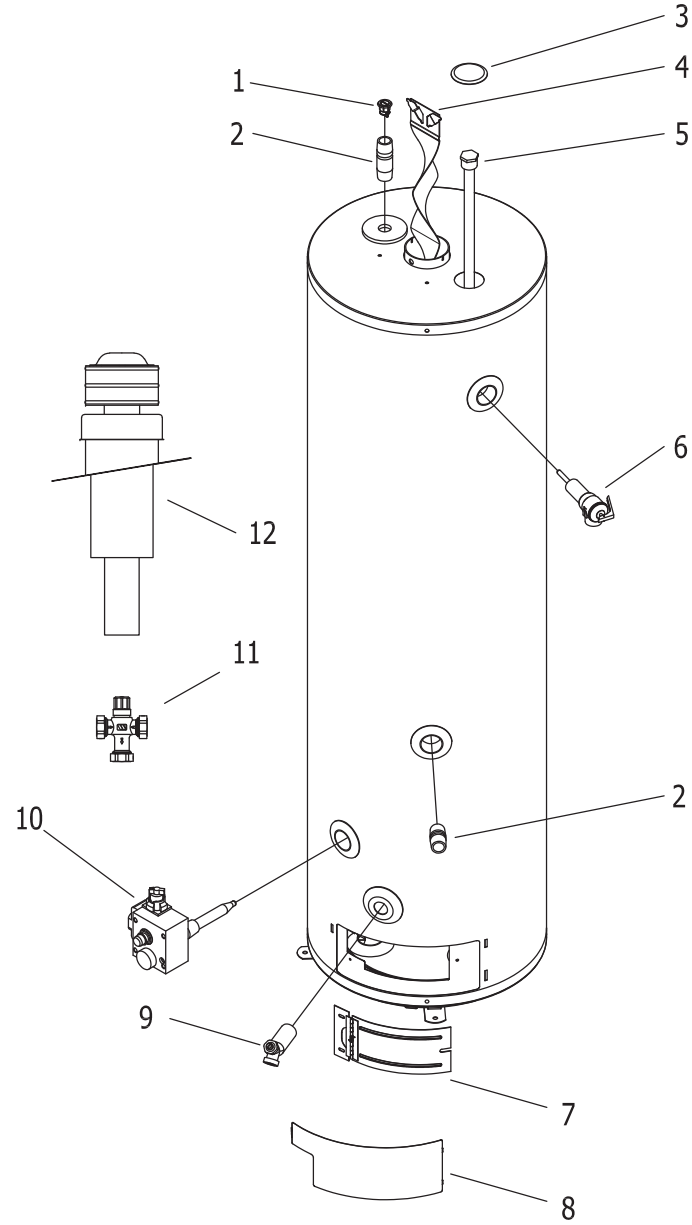
Effective: August, 2020
ECO 8255

**NOTE: BOTH MODEL AND SERIAL
NUMBERS ARE REQUIRED FOR
ORDERING REPLACEMENT PARTS**

Dimensions and specifications
subject to change without notice.



As required by the state of California Proposition 65.



Item	Description	Model	Model
		RG2DVMH30T*(N,X)	RG2DVMH40T*(N,X)
1	Heat Trap Insert (Outlet)	239-45167-00	239-45167-00
2	Nipple Outlet 3/4 NPT X 3	229-50053-03	229-50053-03
3	Hole Closure	239-31547-02	239-31547-02
4	Flue Baffle	243-37307-00	243-37307-00
5	Hex Anode (Magnesium) #	224-47782-08	224-47782-08
	Hex Anode (A420 Aluminum) #	224-49559-04	224-49559-04
6	T&P Valve	230-40594-02	230-40594-02
7	Inner Door Assembly	243-42658-00	243-42658-00
8	Outer Door	243-41061-00	243-41061-00
9	Brass Drain Valve	265-42351-02	265-42351-02
10	Nat. Gas Thermostat (W.R.)***	265-40595-03	265-40595-03
	L.P. Gas Thermostat (W.R.)***	265-40595-04	265-40595-04
11	ASSE Approved Mixing Valve (Optional)	239-51778-00	239-51778-00
12	Roof Jack 12" (Fixed)	415-37022-01	415-37022-01
	Roof Jack 18-32" (Adjustable)	415-37022-02	415-37022-02
	Roof Jack 32-60" (Adjustable)	415-37022-03	415-37022-03
	Roof Jack 48-95" (Adjustable)	415-37022-04	415-37022-04
13	Nat. Gas Burner Assembly Complete***	265-43980-02-40	265-43980-03-40
	LP Gas Burner Assembly Complete***	265-43981-02-52	265-43981-03-52
14	Gas Burner	228-41174-00	228-41174-00
15	Nat. Gas Main Burner Orifice 0 Ft. to 2,000 Ft.	234-37171-40	234-37171-40
	Nat. Gas High Altitude 2,001 Ft. to 7,000 Ft. (-475 model suffixes)	234-37171-43	234-37171-43
	LP Gas Main Burner Orifice 0 Ft. to 2,000 Ft.	234-37171-52	234-37171-52
	LP Gas High Altitude 2,001 Ft. to 7,000 Ft. (-475 model suffixes)	234-37171-53	234-37171-53
16	Nat. Gas Pilot Assembly	233-40248-05	233-40248-05
	LP Gas Pilot Assembly	233-40261-03	233-40261-03
17	Gas Feedline	233-41819-04	233-41819-05
	LP to Nat Gas Conversion Kit	243-36998-04	243-36998-04
	LP to Nat Gas Conversion Kit for 2,001 Ft. to 7,000 Ft. (-475 model suffixes)	243-36998-05	243-36998-06
	Nat to LP Gas Conversion Kit	243-36999-07	243-36999-07
	Nat to LP Gas Conversion Kit for 2,001 Ft. to 7,000 Ft. (-475 model suffixes)	243-36999-08	243-36999-09
18	Air Intake Kit Gasket	265-41135-00	265-41135-00
19	Telescoping Air Intake Kit	265-41142-00	265-41142-00

* Applies to all warranties

*** Ordering a complete burner assembly may increase delivery time.
Please order the specific component required for the quickest delivery.

Anode may need to be cut to length

Reference Chart of Anode Length by Model

Model	AOD Anode Cut Length (End to end)	
	Inches	Millimeters
RG2DVMH30T*(N,X)	32	813
RG2DVMH40T*(N,X)	40	1016



United States

Sales 800-523-2931

Technical Support 800-334-3393

Email techserv@bradfordwhite.com

Warranty 800-531-2111

Email warranty@bradfordwhite.com

Service Parts 800-538-2020

Email parts@bradfordwhite.com

Canada

Sales & Technical Support 866-690-0961 905-203-0600

Fax 905-636-0666

Warranty bwccwarranty@bradfordwhite.com

Technical Support bwccotech@bradfordwhite.com

Service Parts orders@bradfordwhitecanada.com

Orders ca.orders@bradfordwhite.com

For U.S. and Canada field service,
contact your professional installer or
local Bradford White sales representative.

International

General Contact international@bradfordwhite.com