



# RESIDENTIAL GAS REPLACEMENT PARTS LIST

## Super High Efficiency Atmospheric Vent “RG2F” Models



**Models Covered:**  
RG2F40S  
RG2F50S

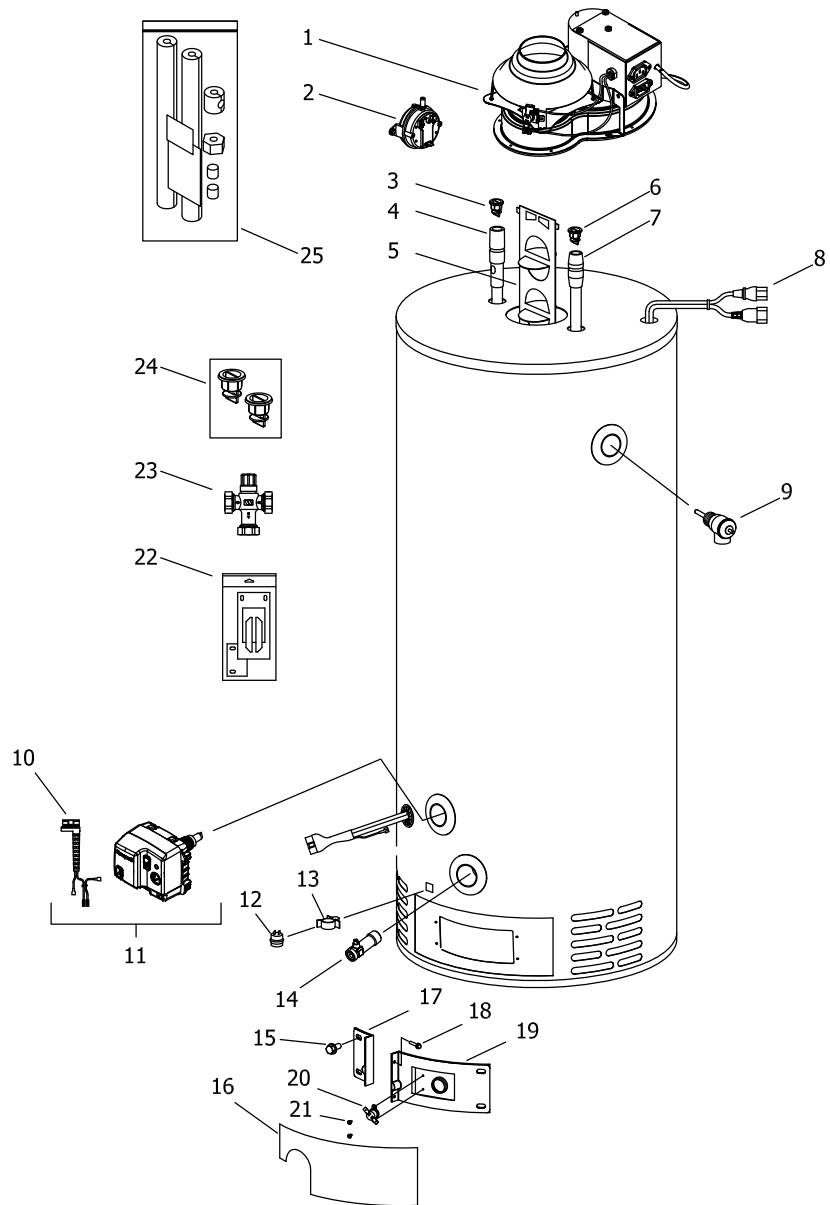
***Effective: January, 2023***  
***ECO 8248-3***

**NOTE: BOTH MODEL AND SERIAL NUMBERS ARE REQUIRED FOR ORDERING REPLACEMENT PARTS**

Dimensions and specifications subject to change without notice.

**WARNING**  
CANCER AND REPRODUCTIVE HARM  
[WWW.P65WARNINGS.CA.GOV](http://WWW.P65WARNINGS.CA.GOV)

As required by the state of California Proposition 65.



Item	Description	Model	Model
		RG2F40S	RG2F50S
1	Blower Complete	239-48697-00	239-48697-00
	Blower Complete High Altitude (2,001 Ft. to 7,000 Ft.)	243-50204-00	243-50204-00
2	Pressure Switch	239-48754-01	239-48754-01
	Pressure Switch High Altitude (2,001 Ft. to 7,000 Ft.)	239-48754-02	239-48754-02
3	Heat Trap Insert (Outlet)	415-45167-00	415-45167-00
4	Hot Water Outlet Anode (Magnesium)▲#	415-47776-19	415-47776-19
	Hot Water Outlet (Aluminum)▲#	415-32999-42	415-32999-42
	Hot Water Outlet A420 (Aluminum)▲#	415-49560-08	415-49560-08
5	Restrictor Baffle	243-49081-00	243-49082-00
6	Heat Trap Insert (Inlet)	415-51556-00	415-51556-00
7	Cold Water Inlet ▲▲	229-53466-02	415-51230-17
8	Wire Harness	239-45617-03	239-45617-03
9	T&P Relief Valve	415-40594-02	415-40594-02
10	Gas Valve Wire Harness	239-50066-00	239-50066-00
11	Gas Valve Assembly Kit	239-48795-02	239-48795-02
12	Flammable Vapor Sensor	415-45560-00	415-45560-00
13	Flammable Vapor Sensor Clip	239-45648-00	239-45648-00
14	Brass Drain Valve	415-42351-02	415-42351-02
15	Screw-#10-12 x 3/4 HWH	239-52581-00	239-52581-00
16	Outer Door	243-43962-00	243-43962-00
17	Left Side Inner Door Complete	239-43968-18	239-43968-20
18	Screw-#8-18 x 3/4 HWH	239-44195-00	239-44195-00
19	Right Side Inner Door Complete	239-43963-06	239-43963-09
20	Resettable Thermal Switch	415-43676-01	415-43676-01
21	Screw-#6-20 x 3/8 PHCR	239-43967-00	239-43967-00
22	Inner Door Gasket Kit	239-44078-00	239-44078-00
23	ASSE Approved Mixing Valve (optional)	239-51778-00	239-51778-00
24	Kit-Heat Trap Insert (Inlet & Outlet)	265-51572-00	265-51572-00
25	Insulation Kit	239-48949-00	239-48949-00

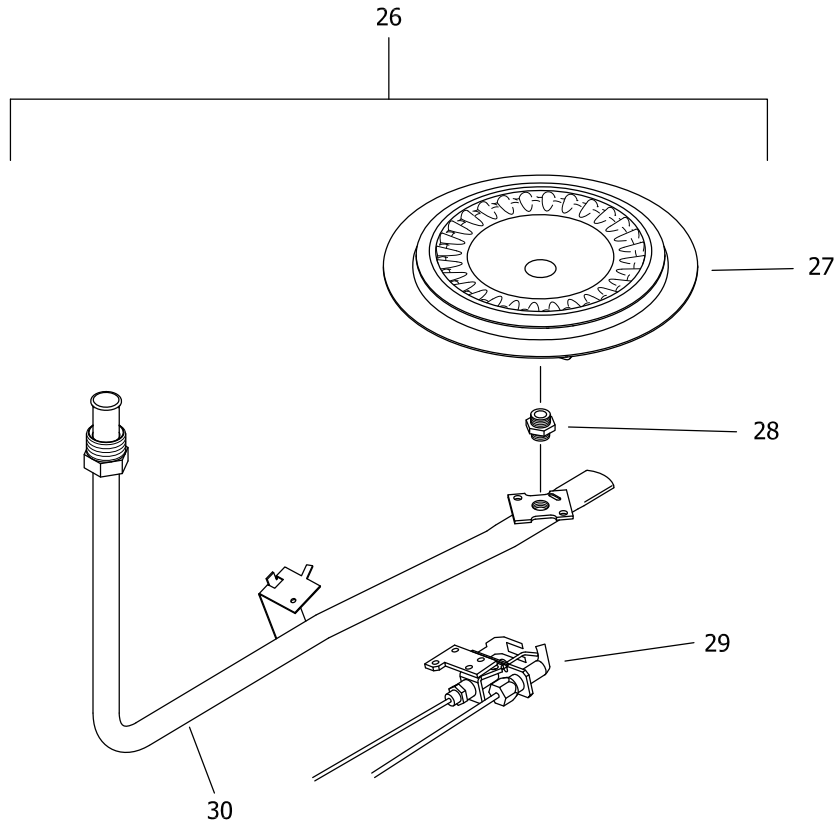
\* Applies to all warranties

\*\* Inner door gasket kit recommended

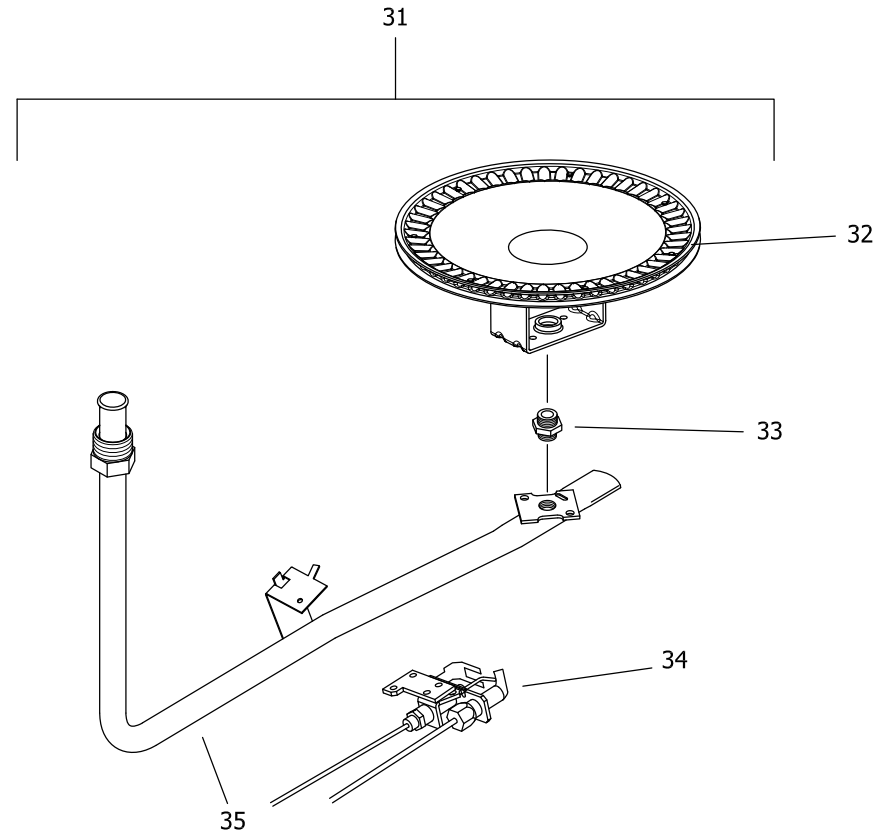
# Anode may need to be cut to length, see page 6.

▲ Order with item 3

▲▲ Order with item 6



NATURAL GAS (BN) BURNER ASSEMBLY



LP GAS (SX) BURNER ASSEMBLY

Item	Description	Model RG2F40S	Model RG2F50S
<b>Natural Gas (N) Burner Assembly</b>			
26	Nat Gas Burner Assembly Complete***	265-45652-02-33	265-45652-04-33
27	Nat. Gas (N) Burner**	228-42506-00	228-42506-00
28	Nat. Gas (N) Main Burner Orifice 0 Ft. to 2,000 Ft.**	234-41034-33	234-41034-33
	Nat. Gas (N) High Altitude 2,001 Ft. to 7,000 Ft. (-475 model suffixes) **	234-41034-36	234-41034-36
	Nat. Gas (N) High Altitude Kit 7,001 Ft. to 10,000 Ft.	265-51380-08-41	265-51380-08-41
29	Nat. Gas Pilot Assembly**	415-45653-05	415-45653-05
30	Nat. Gas Feedline**	233-45615-02	233-45615-04
<b>LP Gas (X) Titanium Stabilized Stainless Steel Burner Assembly</b>			
31	LP Gas Burner Assembly Complete***	265-47316-02-50	265-47316-03-50
32	LP Gas (X) Burner**	228-46964-00	228-46964-00
33	LP Gas (X) Main Burner Orifice 0 Ft. to 2,000 Ft. **	234-47064-50	234-47064-50
	LP Gas (X) High Altitude 2,001 Ft. to 7,000 Ft. (-475 model suffixes) **	234-47064-52	234-47064-52
	LP Gas (X) High Altitude Kit 7,001 Ft. to 10,000 Ft.	265-51433-08-53	265-51433-08-53
34	LP Gas Pilot Assembly**	415-45653-05	415-45653-05
35	LP Gas Feedline**	233-47109-02	243-47316-06
	LP to Natural Gas Conversion Kit (Norm Alt.)	265-46493-89	265-46493-90
	LP to Natural Gas Conversion Kit (High Alt.)	265-46493-80	265-46493-92

\*\* Inner door gasket kit recommended

\*\*\* Ordering a complete burner assembly may increase delivery time. Please order the specific component required for the quickest delivery.

## Reference Chart of Anode Length by Model

Model	Anode/Outlet Device Cut Length (End to end)	
	Inches	Millimeters
RG2F40S	36.13	917.702
RG2F50S	38.63	981.202



## United States

---

**Sales** 800-523-2931

**Technical Support** 800-334-3393

**Email** [techserv@bradfordwhite.com](mailto:techserv@bradfordwhite.com)

**Warranty** 800-531-2111

**Email** [warranty@bradfordwhite.com](mailto:warranty@bradfordwhite.com)

**Service Parts** 800-538-2020

**Email** [parts@bradfordwhite.com](mailto:parts@bradfordwhite.com)

## Canada

---

**Sales & Technical Support** 866-690-0961 905-203-0600

**Fax** 905-636-0666

**Warranty** [bwccwarranty@bradfordwhite.com](mailto:bwccwarranty@bradfordwhite.com)

**Technical Support** [bwccotech@bradfordwhite.com](mailto:bwccotech@bradfordwhite.com)

**Service Parts** [orders@bradfordwhitecanada.com](mailto:orders@bradfordwhitecanada.com)

**Orders** [ca.orders@bradfordwhite.com](mailto:ca.orders@bradfordwhite.com)

For U.S. and Canada field service,  
contact your professional installer or  
local Bradford White sales representative.

## International

---

**General Contact** [international@bradfordwhite.com](mailto:international@bradfordwhite.com)