



## ELECTRIC REPLACEMENT PARTS LIST

# Residential & Light Duty Commercial Electric Utility Models

Residential (RE(1,2)U) Utility Models  
Commercial (LE(1,2)U) Utility Models



Models may vary in appearance.

### Models Covered:

RE(12, 16, 112, 120)U\*

LE(16, 120)U\*

RE112T

LE112T

RE220U

LE220U

RE(110, 115)U\*

LE(110, 115)U\*

(\* Denotes Warranty Years)

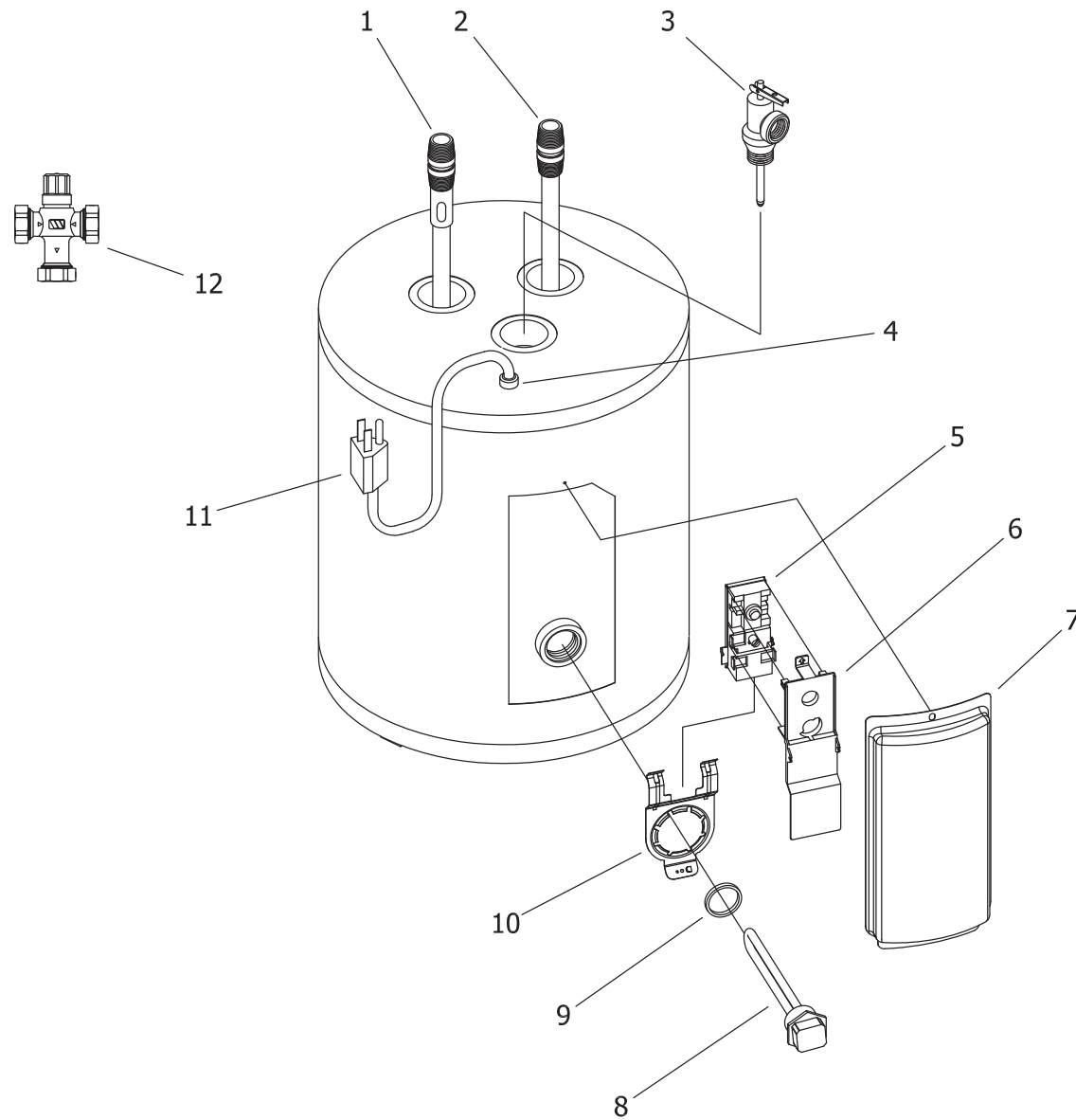
**Effective: August, 2020**  
**ECO 8255**

**NOTE: BOTH MODEL AND SERIAL  
NUMBERS ARE REQUIRED FOR  
ORDERING REPLACEMENT PARTS**

Dimensions and specifications  
subject to change without notice.



As required by the state of California Proposition 65.



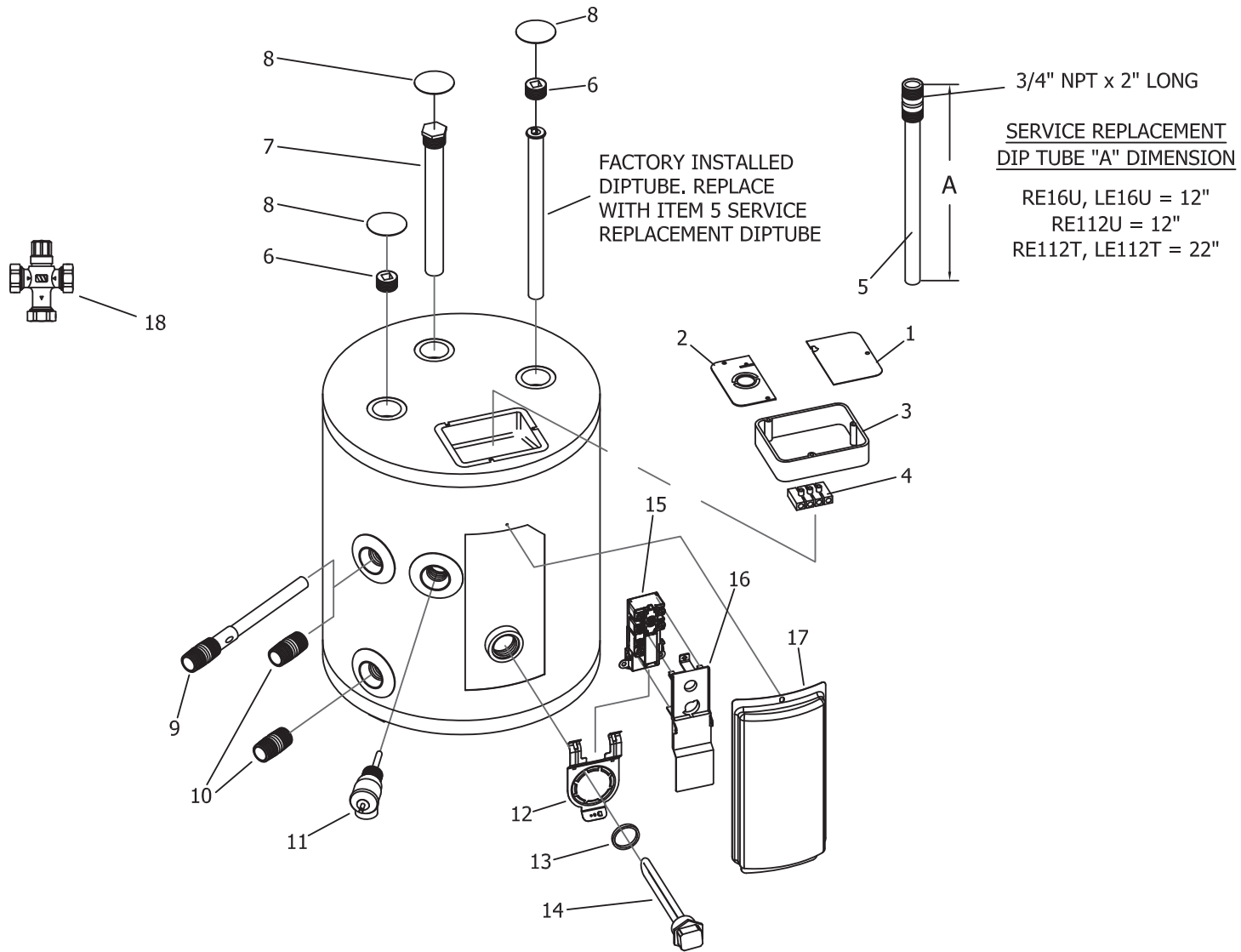
Item	Description	Model RE12U*
1	Hot Water Outlet Anode (Magnesium)	224-47776-20
	Hot Water Outlet Anode (Aluminum)	224-32999-32
	Hot Water Outlet Anode (A420 Aluminum)	224-49560-09
2	Cold Water Inlet Dip Tube (PEX)	229-51534-15
3	T&P Relief Valve	230-32920-01
4	Strain Relief Bushing	239-80372-00
5	Thermostat ■	415-50691-00
6	Thermostat Protector	223-50125-00
7	Access Cover	239-44929-00
8	Heating Element (120V/1500W Copper)** ♦	415-42540-02
	Heating Element (120V/1500W Incoloy)** ♦	N/A
9	Element Gasket	223-34019-00
10	Thermostat Mounting Bracket	415-50689-00
11	Power Cord	239-38846-00
12	ASSE Approved Mixing Valve (Optional)	239-51778-00

■ Protector (Item #6) and mounting bracket (Item #10) included in kit with thermostat.

♦ Gasket (Item #9) included with this kit

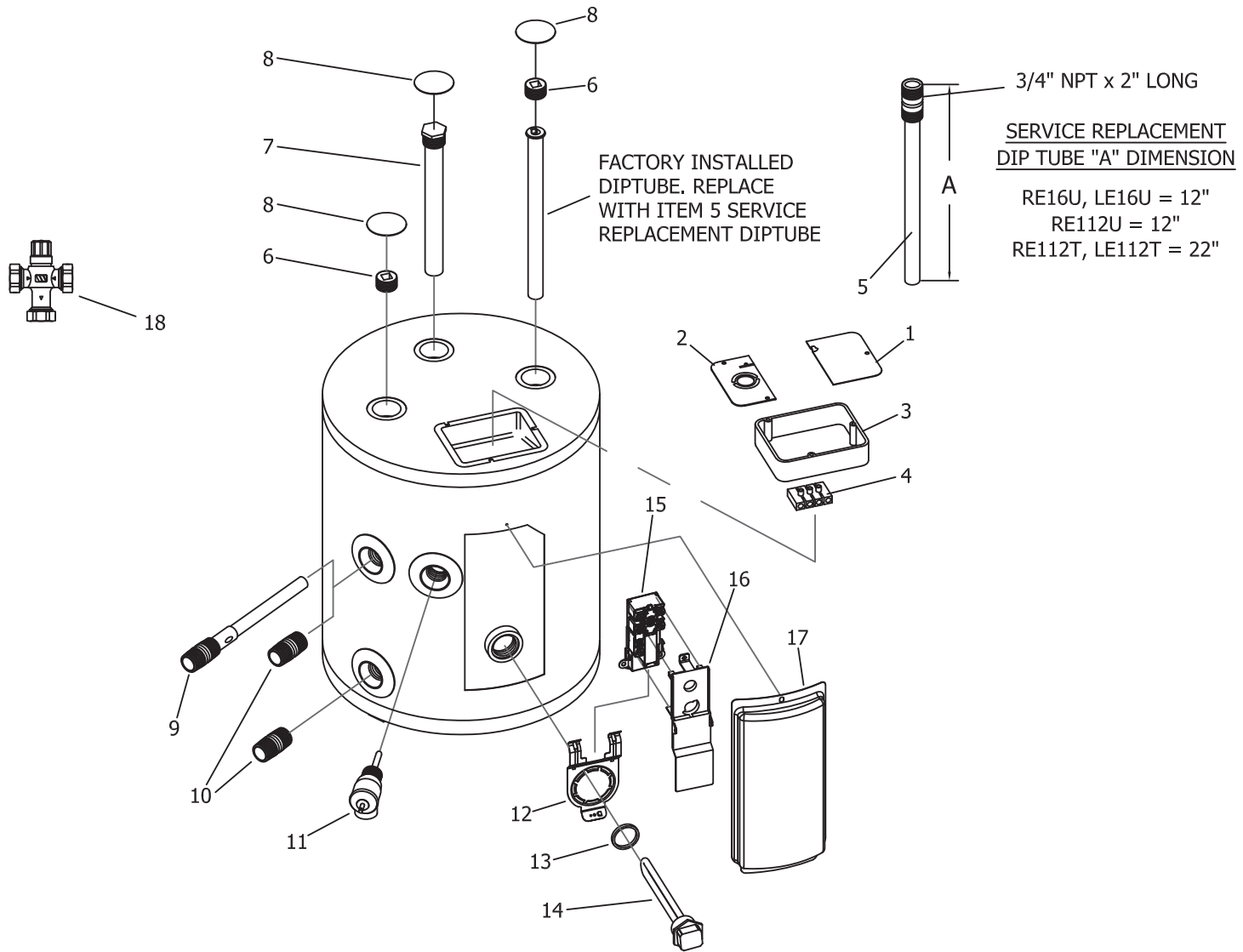
\* Applies to all warranties

\*\* For other wattages/voltages, consult residential Heating Element Replacement Parts List.



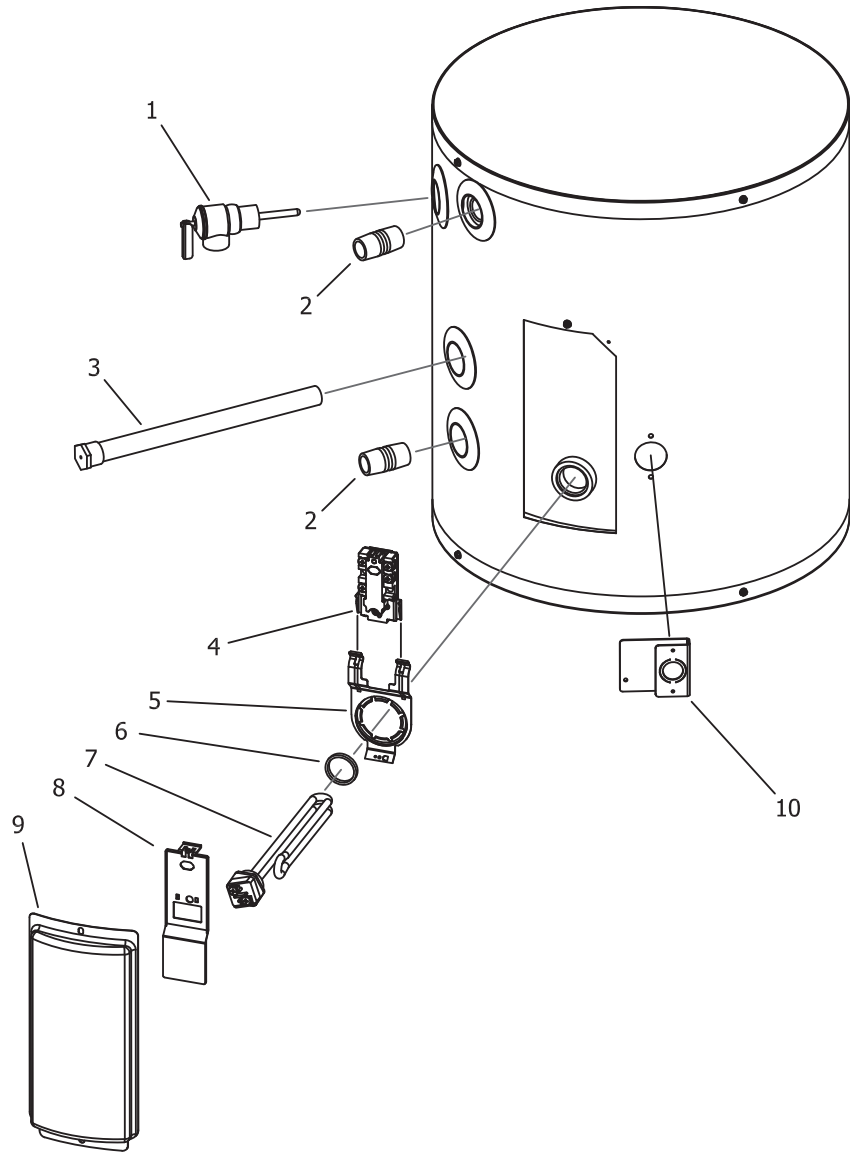
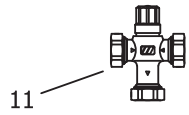
Item	Description	Model RE16U*	Model LE16U*	Model RE120U*	Model LE120U*
1	Junction Box Cover	243-39452-00	243-39452-00	243-39452-00	243-39452-00
2	Bracket-Grounding/Conduit	243-39451-00	243-39451-00	243-39451-00	243-39451-00
3	Junction Box Extender	---	239-40587-00	---	239-40587-00
4	Terminal Block 4-Pole	---	243-49908-00	---	243-49908-00
5	Service Replacement Dip Tube (PEX)	243-51612-01	243-51612-01	---	---
6	Pipe Plug 3/4 NPT	239-11638-00	239-11638-00	---	---
7	Anode Rod Plug Type (Magnesium)#	224-47782-08	224-47782-08	---	---
	Anode Rod Plug Type (Aluminum)#	224-38508-10	224-38508-10	---	---
	Anode Rod Plug Type (A420 Aluminum)#	224-49559-04	224-49559-04	---	---
8	Hole Closure	239-31547-02	239-31547-02	---	---
9	Hot Water Outlet Anode (Magnesium)#	---	---	224-47776-19	224-47776-19
	Hot Water Outlet Anode (Aluminum)#	---	---	224-32999-28	224-32999-28
	Hot Water Outlet Anode (A420 Aluminum)#	---	---	224-49560-10	224-49560-10
10	Inlet/Outlet Nipple	229-32762-03	229-32762-03	229-32762-03	229-32762-03
11	T&P Relief Valve	415-42540-02	415-42540-02	415-42540-02	415-42540-02
12	Thermostat Mounting Bracket	415-50689-00	415-50689-00	415-50689-00	415-50689-00
13	Element Gasket	223-34019-00	223-34019-00	223-34019-00	223-34019-00
14	Heating Element 1500W, 120V Copper** ♦	415-42540-02	415-42540-02	415-42540-02	415-42540-02
	Heating Element 1500W, 120V Incoloy** ♦	415-42541-02	415-42541-02	415-42541-02	415-42541-02
15	Thermostat-Residential ■■	415-50691-00	---	415-50691-00	---
	Thermostat-Light Duty Commercial ■■ ∩	---	265-50691-00	---	265-50691-00
	Thermostat-Light Duty Commercial ■ Φ ∩∩	---	415-53388-00	---	415-53388-00
16	Thermostat Protector	223-50125-00	223-50125-00	223-50125-00	223-50125-00
17	Access Cover	243-36618-02	243-36618-02	243-36618-02	243-36618-02
18	ASSE Approved Mixing Valve (Optional)	239-51778-00	239-51778-00	239-51778-00	239-51778-00

- Protector (Item #16) included in kit with thermostat.
- Protector (Item #16) and mounting bracket (Item #12) included in kit with thermostat.
- Φ Mounting bracket (Item #12) not included in kit with thermostat.
- ♦ Gasket (Item #13) included with this kit
- \* Applies to all warranties
- \*\* For other wattages/voltages, consult residential Heating Element Replacement Parts List.
- # Anode may need to be cut to length
- ∩ Design certified for products with serial numbers PRIOR to TD43243484.
- ∩∩ Design certified for products with serial numbers AFTER and including TD43243484.



Item	Description	Model	Model	Model	Model	Model
		RE112U*	RE112T	LE112T	RE220U	LE220U
1	Junction Box Cover	243-39452-00	243-39452-00	243-39452-00	243-39452-00	243-39452-00
2	Bracket-Grounding/Conduit	243-39451-00	243-39451-00	243-39451-00	243-39451-00	243-39451-00
3	Junction Box Extender	---	---	239-40587-00	---	239-40587-00
4	Terminal Block 4-Pole	---	---	243-49908-00	---	243-49908-00
5	Service Replacement Dip Tube (PEX)	243-51612-02	243-51612-02	243-51612-02	---	---
6	Pipe Plug 3/4 NPT	239-11638-00	239-11638-00	239-11638-00	---	---
7	Anode Rod Plug Type (Magnesium)#	224-47782-08	224-47782-08	224-47782-08	---	---
	Anode Rod Plug Type (Aluminum)#	224-38508-10	224-38508-10	224-38508-10	---	---
	Anode Rod Plug Type (A420 Aluminum)#	224-49559-04	224-49559-04	224-49559-04	---	---
8	Hole Closure	239-31547-02	239-31547-02	239-31547-02	---	---
9	Hot Water Outlet Anode (Magnesium)#	---	---	---	224-47776-19	224-47776-19
	Hot Water Outlet Anode (Aluminum)#	---	---	---	224-32999-28	224-32999-28
	Hot Water Outlet Anode (A420 Aluminum)#	---	---	---	224-49560-10	224-49560-10
10	Inlet/Outlet Nipple	229-32762-03	229-32762-03	229-32762-03	229-32762-03	229-32762-03
11	T&P Relief Valve	230-40594-02	230-40594-02	230-40594-02	230-40594-02	230-40594-02
12	Thermostat Mounting Bracket	415-50689-00	415-50689-00	415-50689-00	415-50689-00	415-50689-00
13	Element Gasket	223-34019-00	223-34019-00	223-34019-00	223-34019-00	223-34019-00
14	Heating Element 1500W, 120V Copper** ♦	415-42540-02	415-42540-02	415-42540-02	415-42540-02	415-42540-02
	Heating Element 1500W, 120V Incoloy** ♦	415-42541-02	415-42541-02	415-42541-02	415-42541-02	415-42541-02
15	Thermostat-Residential ■■	415-50691-00	415-50691-00	---	415-50691-00	---
	Thermostat-Light Duty Commercial ■■ ∩	---	---	415-50691-00	---	415-50691-00
	Thermostat-Light Duty Commercial ■ Φ ∩∩	---	---	415-53388-00	---	415-53388-00
16	Thermostat Protector	223-50125-00	223-50125-00	223-50125-00	223-50125-00	223-50125-00
17	Access Cover	243-36618-02	243-36618-02	243-36618-02	243-36618-02	243-36618-02
18	ASSE Approved Mixing Valve (Optional)	239-51778-00	239-51778-00	239-51778-00	239-51778-00	239-51778-00

- Protector (Item #16) included in kit with thermostat.
- Protector (Item #16) and mounting bracket (Item #12) included in kit with thermostat.
- Φ Mounting bracket (Item #12) not included in kit with thermostat.
- ♦ Gasket (Item #13) included with this kit
- \* Applies to all warranties
- \*\* For other wattages/voltages, consult residential Heating Element Replacement Parts List.
- # Anode may need to be cut to length
- ∩ Design certified for products with serial numbers PRIOR to TD43243484.
- ∩∩ Design certified for products with serial numbers AFTER and including TD43243484.





Item	Description	Model	Model	Model	Model
		RE110U*	LE110U*	RE115U*	LE115U*
1	T&P Relief Valve	230-40594-02	230-40594-02	230-40594-02	230-40594-02
2	Inlet/Outlet Nipple	229-32762-03	229-32762-03	229-32762-03	229-32762-03
3	Anode Rod Plug Type (Magnesium)#	224-47782-08	224-47782-08	224-47782-08	224-47782-08
	Anode Rod Plug Type (Aluminum)#	224-38508-10	224-38508-10	224-38508-10	224-38508-10
	Anode Rod Plug Type (A420 Aluminum)#	224-49559-04	224-49559-04	N/A	N/A
4	Thermostat-Residential ■■	415-50691-00	---	415-50691-00	---
	Thermostat-Light Duty Commercial ■■ ∩	---	415-50691-00	---	415-50691-00
	Thermostat-Light Duty Commercial ■ Φ ∩∩	---	415-53388-00	---	415-53388-00
5	Thermostat Mounting Bracket	415-50689-00	415-50689-00	415-50689-00	415-50689-00
6	Element Gasket	223-34019-00	223-34019-00	223-34019-00	223-34019-00
7	Heating Element 1500W, 120V Copper** ♦	415-42540-02	415-42540-02	415-42540-02	415-42540-02
	Heating Element 1500W, 120V Incoloy** ♦	415-42541-02	415-42541-02	415-42541-02	415-42541-02
8	Thermostat Protector	223-50125-00	223-50125-00	223-50125-00	223-50125-00
9	Access Cover	243-36618-02	243-36618-02	243-36618-02	243-36618-02
10	Bracket-Grounding/Conduit	239-46167-00	239-46167-00	239-46167-00	239-46167-00
11	ASSE Approved Mixing Valve (Optional)	239-51778-00	239-51778-00	239-51778-00	239-51778-00

- Protector (Item #16) included in kit with thermostat.
- Protector (Item #16) and mounting bracket (Item #12) included in kit with thermostat.
- Φ Mounting bracket (Item #12) not included in kit with thermostat.
- ♦ Gasket (Item #6) included with this kit.
- \* Applies to all warranties.
- # Anode may need to be cut to length.
- ∩ Design certified for products with serial numbers PRIOR to TD43243484.
- ∩∩ Design certified for products with serial numbers AFTER and including TD43243484.

### Reference Chart of Anode Length by Model

Model	AOD Anode Cut Length (End to end)		Hex Head Anode Cut Length (End to end)	
	Inches	Millimeters	Inches	Millimeters
RE12U*	9.63	245	---	---
RE16U*	---	---	9.5	241
RE120U*	13.63	346	---	---
LE120U*	13.63	346	---	---
RE112U*	---	---	9.5	241
RE112T	---	---	17.5	445
LE112T	---	---	17.5	445
RE220U	13.63	346	---	---
LE220U	13.63	346	---	---
RE110U*	---	---	9.5	241
LE110U*	---	---	9.5	241
RE115U*	---	---	9.5	241
LE115U*	---	---	9.5	241





## United States

---

**Sales** 800-523-2931

**Technical Support** 800-334-3393

**Email** [techserv@bradfordwhite.com](mailto:techserv@bradfordwhite.com)

**Warranty** 800-531-2111

**Email** [warranty@bradfordwhite.com](mailto:warranty@bradfordwhite.com)

**Service Parts** 800-538-2020

**Email** [parts@bradfordwhite.com](mailto:parts@bradfordwhite.com)

## Canada

---

**Sales & Technical Support** 866-690-0961 905-203-0600

**Fax** 905-636-0666

**Warranty** [bwccwarranty@bradfordwhite.com](mailto:bwccwarranty@bradfordwhite.com)

**Technical Support** [bwccotech@bradfordwhite.com](mailto:bwccotech@bradfordwhite.com)

**Service Parts** [orders@bradfordwhitecanada.com](mailto:orders@bradfordwhitecanada.com)

**Orders** [ca.orders@bradfordwhite.com](mailto:ca.orders@bradfordwhite.com)

For U.S. and Canada field service,  
contact your professional installer or  
local Bradford White sales representative.

## International

---

**General Contact** [international@bradfordwhite.com](mailto:international@bradfordwhite.com)