



**BRADFORD WHITE**<sup>®</sup>  
W A T E R H E A T E R S

**RESIDENTIAL ELECTRIC REPLACEMENT PARTS LIST**

**Residential Upright  
Residential Lowboy  
Residential Large Volume**



Includes Hydrojet<sup>®</sup>  
Total Performance System

**Effective: May, 2019  
ECO 8264**

**NOTE: BOTH MODEL AND SERIAL  
NUMBERS ARE REQUIRED FOR  
ORDERING REPLACEMENT PARTS**

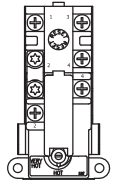
Dimensions and specifications  
subject to change without notice.

**WARNING**  
CANCER AND REPRODUCTIVE HARM  
[WWW.P65WARNINGS.CA.GOV](http://WWW.P65WARNINGS.CA.GOV)

As required by the state of California Proposition 65.

**TOP LOCATION**

- Double element water heater, non-simultaneous single phase and three phase operation.



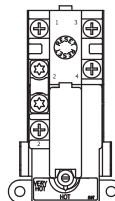
59T66T  
265-51046-00

**TOP LOCATION**

- Double element water heater, simultaneous operation.

**BOTTOM LOCATION**

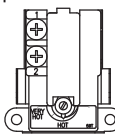
- Single element water heater.
- Double element water heater, non-simultaneous three phase operation.
- Double element water heater, simultaneous operation.



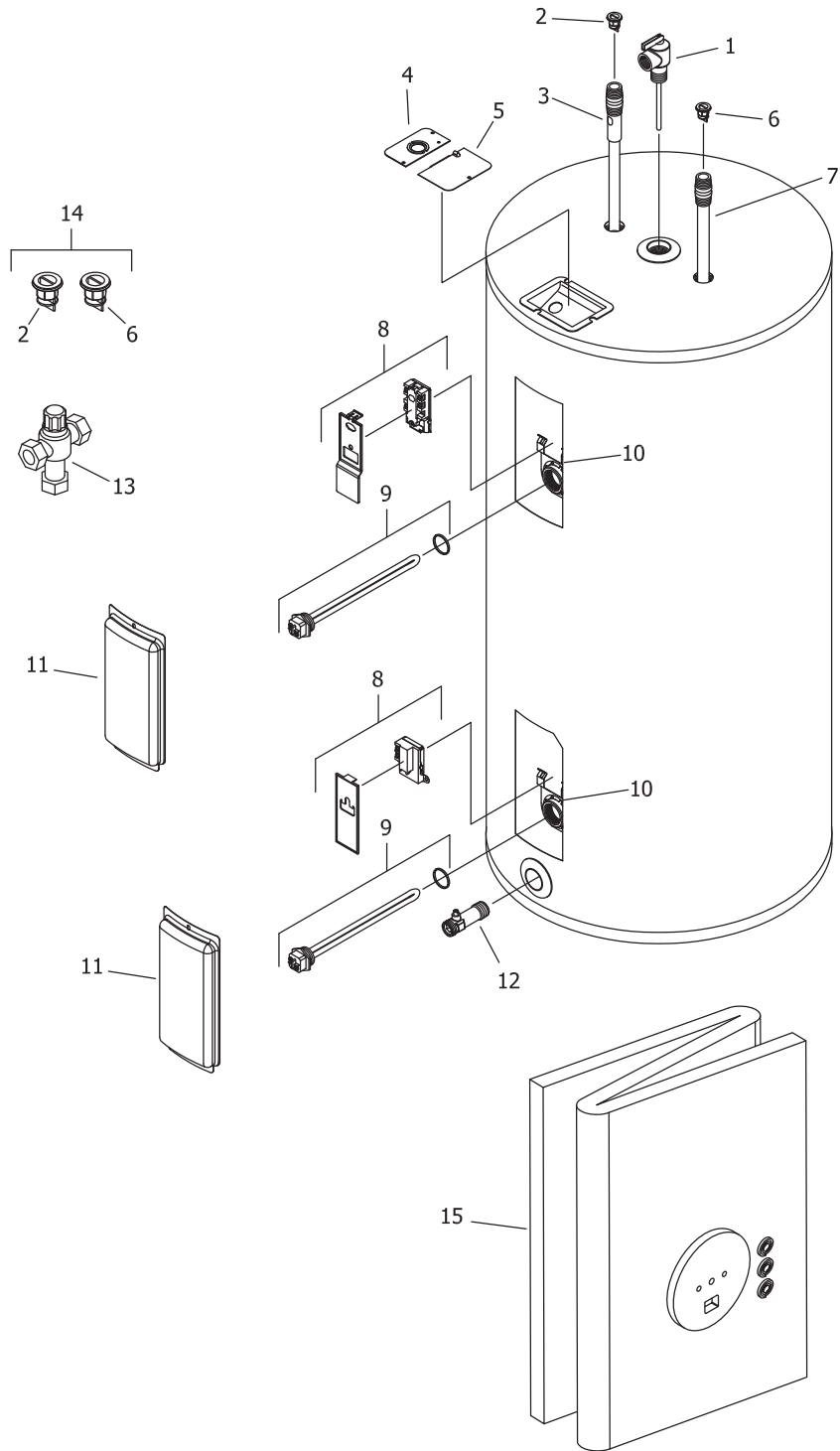
59T66T  
265-50691-00

**BOTTOM LOCATION**

- Double element water heater, non-simultaneous single phase operation



59T  
265-51046-00



Item	Description	Model RE240S	Model RE250S	Model RE330S	Model RE340S	Model RE350S
1	T&P Relief Valve	230-40594-02	230-40594-02	230-40594-02	230-40594-02	230-40594-02
2	Heat Trap Insert (Outlet)	239-45167-00	239-45167-00	239-45167-00	239-45167-00	239-45167-00
3	Hot Water Outlet Anode (Magnesium) ♦#	224-47776-19	224-47776-19	224-47776-19	224-47776-19	224-47776-19
	Hot Water Outlet Anode (Aluminum) ♦#	224-32999-28	224-32999-28	224-32999-28	224-32999-28	224-32999-28
	Hot Water Outlet Anode (A420 Aluminum) ♦#	224-49560-10	224-49560-10	224-49560-10	224-49560-10	224-49560-10
4	Cover Conduit/Ground	243-39451-00	243-39451-00	243-39451-00	243-39451-00	243-39451-00
5	Cover Junction box	243-39452-00	243-39452-00	243-39452-00	243-39452-00	243-39452-00
6	Heat Trap Insert (Inlet)	239-51556-00	239-51556-00	239-51556-00	239-51556-00	239-51556-00
7	Cold Water Inlet Tube PEX ♦♦	229-51230-21	229-51230-21	229-51230-21	229-51230-21	229-51230-21
8	Upper Thermostat with High Limit (59T66) & protector ▲■	265-51046-00	265-51046-00	265-51046-00	265-51046-00	265-51046-00
	Lower Thermostat (59T66) w/ protector ▲■	265-51046-00	265-51046-00	265-51046-00	265-51046-00	265-51046-00
	Lower Thermostat with High Limit (59T66) ▲	265-50691-00	265-50691-00	265-50691-00	265-50691-00	265-50691-00
9	Heating Element 240V 4500W w/ gasket* (qty 2)	265-48642-00	265-48642-00	265-48642-00	265-48642-00	265-48642-00
10	Thermostat Mounting Bracket	239-50689-00	239-50689-00	239-50689-00	239-50689-00	239-50689-00
11	Access Cover	243-36618-02	243-36618-02	243-36618-02	243-36618-02	243-36618-02
12	Drain Valve	265-51684-01	265-51684-01	265-51684-02	265-51684-02	265-51684-02
13	ASSE Approved Mixing Valve	239-51778-00	239-51778-00	239-51778-00	239-51778-00	239-51778-00
14	Kit-Heat Trap Insert	265-51572-00	265-51572-00	265-51572-00	265-51572-00	265-51572-00
15	Blanket Kit	239-50210-01	239-50210-02	---	---	---

♦ Order with item 2.

♦♦ Order with item 6.

▲ Thermostat protector provided with thermostat. The thermostat mounting bracket is also provided with t'stat.

\* For other voltage and wattage combinations, refer to heating elements on page 10 & 11.

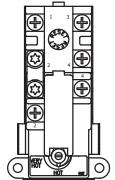
■ Upper and lower thermostats are packaged together.

# Anodes may need to be cut to length



**TOP LOCATION**

- Double element water heater, non-simultaneous single phase and three phase operation.



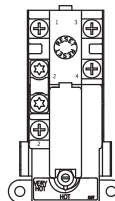
59T66T  
265-51046-00

**TOP LOCATION**

- Double element water heater, simultaneous operation.

**BOTTOM LOCATION**

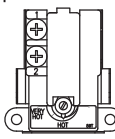
- Single element water heater.
- Double element water heater, non-simultaneous three phase operation.
- Double element water heater, simultaneous operation.



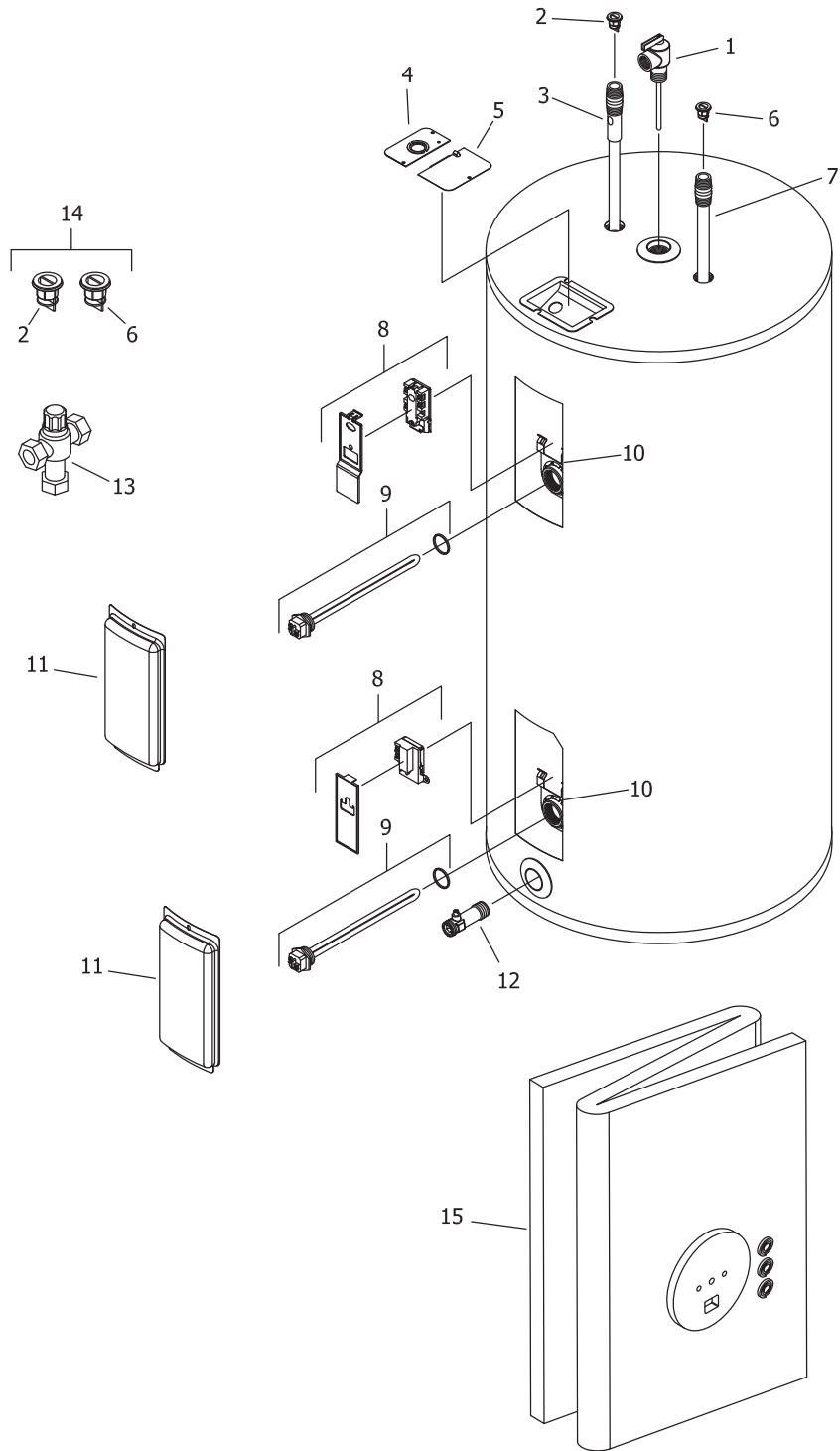
59T66T  
265-50691-00

**BOTTOM LOCATION**

- Double element water heater, non-simultaneous single phase operation



59T  
265-51046-00



Item	Description	Model	Model	MODEL
		RE340T	RE350T	RE250T
1	T&P Relief Valve	230-40594-02	230-40594-02	230-40594-03
2	Heat Trap Insert (Outlet)	239-45167-00	239-45167-00	239-45167-00
3	Hot Water Outlet Anode (Magnesium) ♦#	224-47776-19	224-47776-25	224-47782-08
	Hot Water Outlet Anode (Aluminum) ♦#	224-32999-28	224-32999-43	224-38508-07
	Hot Water Outlet Anode (A420 Aluminum) ♦#	224-49560-10	224-49560-11	224-49559-04
4	Cover Conduit/Ground	243-39451-00	243-39451-00	243-39451-00
5	Cover Junction box	243-39452-00	243-39452-00	243-39452-00
6	Heat Trap Insert (Inlet)	239-51556-00	239-51556-00	239-51556-00
7	Cold Water Inlet Tube PEX ♦♦	229-51230-28	229-51718-01	229-51718-05
8	Upper Thermostat with High Limit (59T66) & protector ▲■	265-51046-00	265-51046-00	265-51046-00
	Lower Thermostat (59T) w/ protector ▲■	265-51046-00	265-51046-00	265-51046-00
	Lower Thermostat with High Limit (59T66) ▲	265-50691-00	265-50691-00	265-50691-00
9	Heating Element 240V 4500W w/ gasket * (qty 2)	265-48642-00	265-48642-00	265-5133-08
10	Thermostat Mounting Bracket	239-50689-00	239-50689-00	239-50689-00
11	Access Cover	243-36618-02	243-36618-02	243-36618-02
12	Brass Drain Valve	265-51684-02	265-51684-02	265-51684-01
13	ASSE Approved Mixing Valve	239-51778-00	239-51778-00	239-51778-00
14	Kit-Heat Trap Insert	265-51572-00	265-51572-00	265-51572-00
15	Blanket Kit	---	---	---

♦ Order with item 2.

♦♦ Order with item 6.

▲ Thermostat protector provided with thermostat. The thermostat mounting bracket is also provided with thermostat.

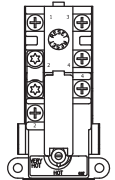
\* For other voltage and wattage combinations, refer to heating elements on page 10 & 11.

■ Upper and lower thermostats are packaged together.

# Anodes may need to be cut to length

**TOP LOCATION**

- Double element water heater, non-simultaneous single phase and three phase operation.



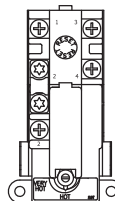
59T66T  
265-51046-00

**TOP LOCATION**

- Double element water heater, simultaneous operation.

**BOTTOM LOCATION**

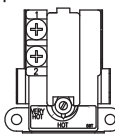
- Single element water heater.
- Double element water heater, non-simultaneous three phase operation.
- Double element water heater, simultaneous operation.



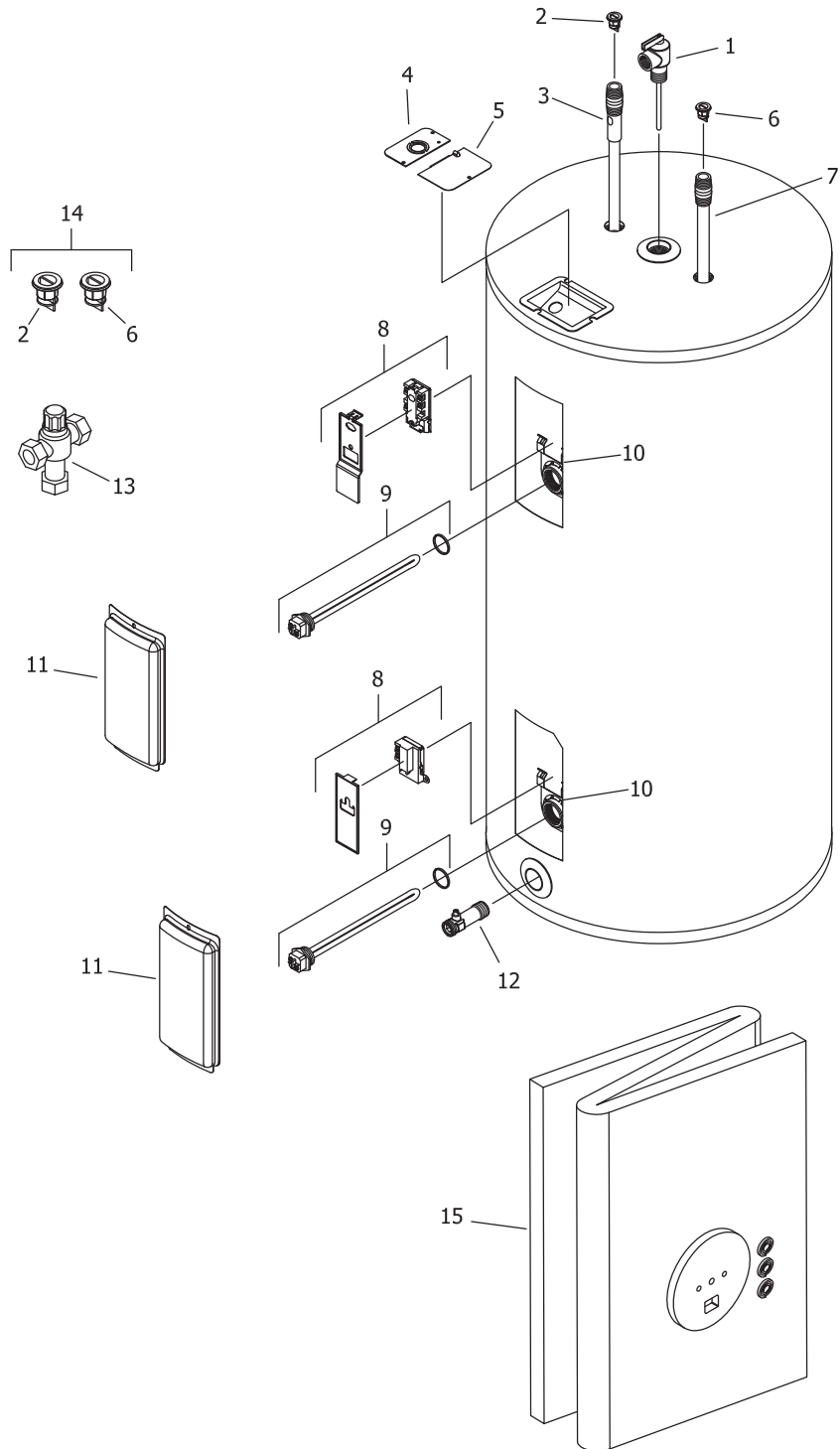
59T66T  
265-50691-00

**BOTTOM LOCATION**

- Double element water heater, non-simultaneous single phase operation



59T  
265-51046-00



Item	Description	Model RE120L	Model RE230L	Model RE240L
1	T&P Relief Valve	230-40594-02	230-40594-02	230-40594-02
2	Heat Trap Insert (Outlet)	---	239-45167-00	239-45167-00
3	Hot Water Outlet Anode (Magnesium) ♦#	224-47776-19	224-47776-19	224-47776-19
	Hot Water Outlet Anode (Aluminum) ♦#	224-32999-28	224-32999-28	224-32999-28
	Hot Water Outlet Anode (A420 Aluminum) ♦#	224-49560-10	224-49560-10	224-49560-10
4	Cover Conduit/Ground	243-39451-00	243-39451-00	243-39451-00
5	Cover Junction box	243-39452-00	243-39452-00	243-39452-00
6	Heat Trap Insert (Inlet)	---	239-51556-00	239-51556-00
7	Cold Water Inlet Tube Pex ♦♦	229-51230-01	229-51718-04	229-51230-27
8	Upper Thermostat with High Limit (59T66) w/ protector ▲■	265-51046-00	265-51046-00	265-51046-00
	Lower Thermostat (59T) w/ protector ▲■	265-51046-00	265-51046-00	265-51046-00
	Lower Thermostat with High Limit (59T66) ▲	265-50691-00	265-50691-00	265-50691-00
9	Heating Element 240V 4500W w/ gasket* (qty 2)	265-48642-00	265-48642-00	265-48642-00
10	Thermostat Mounting Bracket	239-50689-00	239-50689-00	239-50689-00
11	Access Cover	243-36618-02	243-36618-02	243-36618-02
12	Drain Valve	265-42351-02	265-51684-01	265-51684-01
13	ASSE Approved Mixing Valve	239-51778-00	239-51778-00	239-51778-00
14	Kit-Heat Trap Insert	---	265-51572-00	265-51572-00
15	Blanket Kit	---	239-50210-03	239-50210-04

♦ Order with item 2.

♦♦ Order with item 6.

▲ Thermostat protector provided with thermostat. The thermostat mounting bracket is also provided with thermostat.

\* For other voltage and wattage combinations, refer to heating elements on page 10 & 11.

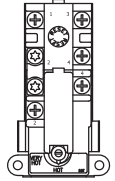
■ Upper and Lower thermostats are packaged together.

# Anodes may need to be cut to length

**TOP LOCATION**

- Double element water heater, non-simultaneous single phase and three phase operation.

59T66T



265-51046-00

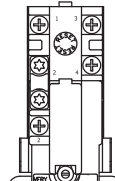
**TOP LOCATION**

- Double element water heater, simultaneous operation.

**BOTTOM LOCATION**

- Single element water heater.
- Double element water heater, non-simultaneous three phase operation.
- Double element water heater, simultaneous operation.

59T66T

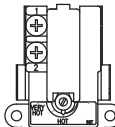


265-50691-00

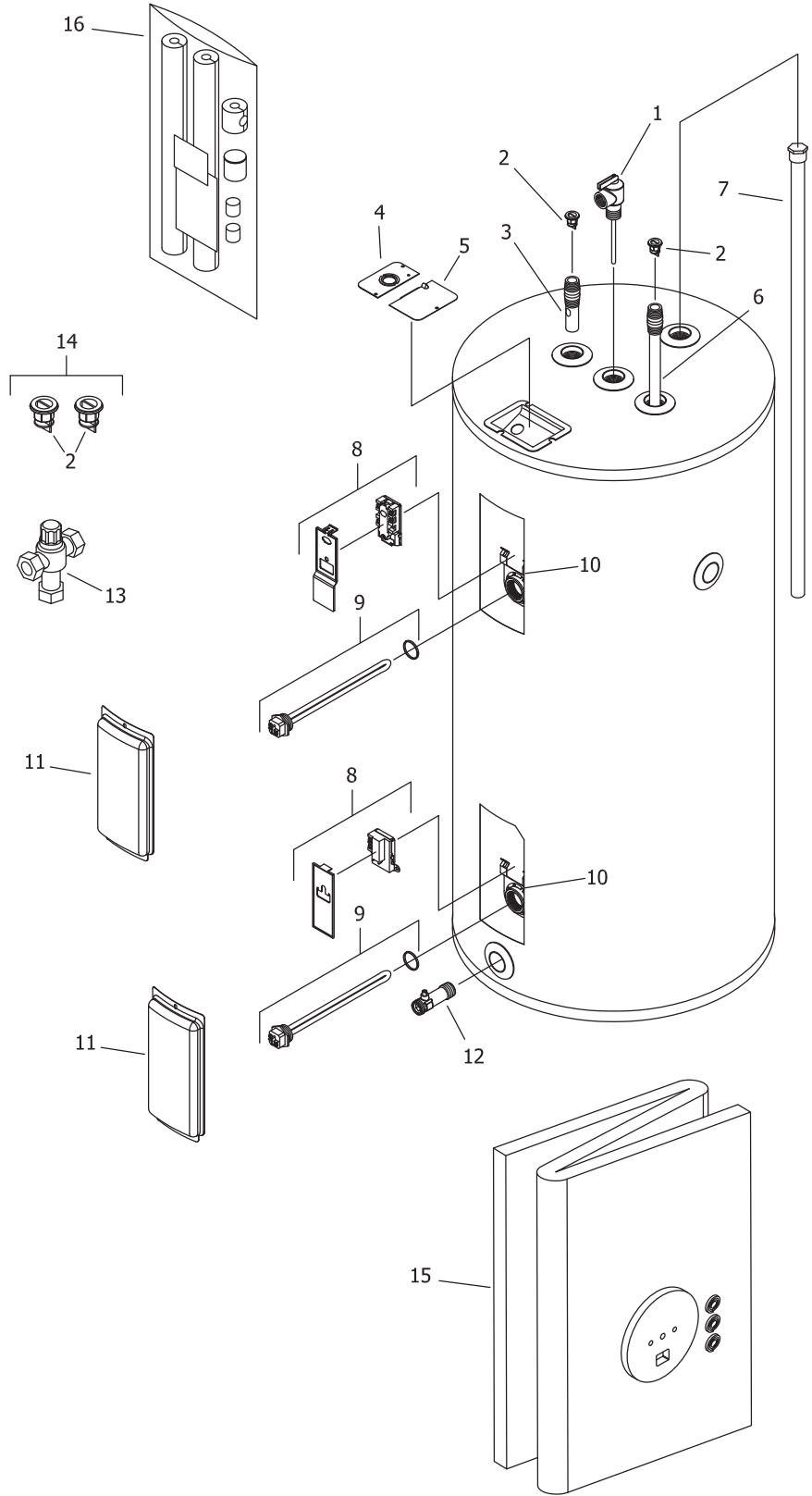
**BOTTOM LOCATION**

- Double element water heater, non-simultaneous single phase operation

59T



265-51046-00





Item	Description	Model RE130L	Model RE230LN	Model RE240LN	Model RE250L(N)
1	T&P Relief Valve	230-40594-02	230-40594-02	230-40594-02	230-40594-02
2	Heat Trap Insert (Inlet & Outlet)	239-51556-00	239-51556-00	239-51556-00	239-51556-00
3	Hot Water Outlet Device ♦	229-51995-00	229-51995-00	229-51858-00	229-51858-00
4	Cover Conduit/Ground	243-39451-00	243-39451-00	243-39451-00	243-39451-00
5	Cover Junction box	243-39452-00	243-39452-00	243-39452-00	243-39452-00
6	Cold Water Inlet Tube PEX ♦	229-51718-03	229-51718-03	229-52007-01	229-51718-02
7	Hex head Sacrificial Anode (Magnesium) #	224-47782-08	224-47782-08	224-47782-08	224-47782-08
	Hex head Sacrificial Anode (Aluminum) #	224-38508-01	224-38508-01	224-38508-01	224-38508-01
	Hex head Sacrificial Anode (A420 Aluminum) #	224-49559-04	224-49559-04	224-49559-04	224-49559-04
8	Upper Thermostat with High Limit (59T66) & protector ▲■	265-51046-00	265-51046-00	265-51046-00	265-51046-00
	Lower Thermostat (59T) w/ protector ▲■	265-51046-00	265-51046-00	265-51046-00	265-51046-00
	Lower Thermostat with High Limit (59T66) ▲	265-50691-00	265-50691-00	265-50691-00	265-50691-00
9	Heating Element 240V 4500W w/ gasket * (qty 2)	265-42544-08	265-42544-08	265-48642-00	265-48642-00
10	Thermostat Mounting Bracket	239-50689-00	239-50689-00	239-50689-00	239-50689-00
11	Access Cover	243-36618-02	243-36618-02	243-36618-02	243-36618-02
12	Brass Drain Valve	265-42351-02	265-51684-02	265-51684-02	265-51684-01
13	ASSE Approved Mixing Valve	239-51778-00	239-51778-00	239-51778-00	239-51778-00
14	Kit-Heat Trap Insert	265-51875-00	265-51875-00	265-51875-00	265-51875-00
15	Blanket Kit	239-50210-06	---	---	---
16	Insulation Kit	239-48949-00	239-48949-00	239-48949-00	239-48949-00

♦ Order with item 2.

▲ Thermostat protector provided with thermostat. The thermostat mounting bracket is also provided with thermostat.

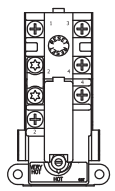
\* For other voltage and wattage combinations, refer to heating elements on page 10 & 11.

■ Upper and Lower thermostats are packaged together.

# Anodes may need to be cut to length

**TOP LOCATION**

- Double element water heater, non-simultaneous single phase and three phase operation.



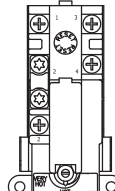
59T66T  
265-51046-00

**TOP LOCATION**

- Double element water heater, simultaneous operation.

**BOTTOM LOCATION**

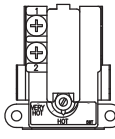
- Single element water heater.
- Double element water heater, non-simultaneous three phase operation.
- Double element water heater, simultaneous operation.



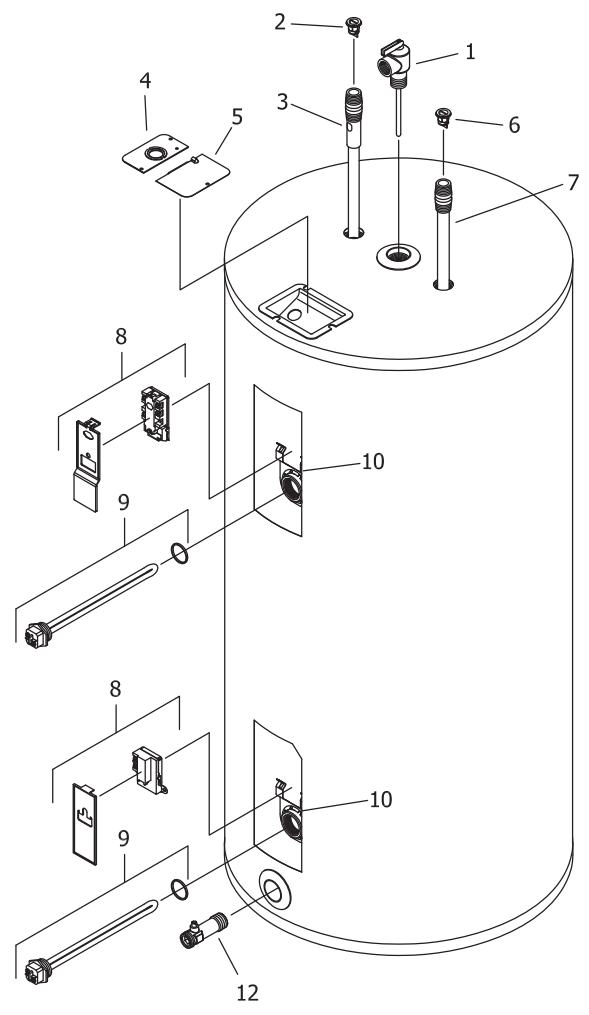
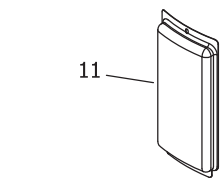
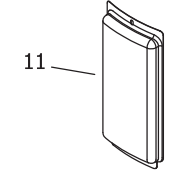
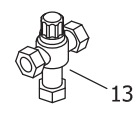
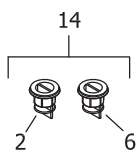
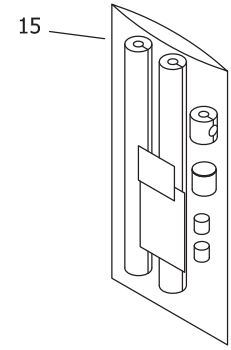
59T66T  
265-50691-00

**BOTTOM LOCATION**

- Double element water heater, non-simultaneous single phase operation



59T  
265-51046-00



Item	Description	Model	MODEL
		RE380T	RE3120T
1	T&P Relief Valve	230-40594-03	230-40594-03
2	Heat Trap Insert (Outlet)	239-45167-00	239-45167-00
3	Hot Water Outlet Anode (Magnesium) ♦#	224-47776-19	224-47780-01
	Hot Water Outlet Anode (Aluminum) ♦#	224-32999-28	224-32999-28
	Hot Water Outlet Anode (A420 Aluminum) ♦#	224-49560-10	222-49560-10
4	Cover Conduit/Ground	243-39451-00	243-39451-00
5	Cover Junction box	243-39452-00	243-39452-00
6	Heat Trap Insert (Inlet)	239-51556-00	239-51556-00
7	Cold Water Inlet Tube PEX ♦♦	229-51230-10	229-45032-01
8	Upper Thermostat with High Limit (59T66) & protector ▲■	265-51046-00	265-51046-00
	Lower Thermostat (59T) w/ protector ▲■	265-51046-00	265-51046-00
	Lower Thermostat with High Limit (59T66) ▲	265-50691-00	265-50691-00
9	Heating Element 240V 4500W w/ gasket * (qty 2)	265-5133-08	265-5133-08
10	Thermostat Mounting Bracket	239-50689-00	239-50689-00
11	Access Cover	243-36618-02	243-36618-02
12	Brass Drain Valve	265-42351-04	265-42351-04
13	ASSE Approved Mixing Valve	239-51778-00	239-51778-00
14	Kit-Heat Trap Insert	265-51572-00	265-51572-00
15	Insulation Kit	239-48949-00	239-48949-00

♦ Order with item 2.

♦♦ Order with item 6.

▲ Thermostat protector provided with thermostat. The thermostat mounting bracket is also provided with t'stat.

\* For other voltage and wattage combinations, refer to heating elements on page 10 & 11.

■ Upper and lower thermostats are packaged together.

# Anodes may need to be cut to length

**Heating Elements (Copper) for:  
Residential Series (RE)  
Light Duty (LE) Commercial Series  
Medium Duty (E32) Commercial Series  
Commercial (MII) Series**

Wattage	120 Volt	208 Volt	240 Volt	277 Volt	380 Volt
1000W ▲	220-42540-01	220-42544-01	220-42546-01	N/A	N/A
1250W ▲	N/A	N/A	220-42544-13	N/A	N/A
1500W ▲	220-42540-02	220-42544-03	220-42544-01	N/A	N/A
1500W (LWD)▲	220-42540-03	N/A	220-42544-02	N/A	N/A
2000W ▲	220-42540-04	220-42544-04	220-42544-03	N/A	N/A
2500W ▲	220-42540-05	220-42544-06	220-42544-04	N/A	N/A
3000W ▲	220-42540-07	220-42544-14	220-42544-05	N/A	N/A
3500W ▲▲	N/A	220-42544-08	220-42544-06	N/A	N/A
3800W ▲▲	N/A	N/A	220-42546-10	N/A	N/A
4000W ▲▲	N/A	220-42544-16	220-42544-14	N/A	N/A
4500W ▲▲	N/A	220-42544-12	220-42544-08	N/A	N/A
4500W (LWD) ▲▲	N/A	N/A	220-51333-09	N/A	N/A
5000W ▲▲	N/A	N/A	220-42544-10	N/A	N/A
5500W ▲▲	N/A	N/A	220-42544-16	N/A	N/A
6000W ▲▲	N/A	N/A	220-42544-12	N/A	N/A
Element gasket ^	223-34019-00	223-34019-00	223-34019-00	223-34019-00	223-34019-00
Element plug	223-34020-00	223-34020-00	223-34020-00	223-34020-00	223-34020-00

(LWD) = Low Watt Density

▲ For 12" Diameter tanks and above.

▲▲ For 14" Diameter tanks and above.

\* For 16" Diameter tanks and above.

\*\* For 18" Diameter tanks and above.

^ Element gaskets included with elements.

**Heating Elements (Incoloy) for:  
Residential Series (RE)  
Light Duty (LE) Commercial Series  
Medium Duty (E32) Commercial Series  
Commercial (MII) Series**

Wattage	120 Volt	208 Volt	240 Volt	277 Volt	380 Volt
1000W ▲	N/A	220-42545-13	220-42547-10	N/A	N/A
1250W ▲	N/A	N/A	N/A	N/A	N/A
1500W ▲	220-42541-02	220-42545-02	220-42545-13	220-42547-10	220-42551-12
1500W (LWD)▲	N/A	N/A	N/A	N/A	N/A
2000W ▲	N/A	220-42545-14	220-42545-02	220-42547-07	220-42549-04
2500W ▲	N/A	220-42545-11	220-42545-14	220-42547-11	220-42551-13
3000W ▲	N/A	220-42545-12	220-42545-15	220-42547-08	220-42551-10
3500W ▲▲	N/A	220-51328-07	220-42545-11	N/A	220-42551-14
3800W ▲▲	N/A	N/A	220-42547-15	N/A	N/A
4000W ▲▲	N/A	220-42545-17	220-42545-12	220-42547-03	220-42551-16
4500W ▲▲	N/A	220-42545-19	220-51328-07	220-42547-12	220-42551-17
4500W (LWD) ▲▲	N/A	N/A	N/A	N/A	N/A
5000W ▲▲	N/A	220-42543-04	220-42545-18	220-42547-15	220-42553-11
5500W ▲▲	N/A	220-42543-05	220-42545-17	220-42547-13	220-42549-06
6000W ▲▲	N/A	220-42543-06	220-42545-19	220-42547-14	220-42549-05
Element gasket ^	223-34019-00	223-34019-00	223-34019-00	223-34019-00	223-34019-00
Element plug	223-34020-00	223-34020-00	223-34020-00	223-34020-00	223-34020-00

(LWD) = Low Watt Density

Element wrench \*\*\*

265-35897-12

Adapt-a-flange kit \*\*\*

265-36968-12

\*\*\* For use with residential, LD, E32, and MII series heating elements only. Not for use with commercial "A" series heating elements.

▲ For 12" Diameter tanks and above.

▲▲ For 14" Diameter tanks and above.

\* For 16" Diameter tanks and above.

\*\* For 18" Diameter tanks and above.

^ Element gaskets included with elements.

### **Reference Chart of Anode Length by Model**

Model	AOD Anode Cut (End to end)		Hex Head Anode Cut Length (End to end)	
	Inches	Millimeters	Inches	Millimeters
RE240S	39.13	994	---	---
RE250S	39.13	994	---	---
RE330S	39.13	994	---	---
RE340S	39.13	994	---	---
RE350S	39.13	994	---	---
RE340T	44.63	1133.6	---	---
RE350T	44.63	1133.6	---	---
RE250T	44.63	1133.6	43.5	1105
RE120L	20.63	524	---	---
RE230L	27.13	690	---	---
RE240L	27.13	690	---	---
RE130L	---	---	23	584
RE230LN	---	---	23	584
RE240LN	---	---	23	584
RE250L(N)	---	---	23	584
RE380T	51.13	1303	---	---
RE3120T	50.81	1291	---	---



# **BRADFORD WHITE®**

W A T E R H E A T E R S

Ambler, PA

For U.S. and Canada field service,  
contact your professional installer or  
local Bradford White sales representative.

**Sales/800-523-2931**

**Technical Support/800-334-3393**  
**Email/techserv@bradfordwhite.com**

**Warranty/800-531-2111**  
**Email/warranty@bradfordwhite.com**

**Service Parts/800-538-2020**  
**Email/Parts@bradfordwhite.com**

**International:**  
**international@bradfordwhite.com**



# **BRADFORD WHITE™** **CANADA**

Halton Hills, Ontario, Canada

**Sales & Technical Support/866-690-0961**  
**905-203-0600**

**Fax/905-636-0666**

## **Email**

**Warranty/bwccwarranty@bradfordwhite.com**  
**Technical Support/BWCCTech@bradfordwhite.com**  
**Parts/orders@bradfordwhitecanada.com**  
**Orders/ca.orders@bradfordwhite.com**

**www.bradfordwhite.com**