



BRADFORD WHITE[®]
W A T E R H E A T E R S

RESIDENTIAL GAS REPLACEMENT PARTS LIST
Combi2[®] Aquavent Models
(CSW2TW, CDW2TW)19



Includes Hydrojet[®]
Total Performance System

Effective: May, 2022
ECO 8200-2

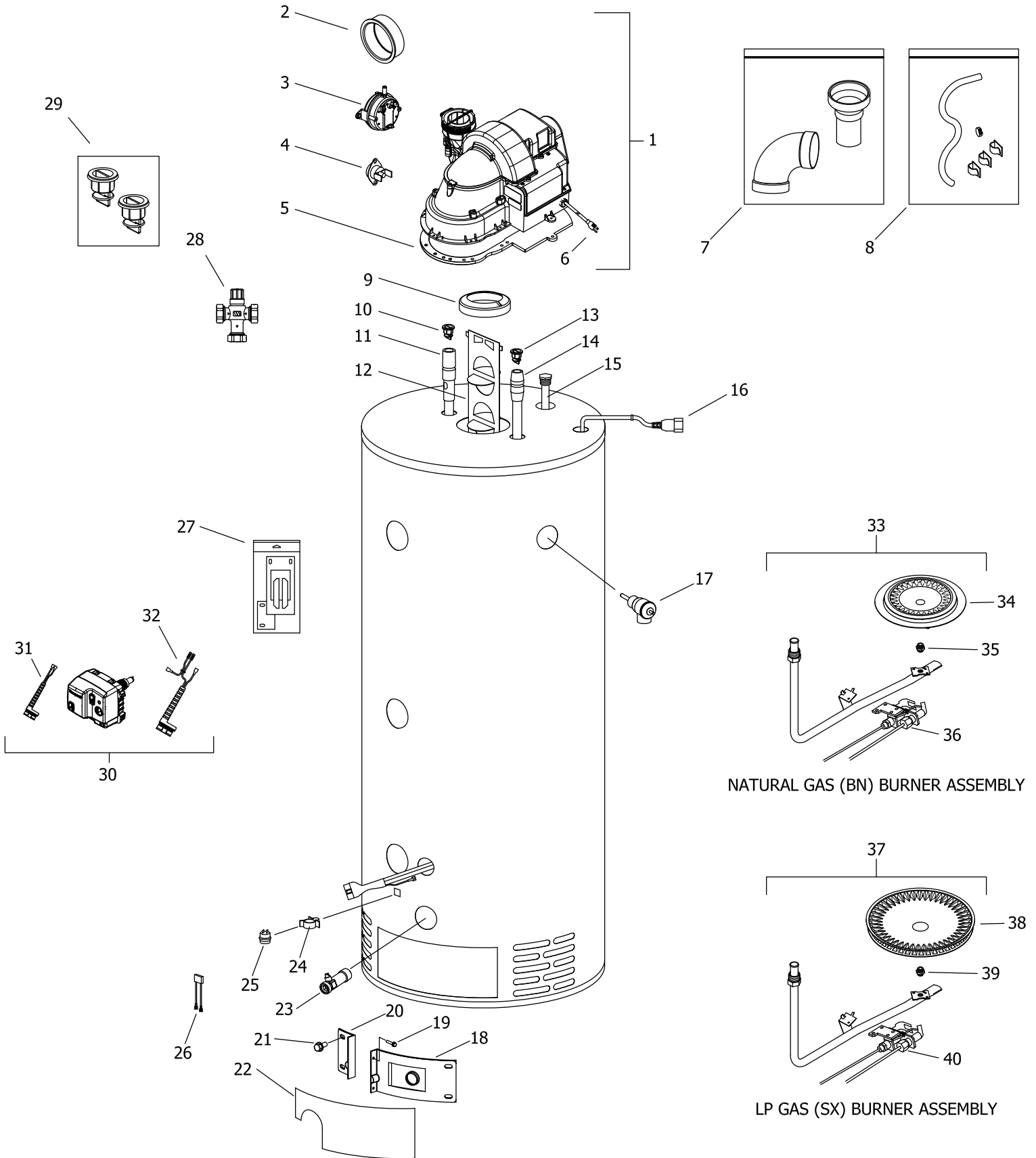
**NOTE: BOTH MODEL AND SERIAL
NUMBERS ARE REQUIRED FOR
ORDERING REPLACEMENT PARTS**

Dimensions and specifications
subject to change without notice.

WARNING
CANCER AND REPRODUCTIVE HARM
WWW.P65WARNINGS.CA.GOV

As required by the state of California Proposition 65.

C(D,S)W2TW50T SERIES



Item	Description	Model
		C(D,S)W2TW50T10F(BN,SX)
1	Blower Complete	415-54694-00
2	Gasket Adapter Rubber PVC	415-53864-00
3	Pressure Switch	415-45867-06
4	Blower Temperature Switch	239-53995-00
5	Blower Gasket	239-53693-00
6	Blower Power Cord	239-45990-00
7	3" Vent Adaptor with Vent Terminal	239-54316-00
8	Condensate Hose Kit (Optional)	239-45875-00
9	Flue Reducer	243-42572-00
10	Heat Trap Insert (Outlet)	239-45167-00
11	Hot Water Outlet Anode (Aluminum) ▲	224-47778-11
	Hot Water Outlet Anode (A420 Aluminum) ▲#	224-49560-08
12	Flue Baffle	239-45373-00
13	Heat Trap Insert (Inlet)	239-45073-00
14	Cold Water Inlet Dip Tube ▲ ▲	229-45092-01
15	Plug Type Anode (Aluminum)	224-47783-07
16	Blower Harness	239-53966-02
17	T&P Valve	230-40594-02
18	Right Side Inner Door	239-45642-18
19	Screw #8-15 x 3/4	239-44195-00
20	Left Side Inner Door	239-43968-18
21	Screw #10-12 x 3/4	239-44113-00
22	Outer Door	243-43962-00
23	Brass Drain Valve	227-48070-02
24	Flammable Vapor Sensor Clip	239-45648-00
25	Flammable Vapor Sensor	415-45560-00
26	Sensor Harness	239-45620-00
27	Kit-Inner Door Gasket	239-44078-00
28	ASSE Approved Mixing Valve	239-51778-00
29	Kit-Heat Trap Insert	265-45419-00
30	Gas Valve Natural Gas	239-48795-04
	Gas Valve LP Gas	239-48796-04
31	Flammable Vapor Sensor Harness	239-49791-00
32	FV Sensor and Thermal Switch Harness	239-50066-00
Natural Gas (BN) Burner Assembly		
33	Nat. Gas (BN) Burner Assembly Complete**	265-47439-06-26
34	Nat. Gas (BN) Burner*	228-42506-00
35	Nat. Gas (BN) Main Burner Orifice*	234-41034-26
36	Nat. Gas Pilot Assembly*	233-45653-02
LP Gas (SX) Burner Assembly		
37	LP Gas (SX) Burner Assembly Complete**	265-47440-31-43
38	LP Gas (SX) Burner*	228-46964-00
39	LP Gas (SX) Main Burner Orifice*	234-35928-43
40	LP Gas Pilot Assembly*	233-54338-02

* Inner door gasket kit recommended

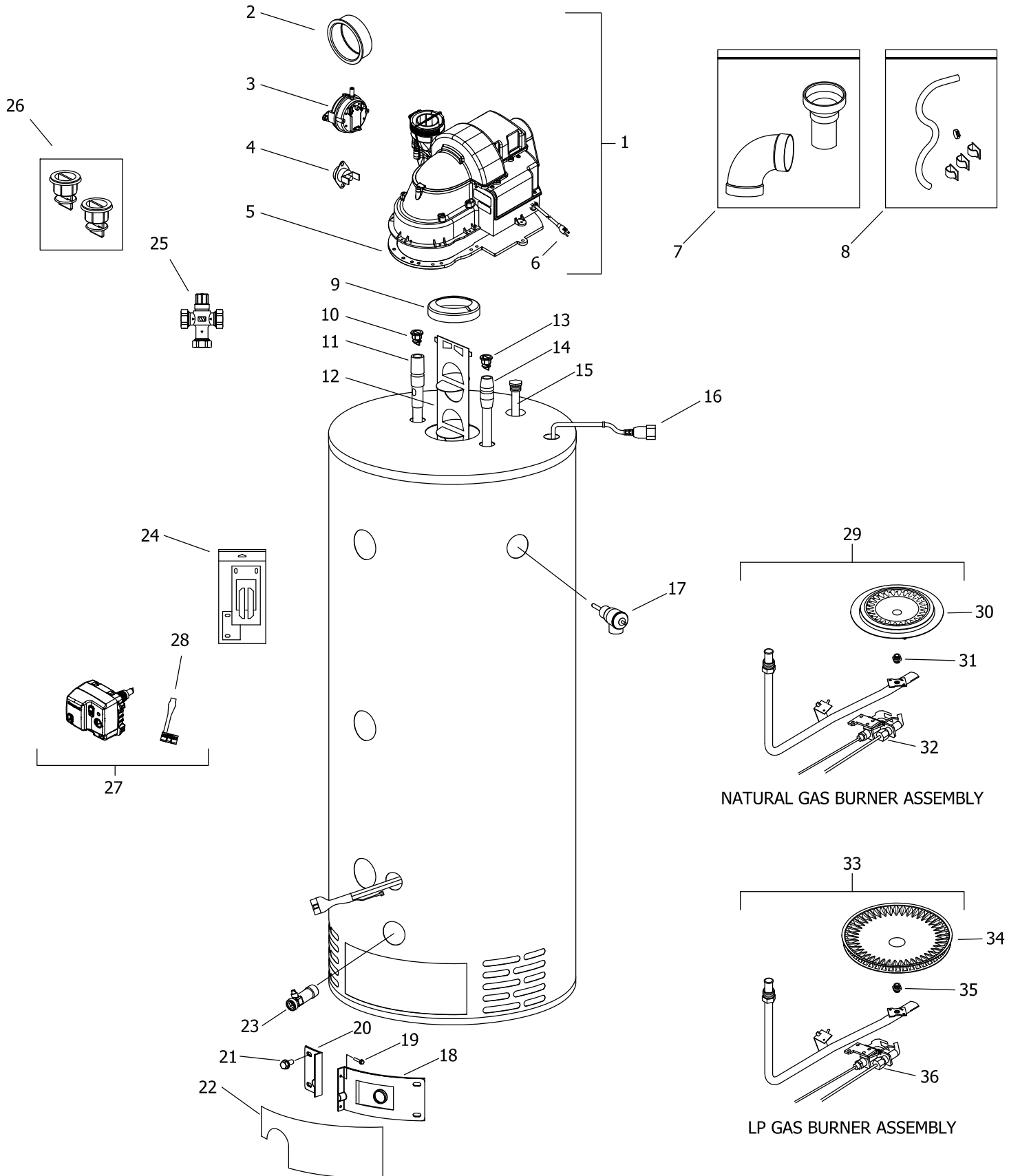
** Ordering a complete burner assembly may increase delivery time. Please order the specific component required for the quickest delivery.

▲ Order with item 10.

▲▲ Order with item 13.

A420 Anode may need to be cut to length

C(D,S)W2TW75T SERIES



NATURAL GAS BURNER ASSEMBLY

LP GAS BURNER ASSEMBLY

Item	Description	Model
		C(D,S)W2TW75T10(BN,SX)
1	Blower Complete	415-54694-00
2	Gasket Adapter Rubber PVC	415-53864-00
3	Pressure Switch	415-45867-07
4	Blower Temperature Switch	239-53995-00
5	Blower Gasket	239-53693-00
6	Blower Power Cord	239-45990-00
7	3" Vent Adaptor with Vent Terminal	239-54316-00
8	Condensate Hose Kit (Optional)	239-45875-00
9	Flue Reducer	243-42572-00
10	Heat Trap Insert (Outlet)	239-45073-00
11	Hot Water Outlet Anode (Aluminum) ▲	224-47778-12
	Hot Water Outlet Anode (A420 Aluminum) ▲#	224-49560-08
12	Flue Baffle	239-45373-00
13	Heat Trap Insert (Inlet)	239-45073-00
14	Cold Water Inlet Dip Tube ▲▲	229-39628-15
15	Plug Type Anode (Aluminum)	224-47783-07
16	Blower Harness	239-53966-02
17	T&P Valve	230-40594-02
18	Right Side Inner Door	239-45642-18
19	Screw #8-15 x 3/4	239-44195-00
20	Left Side Inner Door	239-43968-18
21	Screw #10-12 x 3/4	239-44113-00
22	Outer Door	243-43962-00
23	Brass Drain Valve	227-48070-02
24	Kit-Inner Door Gasket	239-44078-00
25	ASSE Approved Mixing Valve	239-51778-00
26	Kit-Heat Trap Insert	265-45419-00
27	Gas Valve Natural Gas	239-48795-04
	Gas Valve LP Gas	239-48796-04
28	Simulated Resistive Device Harness	239-49817-00
	Natural Gas (BN) Burner Assembly	
29	Nat. Gas (BN) Burner Assembly Complete**	265-54340-01-21
30	Nat. Gas (BN) Burner*	228-42506-00
31	Nat. Gas (BN) Main Burner Orifice*	234-41034-21
32	Nat. Gas Pilot Assembly*	233-45653-02
	LP Gas (SX) Burner Assembly	
33	LP Gas (SX) Burner Assembly Complete**	265-54342-01-40
34	LP Gas (SX) Burner*	228-54313-00
35	LP Gas (SX) Main Burner Orifice*	234-47064-40
36	LP Gas Pilot Assembly*	233-54338-02

* Inner door gasket kit recommended

** Ordering a complete burner assembly may increase delivery time. Please order the specific component required for the quickest delivery.

▲ Order with item 10.

▲▲ Order with item 13.

A420 Anode may need to be cut to length

Reference Chart of Anode Length by Model

Model	AOD Anode Cut (End to end)		Hex Head Anode Cut Length (End to end)	
	Inches	Millimeters	Inches	Millimeters
C(D,S)W2TW50T10F(BN,SX)	47.5	1207	39	991
C(D,S)W2TW75T10(BN,SX)	42.5	1080	39	991



United States

Sales 800-523-2931

Technical Support 800-334-3393

Email techserv@bradfordwhite.com

Warranty 800-531-2111

Email warranty@bradfordwhite.com

Service Parts 800-538-2020

Email parts@bradfordwhite.com

Canada

Sales & Technical Support 866-690-0961 905-03-0600

Fax 905-636-0666

Warranty bwccwarranty@bradfordwhite.com

Technical Support bwccotech@bradfordwhite.com

Service Parts orders@bradfordwhitecanada.com

Orders ca.orders@bradfordwhite.com

For U.S. and Canada field service,
contact your professional installer or
local Bradford White sales representative.

International

General Contact international@bradfordwhite.com