



BRADFORD WHITE[®]
W A T E R H E A T E R S

**RESIDENTIAL AND LIGHT DUTY COMMERCIAL
REPLACEMENT PARTS LIST**

Atmospheric ICON[®] Gas Control



BRADFORD WHITE
ICON
System[®]

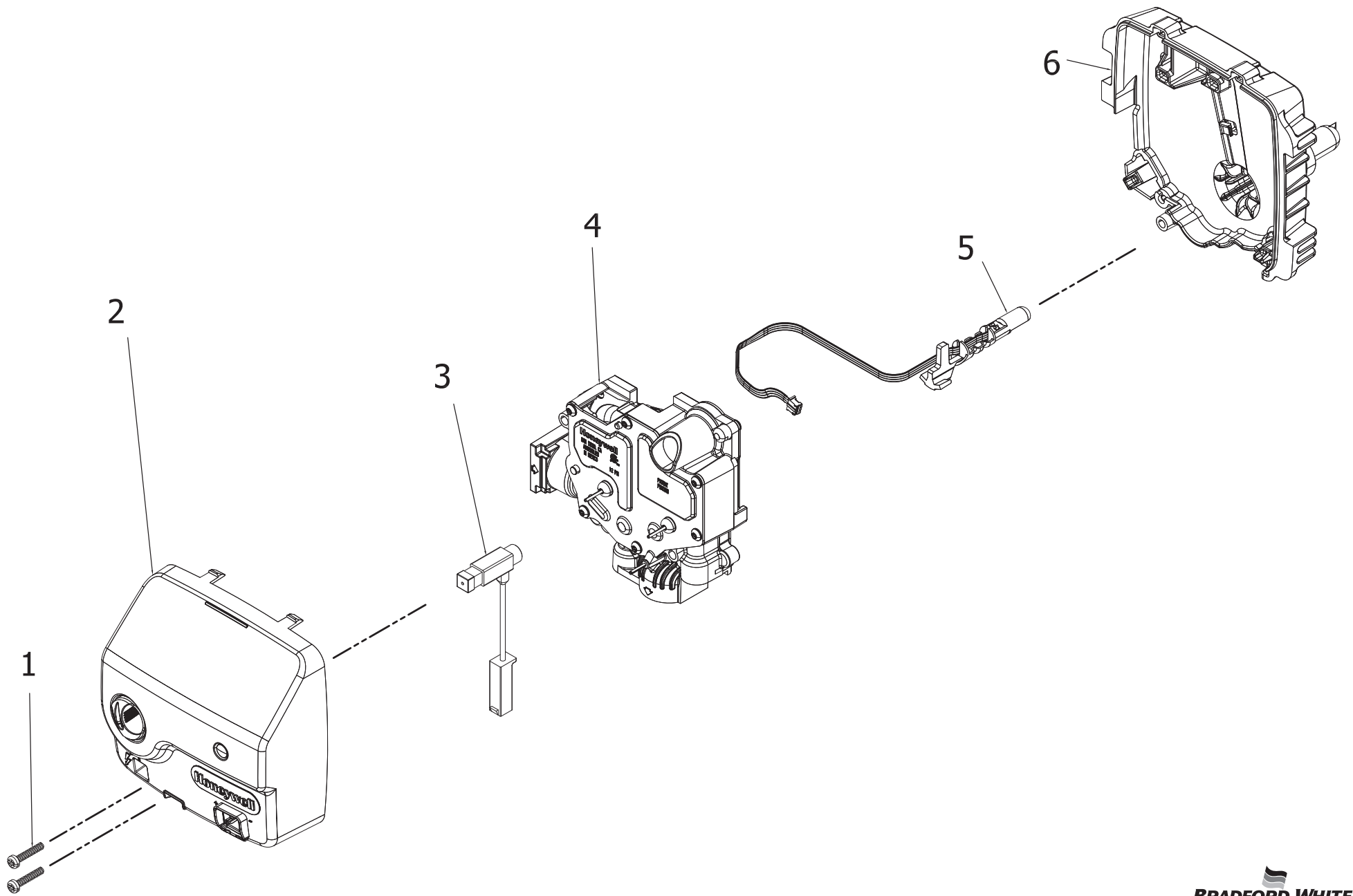
**Effective: June, 2018
ECO 8195**

**NOTE: BOTH MODEL AND SERIAL
NUMBERS ARE REQUIRED FOR
ORDERING REPLACEMENT PARTS**

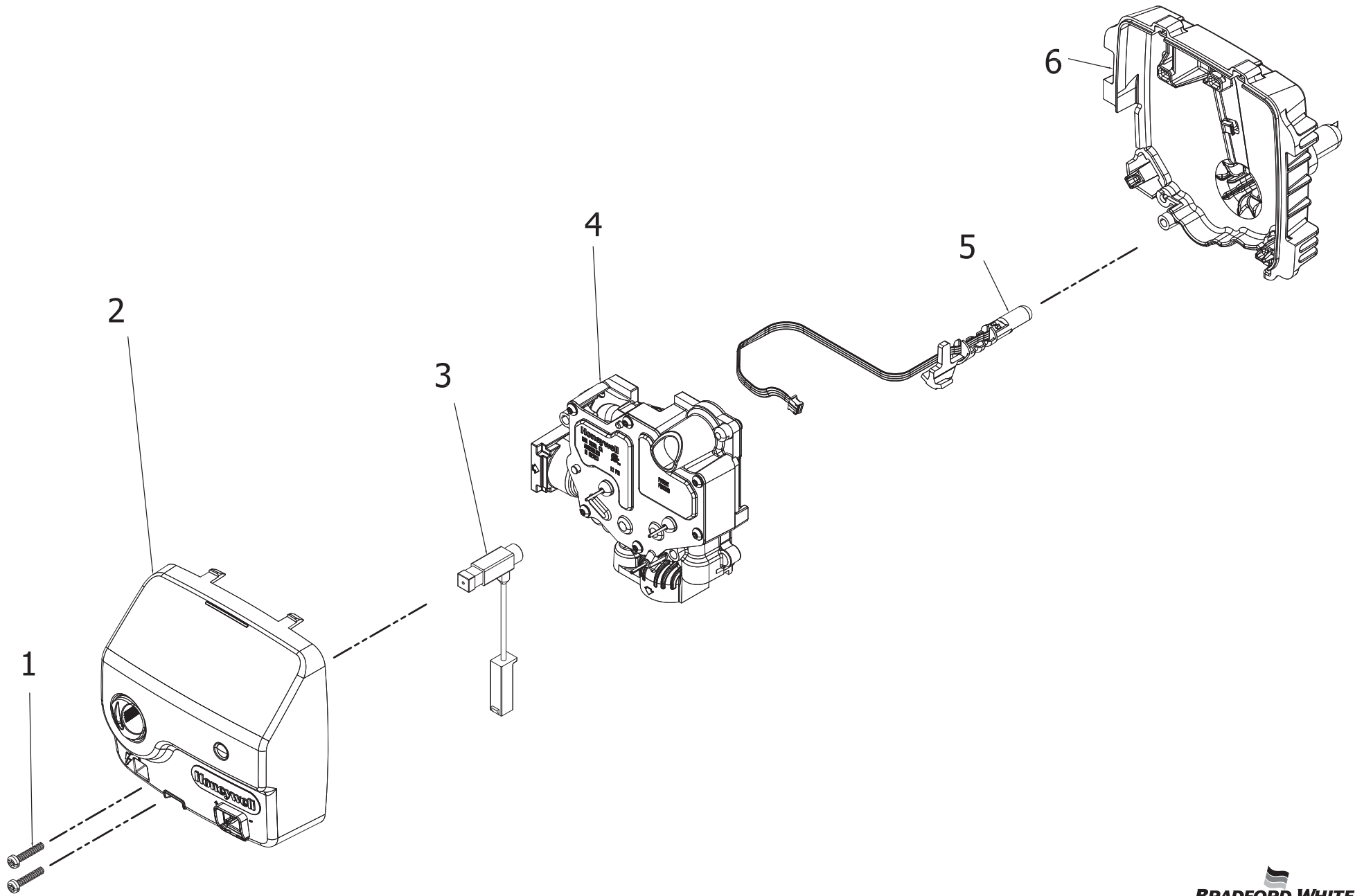
Dimensions and specifications
subject to change without notice.

WARNING
CANCER AND REPRODUCTIVE HARM
WWW.P65WARNINGS.CA.GOV

As required by the state of California Proposition 65.



| Item Description | 222-47463-01 | 222-47463-02 | 222-47464-01 | 222-47464-02 |
|----------------------|--------------------------|--------------------------|--------------------------|--------------------------|
| | 1" Cavity 160 °F Natural | 2" Cavity 160 °F Natural | 1" Cavity 180 °F Natural | 2" Cavity 180 °F Natural |
| 1 Screw-8 x 3/4 PHCR | 239-49699-00 | 239-49699-00 | 239-49699-00 | 239-49699-00 |
| 2 Cover-Gas Control | 239-48416-01 | 239-48416-01 | 239-48416-02 | 239-48416-02 |
| 3 Piezo Ignitor | 239-47954-00 | 239-47954-00 | 239-47954-00 | 239-47954-00 |
| 4 Valve Body | 239-47853-00 | 239-47853-00 | 239-47853-00 | 239-47853-00 |
| 5 Insertion Stick | 239-47854-01 | 239-47854-02 | 239-47854-01 | 239-47854-02 |
| 6 Cover-Rear | 239-47855-01 | 239-47855-02 | 239-47855-01 | 239-47855-02 |



| Item Description | 222-47465-01 | 222-47465-02 | 222-47466-01 | 222-47466-02 |
|----------------------|--------------------------|--------------------------|--------------------------|--------------------------|
| | 1" Cavity 160 °F Natural | 2" Cavity 160 °F Natural | 1" Cavity 180 °F Natural | 2" Cavity 180 °F Natural |
| 1 Screw-8 x 3/4 PHCR | 239-49699-00 | 239-49699-00 | 239-49699-00 | 239-49699-00 |
| 2 Cover-Gas Control | 239-48416-01 | 239-48416-01 | 239-48416-02 | 239-48416-02 |
| 3 Piezo Ignitor | 239-47954-00 | 239-47954-00 | 239-47954-00 | 239-47954-00 |
| 4 Valve Body | 239-47859-00 | 239-47859-00 | 239-47859-00 | 239-47859-00 |
| 5 Insertion Stick | 239-47854-01 | 239-47854-02 | 239-47854-01 | 239-47854-02 |
| 6 Cover-Rear | 239-47860-01 | 239-47860-02 | 239-47860-01 | 239-47860-02 |



BRADFORD WHITE®

W A T E R H E A T E R S

Ambler, PA

For U.S. and Canada field service,
contact your professional installer or
local Bradford White sales representative.

Sales/800-523-2931
Fax/215-641-1670
Parts Fax/215-641-2180

Technical Support/800-334-3393
Fax/269-795-1089

Warranty/800-531-2111
Fax/269-795-1089

International:
Telephone/215-641-9400
Telefax/215-641-9750



BRADFORD WHITE™

W A T E R H E A T E R S

Halton Hills, Ontario, Canada

Sales & Technical Support/866-690-0961
905-203-0600

Fax/905-636-0666

Email

parts@bradfordwhite.com
techserv@bradfordwhite.com

www.bradfordwhite.com