



**BRADFORD WHITE**<sup>®</sup>  
W A T E R   H E A T E R S

**RESIDENTIAL AND LIGHT DUTY COMMERCIAL  
REPLACEMENT PARTS LIST**

**ICON V2 Gas Control**



BRADFORD WHITE  
**ICON**  
System

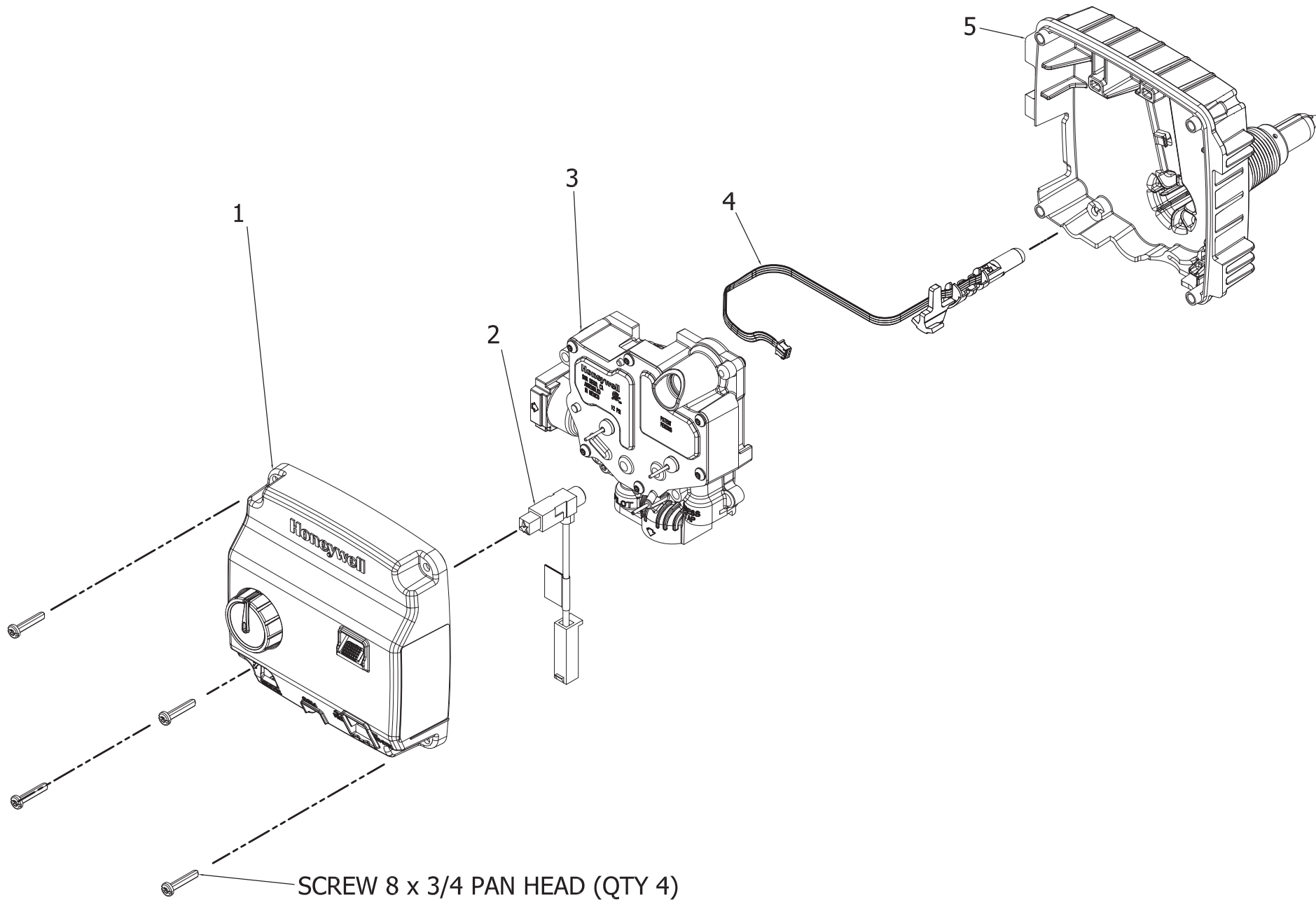
**Effective: November, 2018  
ECO 8188**

**NOTE: BOTH MODEL AND SERIAL  
NUMBERS ARE REQUIRED FOR  
ORDERING REPLACEMENT PARTS**

Dimensions and specifications  
subject to change without notice.

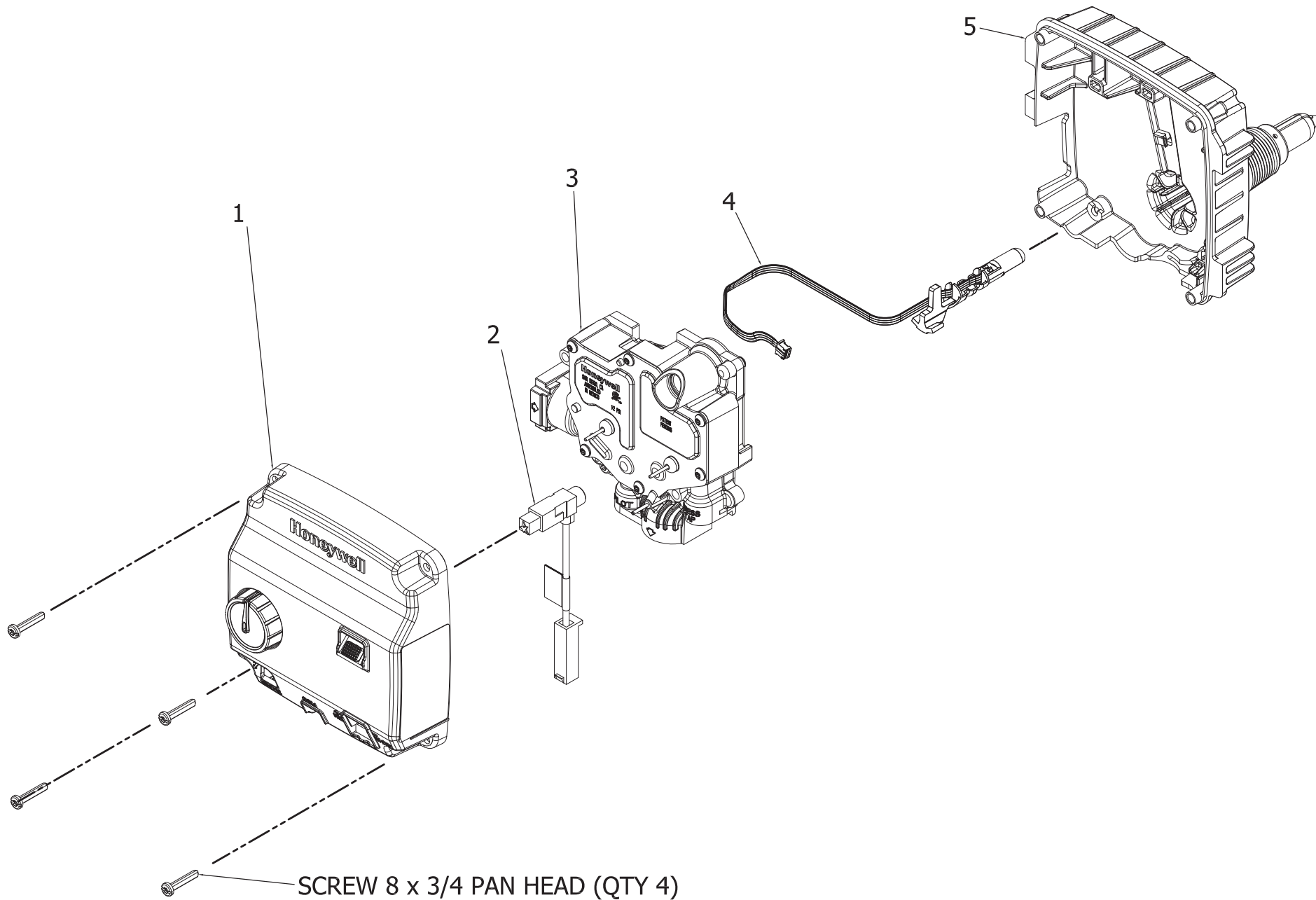
**WARNING**  
CANCER AND REPRODUCTIVE HARM  
[WWW.P65WARNINGS.CA.GOV](http://WWW.P65WARNINGS.CA.GOV)

As required by the state of California Proposition 65.



Item	Description	222-52907-01 1" Cavity 160 °F Natural	222-52907-02 2" Cavity 160 °F Natural	222-52908-02 2" Cavity 180 °F Natural
1	Cover-Gas Control	239-53362-00	239-53362-00	239-53366-00
2	Piezo Ignitor	239-53376-00	239-53376-00	239-53376-00
3	Valve Body	239-53364-00	239-53364-00	N/A*
4	Insertion Stick	239-47854-01	239-47854-02	239-47854-02
5	Cover-Rear	239-53363-01	239-53363-02	239-53363-02

\*Part can not be purchased seperatly, Can be purchased in kit, P/N 415-53360-00.



Item	Description	222-52909-01	222-52909-02	222-52910-02
		1" Cavity 160 °F Natural	2" Cavity 160 °F Natural	2" Cavity 180 °F Natural
1	Cover-Gas Control	239-53362-00	239-53362-00	239-53366-00
2	Piezo Ignitor	239-53376-00	239-53376-00	239-53376-00
3	Valve Body	239-53364-00	239-53364-00	N/A*
4	Insertion Stick	239-47854-01	239-47854-02	239-47854-02
5	Cover-Rear	N/A*	239-53365-02	239-53365-02

\*Part can not be purchased seperatly, Can be purchased in kit, P/N 415-53360-00.



# **BRADFORD WHITE®**

W A T E R H E A T E R S

Ambler, PA

For U.S. and Canada field service,  
contact your professional installer or  
local Bradford White sales representative.

**Sales/800-523-2931**

**Technical Support/800-334-3393**  
**Email/techserv@bradfordwhite.com**

**Warranty/800-531-2111**  
**Email/warranty@bradfordwhite.com**

**Service Parts/800-538-2020**  
**Email/Parts@bradfordwhite.com**

**International:**  
**international@bradfordwhite.com**



# **BRADFORD WHITE™** **CANADA**

Halton Hills, Ontario, Canada

**Sales & Technical Support/866-690-0961**  
**905-203-0600**

**Fax/905-636-0666**

## **Email**

**Warranty/bwccwarranty@bradfordwhite.com**  
**Technical Support/BWCCTech@bradfordwhite.com**  
**Parts/orders@bradfordwhitecanada.com**  
**Orders/ca.orders@bradfordwhite.com**

**www.bradfordwhite.com**