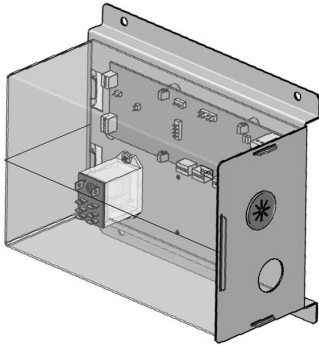


VARI-PRIME[®]

Variable Speed Pump Control for Modulating Condensing Boilers



The VARI-PRIME Control Box for NeoTherm. Shown with a semi-transparent cover for visual effect.

Date:

Project #:

Engineer:

Prepared By:

Bid Date:

| VARI-PRIME | Brute | Brute LC |
|-----------------|----------|----------|
| Field Install | CA013600 | CA009900 |
| Factory Install | - | KM004900 |

Submittal Data  **BRADFORD WHITE**

Project Name:

Location:

Contractor:

Specifications:

- Delta T Settings: 15°F (8°C), 20°F (10°C), 25°F (13°C), 30°F (16°C), 35°F (18°C), 40°F (20°C)
- Output Types: 0-10VDC or 4-20mA
- Dimensions: 7 3/4" x 6 1/4" x 3 3/4"
- Power Voltage: 24 VAC
- Max Operating Temp: 150°F (65°C)

Features:

- Maintains user chosen temperature rise between boiler inlet and outlet.
- Operates in degrees, Fahrenheit or Celsius, user selectable.
- User selectable Delta T settings.
- Protective enclosure.
- Proprietary Boiler System Algorithm:
VARI-PRIME will operate the boiler pump at maximum flow during boiler startup to ensure stable operation is reached before introducing variable water flow. This key feature keeps the boiler's combustion and variable speed pump's flow in phase with each other, protecting the heat exchanger from potential low flow conditions.