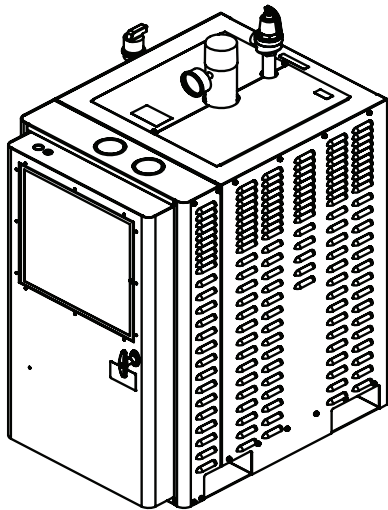


# Commerical Electric Boiler

EB Electric Boiler

Indoor, Sizes 60-300



Date:

Project #:

Engineer:

Prepared By:

Bid Date:

### Submittal Data



Project Name:

Location:

Contractor:

### Standard Features

- ASME pressure vessel
- National Board & CRN registration
- Meets ASME CSD-1
- ASME 30 psi pressure rating and PRV (125 psi optional)
- SCCR rated at 5 kW
- Temp & pressure gauge
- 3" inspection opening
- 3" NPT water connections
- Integrated 1/2" air vent
- Supply and return water temperature sensing
- Digital temperature control with display
- Multi-boiler lead/lag control
- 0-10VDC external boiler control
- Adjustable outdoor reset
- Manual reset high limit, 220°F
- Auto reset high limit, 210°F
- Low water cutoff with manual reset
- Stage active indicator lights
- Circuit breaker or fuse protection on each stage
- Emergency shut-down connection point
- Safety door interlock
- Lockable door latch

### Boiler Data

Number of Units:	208V 3ph Model	240V 3ph Model	480V 3ph Model	600V 3ph Model
<input type="checkbox"/>	<input type="checkbox"/> 60 kW	<input type="checkbox"/> 60 kW	<input type="checkbox"/> 60 kW	<input type="checkbox"/> 60 kW
	<input type="checkbox"/> 75 kW	<input type="checkbox"/> 75 kW	<input type="checkbox"/> 72 kW	<input type="checkbox"/> 72 kW
	<input type="checkbox"/> 90 kW	<input type="checkbox"/> 90 kW	<input type="checkbox"/> 84 kW	<input type="checkbox"/> 84 kW
	<input type="checkbox"/> 105 kW	<input type="checkbox"/> 105 kW	<input type="checkbox"/> 96 kW	<input type="checkbox"/> 96 kW
	<input type="checkbox"/> 120 kW	<input type="checkbox"/> 120 kW	<input type="checkbox"/> 108 kW	<input type="checkbox"/> 108 kW
	<input type="checkbox"/> 135 kW	<input type="checkbox"/> 135 kW	<input type="checkbox"/> 120 kW	<input type="checkbox"/> 120 kW
	<input type="checkbox"/> 150 kW	<input type="checkbox"/> 150 kW	<input type="checkbox"/> 132 kW	<input type="checkbox"/> 132 kW
	<input type="checkbox"/> 165 kW	<input type="checkbox"/> 165 kW	<input type="checkbox"/> 144 kW	<input type="checkbox"/> 144 kW
	<input type="checkbox"/> 180 kW	<input type="checkbox"/> 180 kW	<input type="checkbox"/> 160 kW	<input type="checkbox"/> 160 kW
			<input type="checkbox"/> 180 kW	<input type="checkbox"/> 180 kW
			<input type="checkbox"/> 200 kW	<input type="checkbox"/> 200 kW
			<input type="checkbox"/> 220 kW	<input type="checkbox"/> 220 kW
			<input type="checkbox"/> 240 kW	<input type="checkbox"/> 240 kW
			<input type="checkbox"/> 260 kW	<input type="checkbox"/> 260 kW
			<input type="checkbox"/> 280 kW	<input type="checkbox"/> 280 kW
			<input type="checkbox"/> 300 kW	<input type="checkbox"/> 300 kW

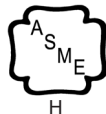
### Factory Mounted Options

- 125 psi vessel & PRV
- BACnet interface
- LonWorks interface
- T775R system control

- Fault monitor, mounted and wired\*

\*Important Notes:

1. Fault monitor CANNOT be used with Wye power systems.
2. If power system is Delta, ground fault protection is required. The fault monitor option shown will satisfy this requirement. Job site may already have ground fault protection in place. Confirm before ordering this option.



## Specifications

Model Number	Voltage 3-Phase	kW	Btu/hour Output	Total Amps	Amps		Element Quantity	Steps	Flow Rate @ 20°F dT Required gpm	Boiler Weight (lbs)
					Feed#1	Feed#2				
EB-060-208 (X,H)	208	60	204728	166.5	166.5	-	4	4 @ 15	21	680
EB-075-208 (X,H)	208	75	255910	208.2	208.2	-	5	5 @ 15	26	685
EB-090-208 (X,H)	208	90	307092	249.8	249.8	-	6	6 @ 15	31	690
EB-105-208 (X,H)	208	105	358274	291.5	291.5	-	7	7 @ 15	36	695
EB-120-208 (X,H)	208	120	409457	333.1	333.1	-	8	8 @ 15	41	700
EB-135-208 (X,H)	208	135	460639	374.7	208.2	166.5	9	9 @ 15	47	705
EB-150-208 (X,H)	208	150	511821	416.4	208.2	208.2	10	10 @ 15	52	710
EB-165-208 (X,H)	208	165	563003	458.0	249.8	208.2	11	11 @ 15	57	715
EB-180-208 (X,H)	208	180	614185	499.6	249.8	249.8	12	12 @ 15	62	720
EB-060-240 (X,H)	240	60	204728	144.3	144.3	-	4	4 @ 15	21	680
EB-075-240 (X,H)	240	75	255910	180.4	180.4	-	5	5 @ 15	26	685
EB-090-240 (X,H)	240	90	307092	216.5	216.5	-	6	6 @ 15	31	690
EB-105-240 (X,H)	240	105	358274	252.6	252.6	-	7	7 @ 15	36	695
EB-120-240 (X,H)	240	120	409457	288.7	288.7	-	8	8 @ 15	41	700
EB-135-240 (X,H)	240	135	460639	324.8	180.4	144.3	9	9 @ 15	47	705
EB-150-240 (X,H)	240	150	511821	360.8	180.4	180.4	10	10 @ 15	52	710
EB-165-240 (X,H)	240	165	563003	396.9	216.5	180.4	11	11 @ 15	57	715
EB-180-240 (X,H)	240	180	614185	433.0	216.5	216.5	12	12 @ 15	62	720
EB-060-480 (X,H)	480	60	204728	72.2	72.2	-	5	5 @ 12	21	685
EB-072-480 (X,H)	480	72	245674	86.6	86.6	-	6	6 @ 12	25	690
EB-084-480 (X,H)	480	84	286619	101.0	101.0	-	7	7 @ 12	29	695
EB-096-480 (X,H)	480	96	327565	115.5	115.5	-	8	8 @ 12	33	700
EB-108-480 (X,H)	480	108	368511	129.9	72.2	57.7	9	9 @ 12	37	705
EB-120-480 (X,H)	480	120	409457	144.3	72.2	72.2	10	10 @ 12	41	710
EB-132-480 (X,H)	480	132	450402	158.8	78.6	72.2	11	11 @ 12	45	715
EB-144-480 (X,H)	480	144	491348	173.2	86.6	86.6	12	12 @ 12	50	720
EB-160-480 (X,H)	480	160	545942	192.5	192.5	-	8	8 @ 20	55	700
EB-180-480 (X,H)	480	180	614185	216.5	120.3	96.2	9	9 @ 20	62	705
EB-200-480 (X,H)	480	200	682428	240.6	120.3	120.3	10	10 @ 20	69	710
EB-220-480 (X,H)	480	220	750671	264.6	144.3	120.3	11	11 @ 20	76	715
EB-240-480 (X,H)	480	240	818914	288.7	144.3	144.3	12	12 @ 20	82	720
EB-260-480 (X,H)	480	260	887156	312.7	168.4	144.4	13	13 @ 20	89	725
EB-280-480 X	480	280	955400	336.8	168.4	168.4	14	14 @ 20	96	730
EB-280-480 H	480	278	948575	334.4	168.4	166.0	13	7@20 - 6@23	95	725
EB-300-480 X	480	300	1023642	360.8	192.5	168.4	15	15 @ 20	103	735
EB-300-480 H	480	299	1020230	359.6	193.7	166.0	13	13 @ 23	102	725
EB-060-600 (X,H)	600	60	204728	57.7	57.7	-	5	5 @ 12	21	685
EB-072-600 (X,H)	600	72	245674	69.3	69.3	-	6	6 @ 12	25	690
EB-084-600 (X,H)	600	84	286619	80.8	80.8	-	7	7 @ 12	29	695
EB-096-600 (X,H)	600	96	327565	92.4	92.4	-	8	8 @ 12	33	700
EB-108-600 (X,H)	600	108	368511	103.9	57.7	46.2	9	9 @ 12	37	705
EB-120-600 (X,H)	600	120	409457	115.5	57.7	57.7	10	10 @ 12	41	710
EB-132-600 (X,H)	600	132	450402	127.0	69.3	57.7	11	11 @ 12	45	715
EB-144-600 (X,H)	600	144	491348	138.6	69.3	69.3	12	12 @ 12	50	720
EB-160-600 (X,H)	600	160	545942	154.0	154.0	-	8	8 @ 20	55	700
EB-180-600 (X,H)	600	180	614185	173.2	96.2	77.0	9	9 @ 20	62	705
EB-200-600 (X,H)	600	200	682428	192.5	96.2	96.2	10	10 @ 20	69	710
EB-220-600 (X,H)	600	220	750671	211.7	115.5	96.2	11	11 @ 20	76	715
EB-240-600 (X,H)	600	240	818914	230.9	115.5	115.5	12	12 @ 20	82	720
EB-260-600 (X,H)	600	260	887156	250.2	134.7	115.5	13	13 @ 20	89	725
EB-280-600 X	600	280	955400	269.4	134.7	134.7	14	14 @ 20	96	730
EB-280-600 H	600	278	948575	267.5	134.7	132.8	13	7@20 - 6@23	95	725
EB-300-600 X	600	300	1023642	288.7	154.0	134.7	15	15 @ 20	103	735
EB-300-600 H	600	299	1020230	287.7	154.9	132.8	13	13 @ 23	102	725

Note: "H" denotes optional 125psi model

## Clearances

	Minimum Clearance From Combustible Surfaces		Suggested Minimum Service Clearance	
	inches	cm	inches	cm
Back	0	0	0	0
Left	12	30	24	61
Right	8	20	12	30
Front	24	61	36	91
Top	26	66	26	66

## Dimensional Data

