



## INTERNATIONAL ELECTRIC REPLACEMENT PARTS LIST

### BW200 & BW300 Electric Models

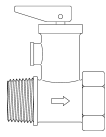


**Models Covered:**  
**BW200-R1NCPP**  
**BW300-R1NCPP**  
**BW200-R1NCWW**  
**BW300-R1NCWW**  
**BW200-R1NCZZ**  
**BW300-R1NCZZ**  
**BW200-R3GPP**  
**BW200-R3GZZ**  
**BW300-R3GWW**  
**BW300-R3GZZ**

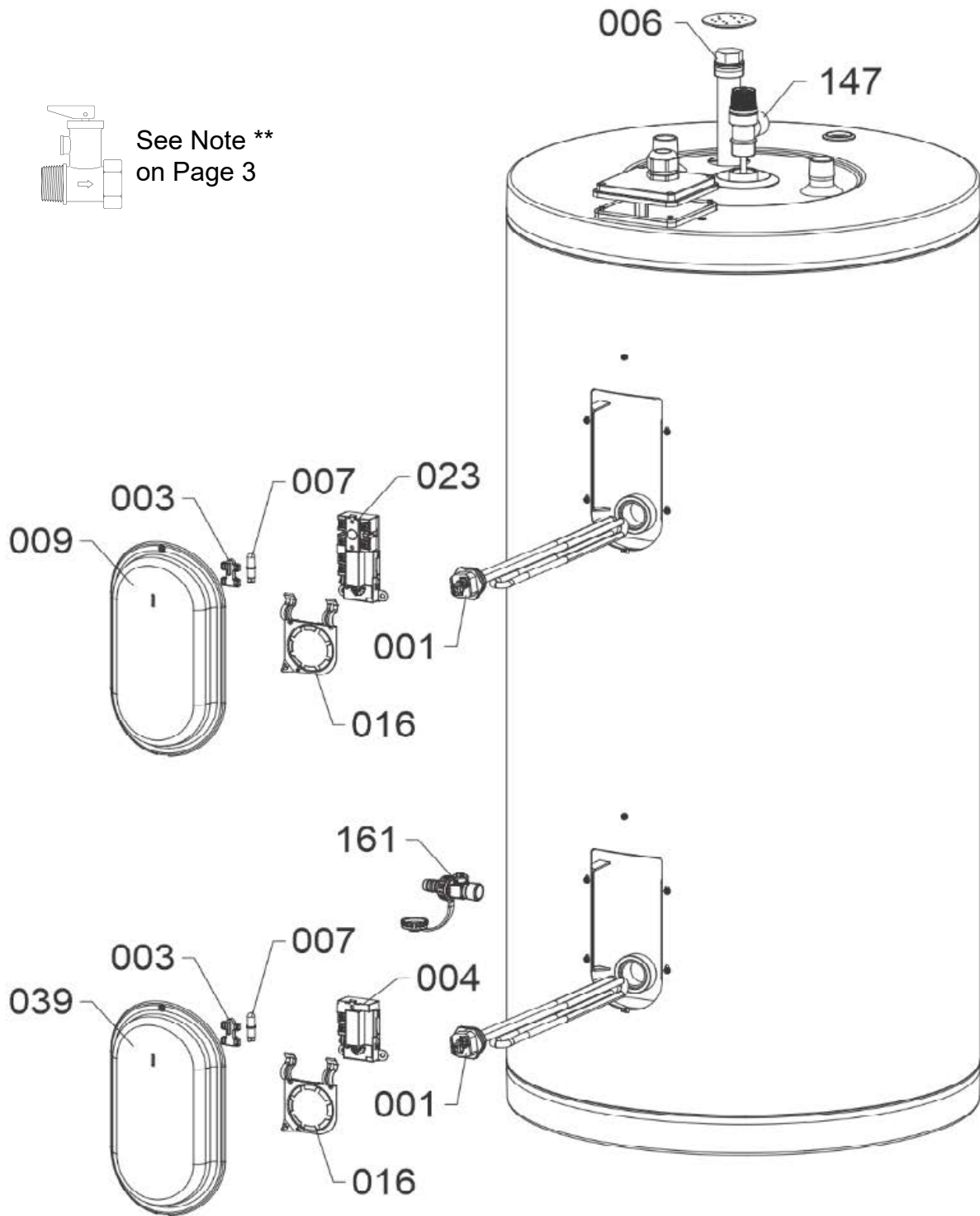
***Effective: August, 2022***  
***ECO 8582***

**NOTE: BOTH MODEL AND SERIAL  
NUMBERS ARE REQUIRED FOR  
ORDERING REPLACEMENT PARTS**

Dimensions and specifications  
subject to change without notice.



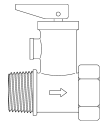
See Note \*\*  
on Page 3



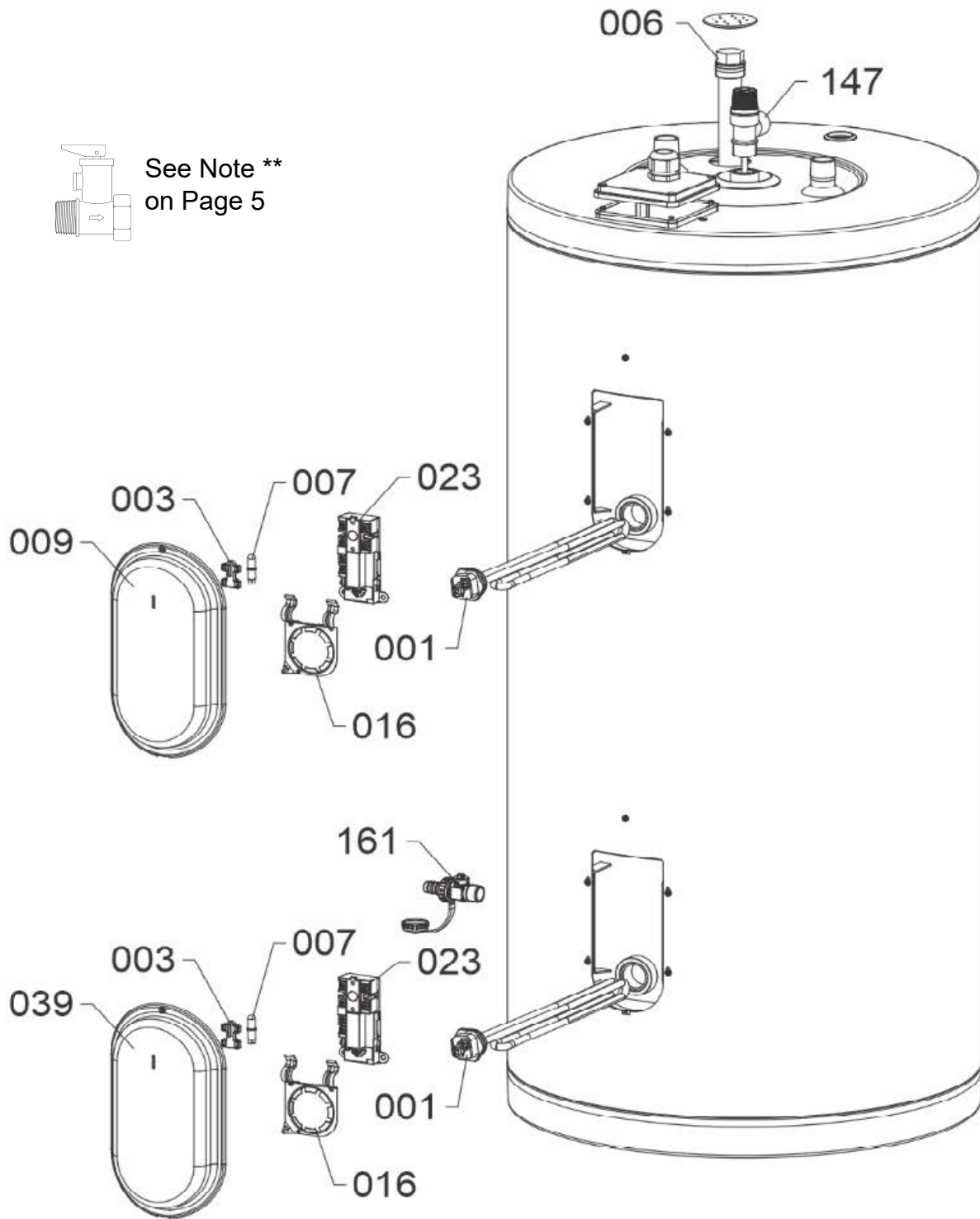
	Part Description	BW200 or BW300 - R1NCPP	BW200* or BW300* - R1NCWW	BW200 or BW300 - R1NCZZ
1	HEATING ELEMENT	100848	100849	100850
3	LENS EWH GN	680167		
4	THERMOSTAT 59TSPDT	100817		
6	ANODE	269457		
7	PILOT INDICATOR	100246		
9	HEATER COVER (UPPER ELEMENT BWC)	101396		
16	THERMOSTAT HOLDER	661872		
23	THERMOSTAT W. SAFETY CUT OUT 59T/66T	100816		
39	HEATER COVER (LOWER ELEMENT)	101062		
147	TEMP-PRESSURE VALVE G3/4 9BAR	566158		
161	DRAIN VALVE G 1/2	514178		

\*BW200 & BW300 - R1NCWW part numbers valid for standard models or -KSA models.

\*\* Combination pressure & check valve for BW200 - KSA models: Part # 101464



See Note \*\*  
on Page 5



	Part Description	BW200-R3SGPP	BW200-R3SGZZ	BW300-R3SGWW	BW300-R3SGZZ
1	HEATING ELEMENT	101268	101269	101257	101269
3	LENS EWH GN	680167			
4	THERMOSTAT 59TSPDT	Not Applicable			
6	ANODE	269457			
7	PILOT INDICATOR	101256			
9	HEATER COVER (UPPER ELEMENT BWC)	101396			
16	THERMOSTAT HOLDER	661872			
23	THERMOSTAT W. SAFETY CUT OUT 59T/66T	100816			
39	HEATER COVER (LOWER ELEMENT)	101062			
147	TEMP-PRESSURE VALVE G3/4 9BAR	566158			
161	DRAIN VALVE G 1/2	514178			

\*\* Combination pressure & check valve for BW200 - KSA models: Part # 101464



## **International**

---

**General Contact** *international@bradfordwhite.com*

**Warranty** *export.warranty@bradfordwhite.com*