



**BRADFORD WHITE**<sup>®</sup>  
W A T E R H E A T E R S

**INDIRECT WATER HEATER  
REPLACEMENT PARTS LIST**

**PowerStor Series<sup>™</sup> SS  
Single-Wall Indirect Water Heater Models**

**SS-(30,40,50,75,120)-L**



Includes Hydrojet<sup>®</sup>  
Total Performance System

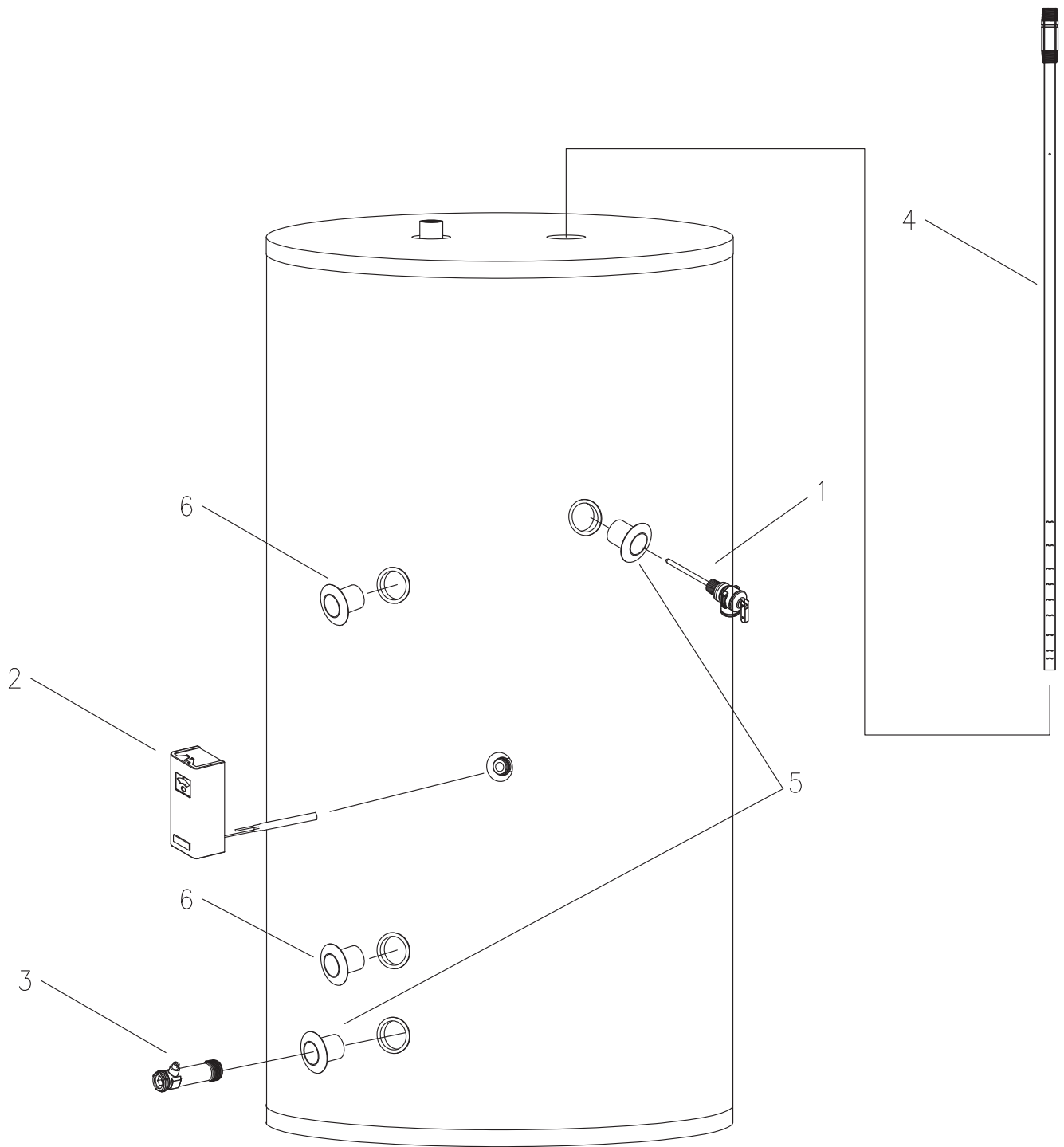
***Effective: April, 2018  
ECO 8105***

**NOTE: BOTH MODEL AND SERIAL  
NUMBERS ARE REQUIRED FOR  
ORDERING REPLACEMENT PARTS**

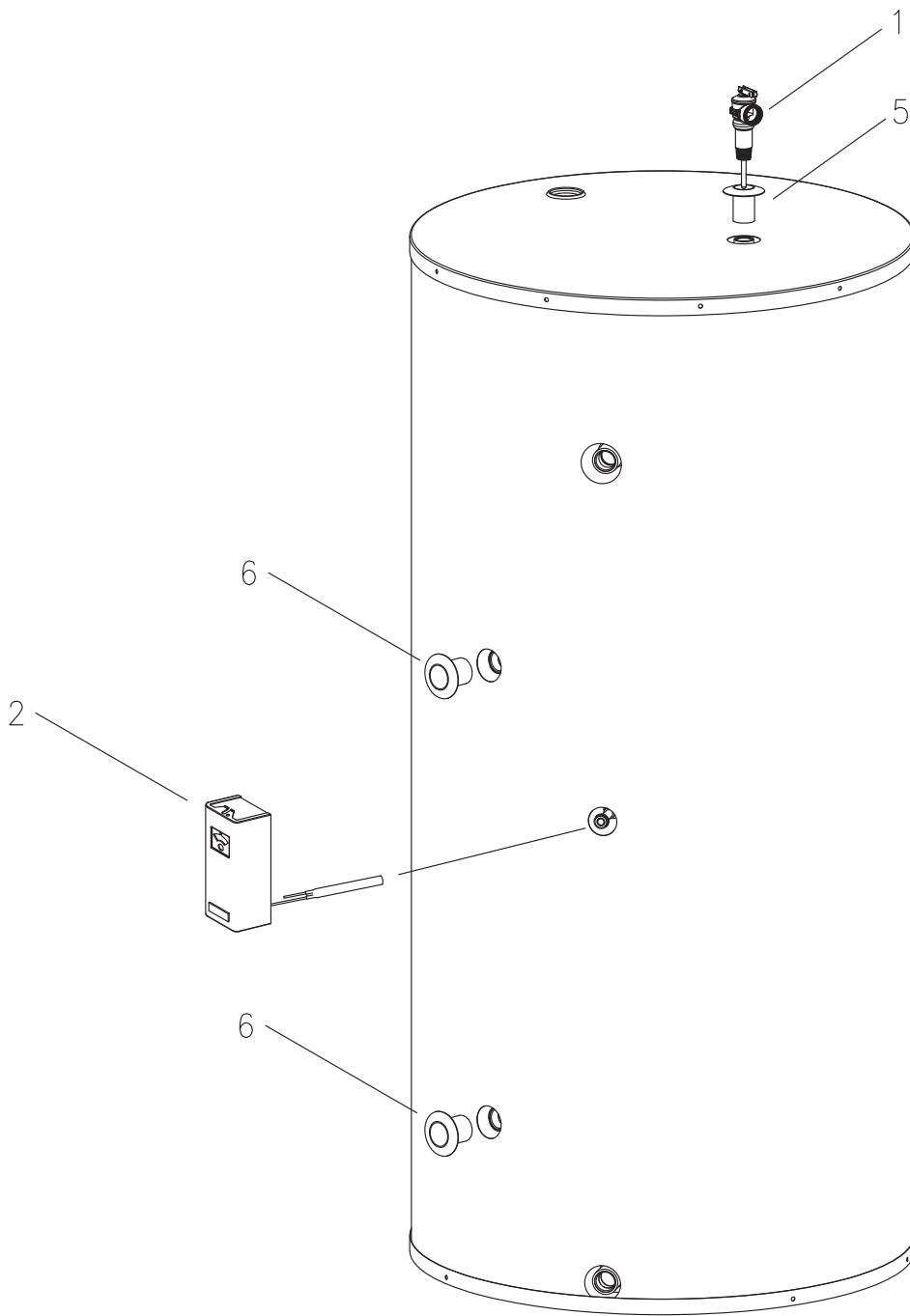
Dimensions and specifications  
subject to change without notice.

**WARNING**  
CANCER AND REPRODUCTIVE HARM  
[WWW.P65WARNINGS.CA.GOV](http://WWW.P65WARNINGS.CA.GOV)

As required by the state of California Proposition 65.



Item	Description	Model	Model	Model	Model
		SS-30-L	SS-40-L	SS-50-L	SS-75-L
1	T&P Relief Valve	230-40594-02	230-40594-02	230-40594-02	230-40594-02
2	Aquastat	233-43381-00	233-43381-00	233-43381-00	233-43381-00
3	Drain Valve	227-48070-01	227-48070-01	227-48070-01	227-48070-01
4	Diptube	229-52964-01	229-52964-02	229-52964-03	229-52964-04
5	T&P/Drain Escutcheon	239-52963-00	239-52963-00	239-52963-00	239-52963-00
6	Coil Fitting Escutcheon	239-52966-00	239-52966-00	239-52966-00	239-52966-00



Item	Description	Model
		SS-120-L
1	T&P Relief Valve	230-40594-02
2	Aquastat	233-43381-00
3	Drain Valve	N/A
4	Diptube	N/A
5	T&P/Drain Escutcheon	239-52963-00
6	Coil Fitting Escutcheon	239-52966-00



# **BRADFORD WHITE®**

W A T E R H E A T E R S

Ambler, PA

For U.S. and Canada field service,  
contact your professional installer or  
local Bradford White sales representative.

**Sales/800-523-2931**

**Technical Support/800-334-3393**  
**Email/techserv@bradfordwhite.com**

**Warranty/800-531-2111**  
**Email/warranty@bradfordwhite.com**

**Service Parts/800-538-2020**  
**Email/Parts@bradfordwhite.com**

**International:**  
**international@bradfordwhite.com**



# **BRADFORD WHITE™** **CANADA**

Halton Hills, Ontario, Canada

**Sales & Technical Support/866-690-0961**  
**905-203-0600**

**Fax/905-636-0666**

## **Email**

**Warranty/bwccwarranty@bradfordwhite.com**  
**Technical Support/BWCCTech@bradfordwhite.com**  
**Parts/orders@bradfordwhitecanada.com**  
**Orders/ca.orders@bradfordwhite.com**

**www.bradfordwhite.com**