



COMMERCIAL GAS REPLACEMENT PARTS LIST

High Efficiency Gas Water Heater



Models Covered:

EF60T(125,150,199)(E*N)(*X)(A)2

EF100T(150,199,250,300)(E*N)(*X)(A)2

(Serial Number XC***** and AFTER)

Includes Hydrojet®
Total Performance System

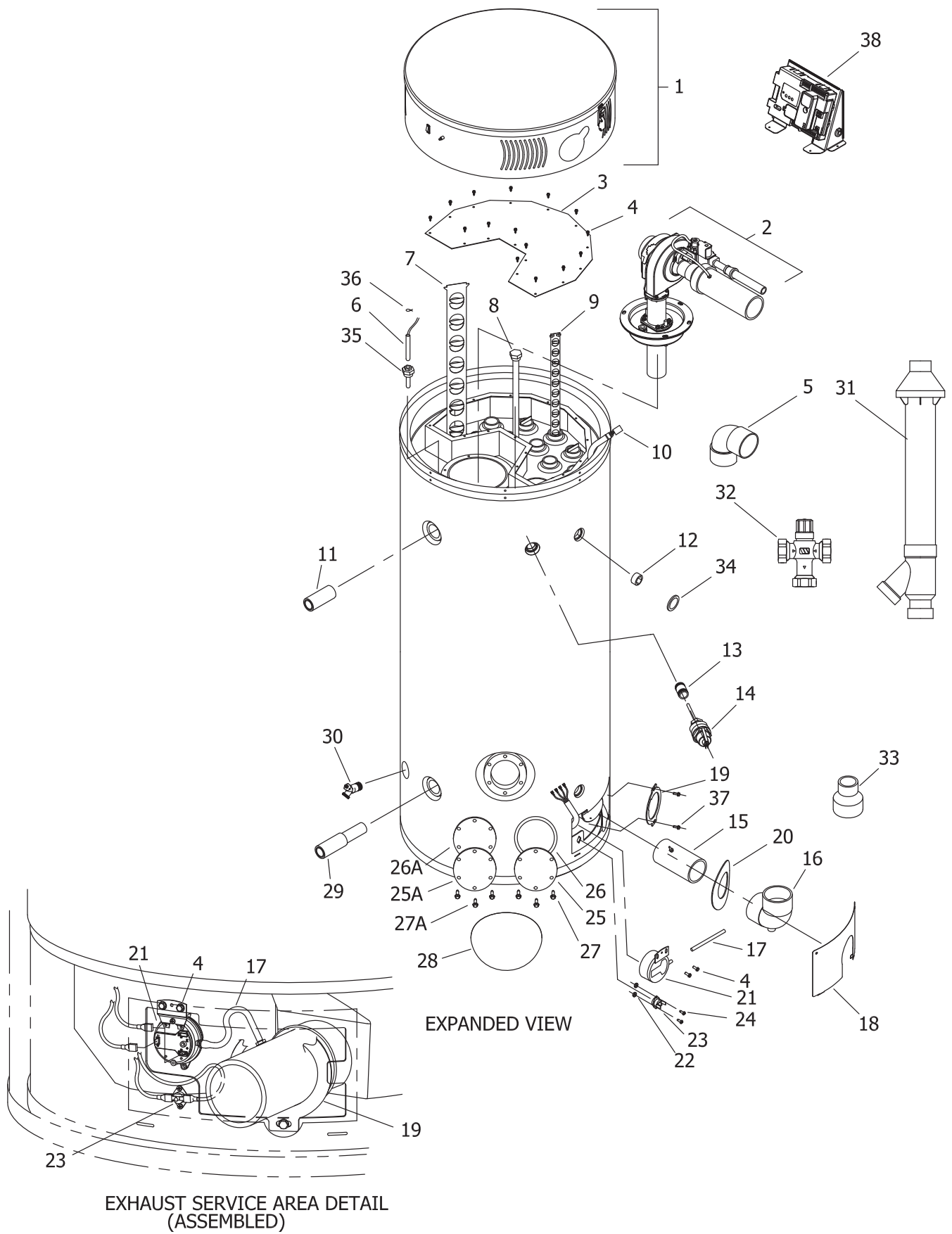
Effective: March, 2021
ECO 8363-1

NOTE: BOTH MODEL AND SERIAL
NUMBERS ARE REQUIRED FOR
ORDERING REPLACEMENT PARTS

Dimensions and specifications
subject to change without notice.

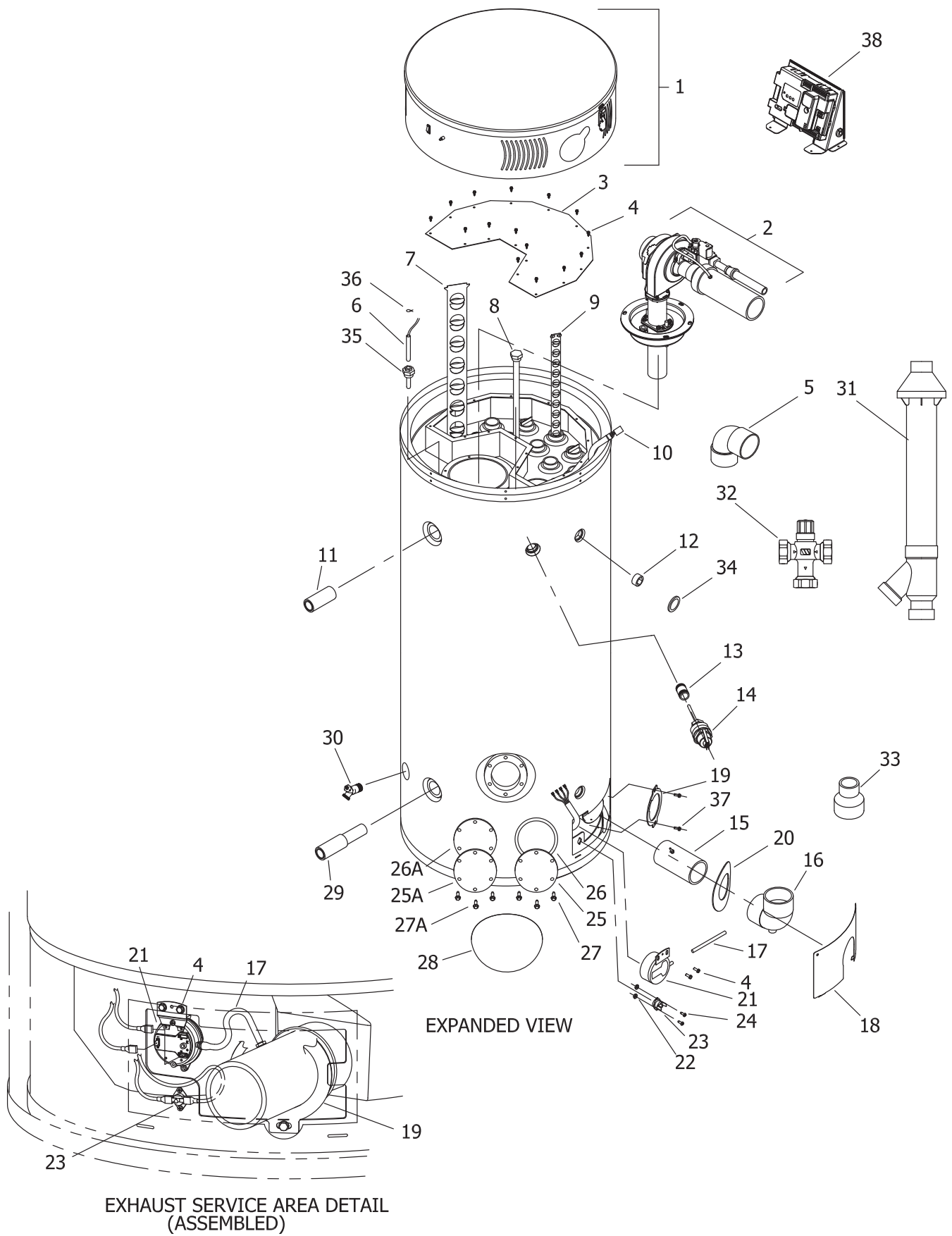


As required by the state of California Proposition 65.



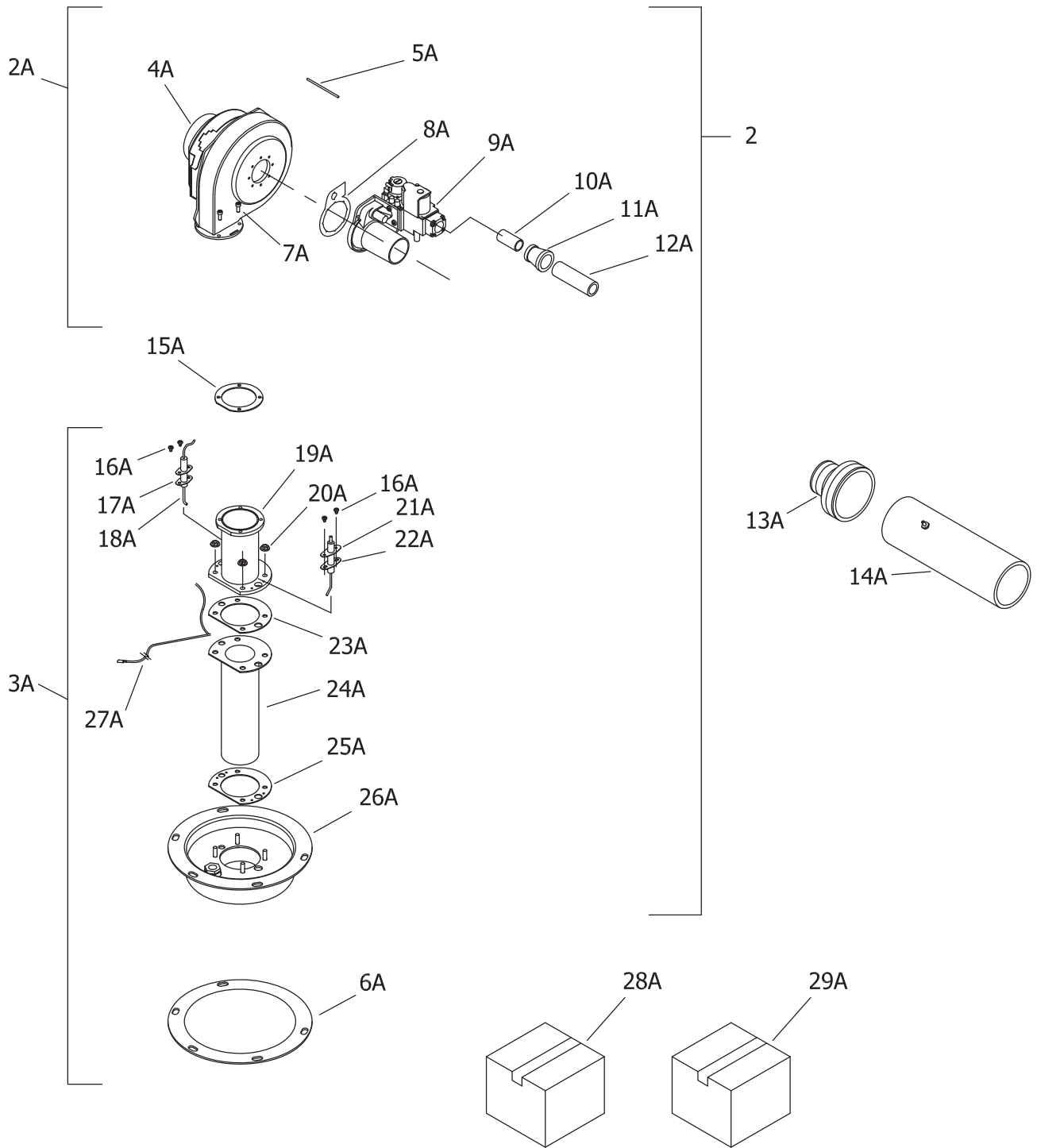
Item Description	Model	Model	Model
	EF60T125(E)*(N,X)(A)2	EF60T150(E)*(N,X)(A)2	EF60T199(E)*(N,X)(A)2
1 Combustion Surround Assembly	See Page 12	See Page 12	See Page 12
2 Combustion System Assembly	See Page 8	See Page 8	See Page 8
3 Collector Cover Second Pass	239-52975-00	239-52975-00	239-52975-00
4 Screw 10-16 x 3/4	239-44444-00	239-44444-00	239-44444-00
5 Elbow-Vent Terminal (2 Req'd)	---	---	---
Elbow-Vent Terminal	239-40579-00	239-40579-00	239-40579-00
Coupling-Vent Terminal	239-46740-00	239-46740-00	239-46740-00
6 Temperature Sensor	239-46553-02	239-46553-02	239-46553-02
7 Baffle 4" Flue (2 Req'd)	243-43304-00	243-43304-00	243-43304-00
8 Anode Rod (Powered) (2 Req'd)#	224-53839-00	224-53839-00	224-53839-00
9 Baffle 2" Flue (8 Req'd)	239-45659-00	239-45659-00	239-45659-00
10 Wire Harness-Service Panel	239-43358-02	239-43358-02	239-43358-02
11 Nipple Hot Water Outlet Plastisert (Front Connect)	229-40913-07	229-40913-07	229-40913-07
12 Pipe Plug 1" NPT	239-02048-00	239-02048-00	239-02048-00
13 Nipple Plastisert T&P	229-32762-02	229-32762-02	229-32762-02
14 T&P Relief Valve	230-30246-00	230-30246-00	230-30246-00
15 Exhaust Vent Pipe	239-45971-00	239-45971-00	239-45971-00
16 Condensate Elbow	239-43211-00	239-43211-00	239-43211-00
17 Silicone Tubing 3/16" I.D.	239-41718-00	239-41718-00	239-41718-00
18 Outer Door Service Panel	243-44668-00	243-44668-00	243-44668-00
19 Bracket Exhaust Support	239-44667-00	239-44667-00	239-44667-00
20 Escutcheon-Exhaust Pipe (EF Series)	239-43997-00	239-43997-00	239-43997-00
21 Exhaust Pressure Switch	239-46037-01	239-46037-01	239-46037-01
22 Keps Nut (2 Req'd)	239-81844-00	239-81844-00	239-81844-00
23 Hi-Limit Switch	239-43238-02	239-43238-02	239-43238-02
24 Screw 6-32 x 3/8 (2 Req'd)	239-81843-00	239-81843-00	239-81843-00
25 Cleanout Cover	205-18428-00	205-18428-00	205-18428-00
25A Cleanout Cover (ASME)	205-32941-00	205-32941-00	205-32941-00
26 Cleanout Gasket	205-18427-00	205-18427-00	205-18427-00
26A Cleanout Gasket (ASME)	205-32942-00	205-32942-00	205-32942-00
27 Screw 5/16 - 18 x 1/2	239-82166-00	239-82166-00	239-82166-00
27A Screw 5/16 - 18 x 1/2 (ASME) (6 Req'd)	239-32970-00	239-32970-00	239-32970-00
28 Clean Out Access Cover	243-20299-00	243-20299-00	243-20299-00
29 Dip Tube w/ Nipple Hydrojet (Front Connect)	229-44375-00	229-44375-00	229-44375-00
30 Drain Valve Brass (No Handle)	265-42351-02	265-42351-02	265-42351-02
31 Coaxial Vent Pipe with Terminal (Optional)	239-44069-01	239-44069-01	239-44069-01
32 Approved Mixing Valve (Optional)	239-51778-00	239-51778-00	239-51778-00
33 Reducer 3" x 2"	---	---	---
34 Hole Closure	239-31547-02	239-31547-02	239-31547-02
35 Sensor Well	233-46558-01	233-46558-01	233-46558-01
36 Clip Thermostat	233-45242-00	233-45242-00	233-45242-00
37 Screw 1/4-20 x 5/8 Hex Washer (2 Req'd)	239-42637-00	239-42637-00	239-42637-00
38 ICON Control Box and Wiring	243-54158-00	243-54158-00	243-54158-00

* Applies to all warranties



Item Description	Model	Model	Model	Model
	EF100T150(E)*(N,X)(A)2	EF100T199(E)*(N,X)(A)2	EF100T250(E)*(N,X)(A)2	EF100T300(E)*(N,X)(A)2
1 Combustion Surround Assembly	See Page 10	See Page 10	See Page 10	See Page 12
2 Combustion System Assembly	See Page 6	See Page 6	See Page 6	See Page 8
3 Collector Cover Second Pass	239-52975-00	239-52975-00	239-52975-00	239-52975-00
4 Screw 10-16 x 3/4	239-44444-00	239-44444-00	239-44444-00	239-44444-00
5 Elbow-Vent Terminal (2 Req'd)	---	---	---	---
Elbow-Vent Terminal	239-40579-00	239-40579-00	239-40579-00	239-40579-00
Coupling-Vent Terminal	239-46740-00	239-46740-00	239-46740-00	239-46740-00
6 Temperature Sensor	239-46553-02	239-46553-02	239-46553-02	239-46553-02
7 Baffle 4" Flue (2 Req'd)	---	243-43304-00	243-43304-00	243-43304-00
8 Anode Rod (Powered) (2 Req'd)#	224-53839-00	224-53839-00	224-53839-00	224-53839-00
9 Baffle 2" Flue (8 Req'd)	239-45658-00	239-45658-00	239-45658-00	239-45658-00
10 Wire Harness-Service Panel	239-43358-01	239-43358-01	239-43358-01	239-43358-01
11 Nipple Hot Water Outlet Plastisert (Front Connect)	229-40913-07	229-40913-07	229-40913-07	229-40913-07
12 Pipe Plug 1" NPT	239-02048-00	239-02048-00	239-02048-00	239-02048-00
13 Nipple Plastisert T&P	229-32762-02	229-32762-02	229-80982-00	229-80982-00
14 T&P Relief Valve	230-30246-00	230-30246-00	230-33630-04	230-33630-04
15 Exhaust Vent Pipe	239-45971-00	239-45971-00	239-45971-00	239-45971-00
16 Condensate Elbow	239-43211-00	239-43211-00	239-43211-00	239-43211-00
17 Silicone Tubing 3/16" I.D.	239-41718-00	239-41718-00	239-41718-00	239-41718-00
18 Outer Door Service Panel	243-44668-00	243-44668-00	243-44668-00	243-44668-00
19 Bracket Exhaust Support	239-44667-00	239-44667-00	239-44667-00	239-44667-00
20 Escutcheon-Exhaust Pipe (EF Series)	239-43997-00	239-43997-00	239-43997-00	239-43997-00
21 Exhaust Pressure Switch	239-46037-01	239-46037-01	239-46037-01	239-46037-01
22 Keps Nut (2 Req'd)	239-81844-00	239-81844-00	239-81844-00	239-81844-00
23 Hi-Limit Switch	239-43238-02	239-43238-02	239-43238-02	239-43238-02
24 Screw 6-32 x 3/8 (2 Req'd)	239-81843-00	239-81843-00	239-81843-00	239-81843-00
25 Cleanout Cover	205-18428-00	205-18428-00	205-18428-00	205-18428-00
25A Cleanout Cover (ASME)	205-32941-00	205-32941-00	205-32941-00	205-32941-00
26 Cleanout Gasket	205-18427-00	205-18427-00	205-18427-00	205-18427-00
26A Cleanout Gasket (ASME)	205-32942-00	205-32942-00	205-32942-00	205-32942-00
27 Screw 5/16 - 18 x 1/2	239-82166-00	239-82166-00	239-82166-00	239-82166-00
27A Screw 5/16 - 18 x 1/2 (ASME) (6 Req'd)	239-32970-00	239-32970-00	239-32970-00	239-32970-00
28 Clean Out Access Cover	243-20299-00	243-20299-00	243-20299-00	243-20299-00
29 Dip Tube w/ Nipple Hydrojet (Front Connect)	229-44375-00	229-44375-00	229-44375-00	229-44375-00
30 Drain Valve Brass (No Handle)	265-42351-02	265-42351-02	265-42351-02	265-42351-02
31 Coaxial Vent Pipe with Terminal (Optional)	239-44069-01	239-44069-01	239-44069-01	239-44069-01
32 Approved Mixing Valve (Optional)	239-51778-00	239-51778-00	239-51778-00	239-51778-00
33 Reducer 3" x 2"	---	---	---	---
34 Hole Closure	239-31547-02	239-31547-02	239-31547-02	239-31547-02
35 Sensor Well	233-46558-01	233-46558-01	233-46558-01	233-46558-01
36 Clip Thermostat	233-45242-00	233-45242-00	233-45242-00	233-45242-00
37 Screw 1/4-20 x 5/8 Hex Washer (2 Req'd)	239-42637-00	239-42637-00	239-42637-00	239-42637-00
38 ICON Control Box and Wiring	243-54158-00	243-54004-00	243-54158-00	243-54158-00

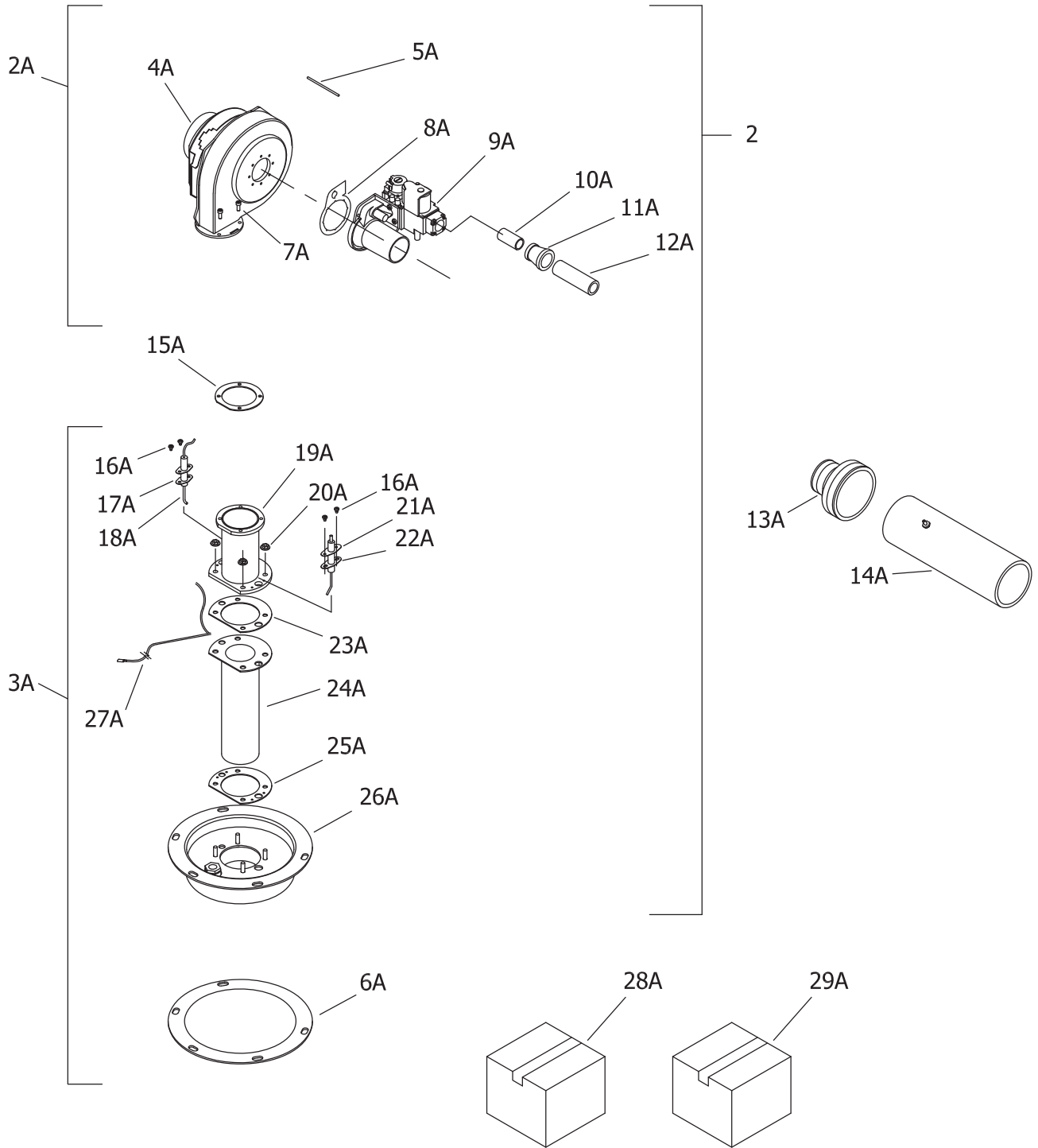
* Applies to all warranties



Item Description	Model	Model	Model
	EF60T125(E)*(N,X)(A)2	EF60T150(E)*(N,X)(A)2	EF60T199(E)*(N,X)(A)2
1A Combustion System Assembly (Nat)	265-54043-01	265-54043-02	265-54043-03
Combustion System Assembly (L.P.)	265-54043-08	265-54043-09	265-54043-10
2A Blower and Gas Valve Assembly (Nat)	265-54044-01	265-54044-02	265-54044-03
Blower and Gas Valve Assembly (L.P.)	265-54044-08	265-54044-09	265-54044-10
3A Burner Assembly EF	265-46024-00	265-46024-00	265-46024-00
4A Blower	415-51225-00	415-51225-00	415-48922-00
5A Hose Tubing 3/16" I.D.	239-41718-00	239-41718-00	239-41718-00
6A Burner Mounting Insert Gasket**	239-43197-00	239-43197-00	239-43197-00
7A Screw 10-32 x 3/4 SHCS (4 Req'd)	239-43273-00	239-43273-00	239-43273-00
8A Gasket Venturi to Blower	239-44654-00	239-44654-00	239-44654-00
9A Gas Valve Assembly (Nat)	265-54040-01	265-54040-02	265-54040-03
Gas Valve Assembly (L.P.)	265-54041-01	265-54041-02	265-54041-03
10A Nipple 1/2 NPT X 3"	239-37047-00	239-37047-00	239-37047-00
11A Reducer 3/4 x 1/2 NPT	239-04474-00	239-04474-00	239-04474-00
12A Nipple 3/4 NPT x 7"	239-43373-00	239-43373-00	239-43373-00
13A 2" x 3" Dia. Flex Reducer	239-40902-00	239-40902-00	239-40902-00
14A Inlet Tube (PVC)	239-43364-01	239-43364-01	239-43364-01
15A Gasket Blower Transition	239-43241-00	239-43241-00	239-43241-00
16A Screw 8-32 x 1/4 RHCR (4 Req'd)	239-43272-00	239-43272-00	239-43272-00
17A Flame Sensor Gasket	239-43371-00	239-43371-00	239-43371-00
18A Flame Sensor W/ Gasket	415-43232-00	415-43232-00	415-43232-00
19A Blower Transition Weldment	239-43201-00	239-43201-00	239-43201-00
20A Nut Hex Washer (4 Req'd)	239-43297-00	239-43297-00	239-43297-00
21A Spark Rod (w/ Gasket)	415-46481-00	415-46481-00	415-46481-00
22A Spark Rod Gasket	239-43370-00	239-43370-00	239-43370-00
23A Burner Mounting Gasket	239-43246-00	239-43246-00	239-43246-00
24A Burner Tube Kit (w/ Gasket)	265-53033-00	265-53033-00	265-53033-00
25A Burner Mounting Gasket	239-43246-00	239-43246-00	239-43246-00
26A Burner Mounting Insert	239-43167-00	239-43167-00	239-43167-00
27A Ground Wire Assembly 24" Green	239-51994-00	239-51994-00	239-51994-00
28A Gas Regulator Kit (optional)	243-45517-00	243-45517-00	243-45517-00
29A LP to Natural Gas Conversion Kit	265-54048-03	265-54048-02	265-54048-01

* Applies to all warranties

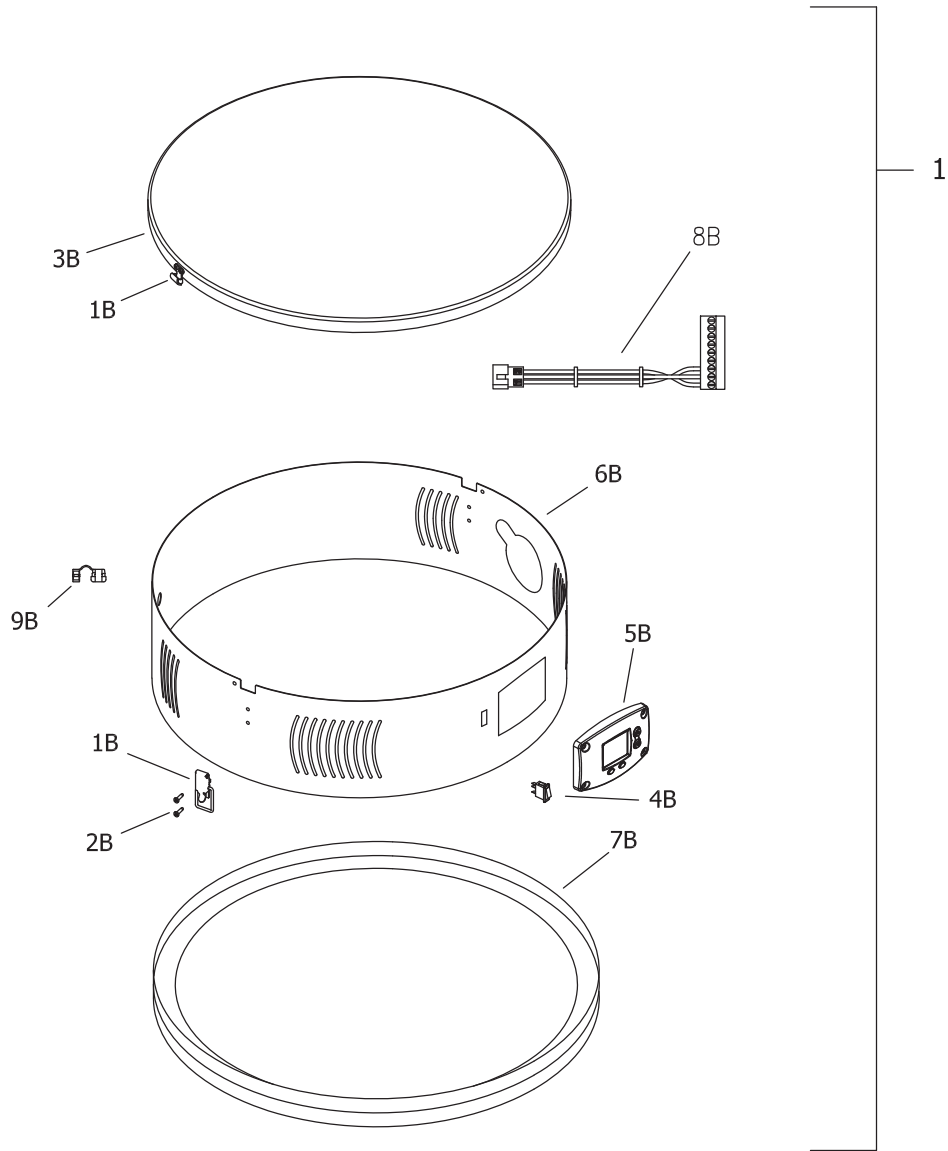
** Included with Item 3A



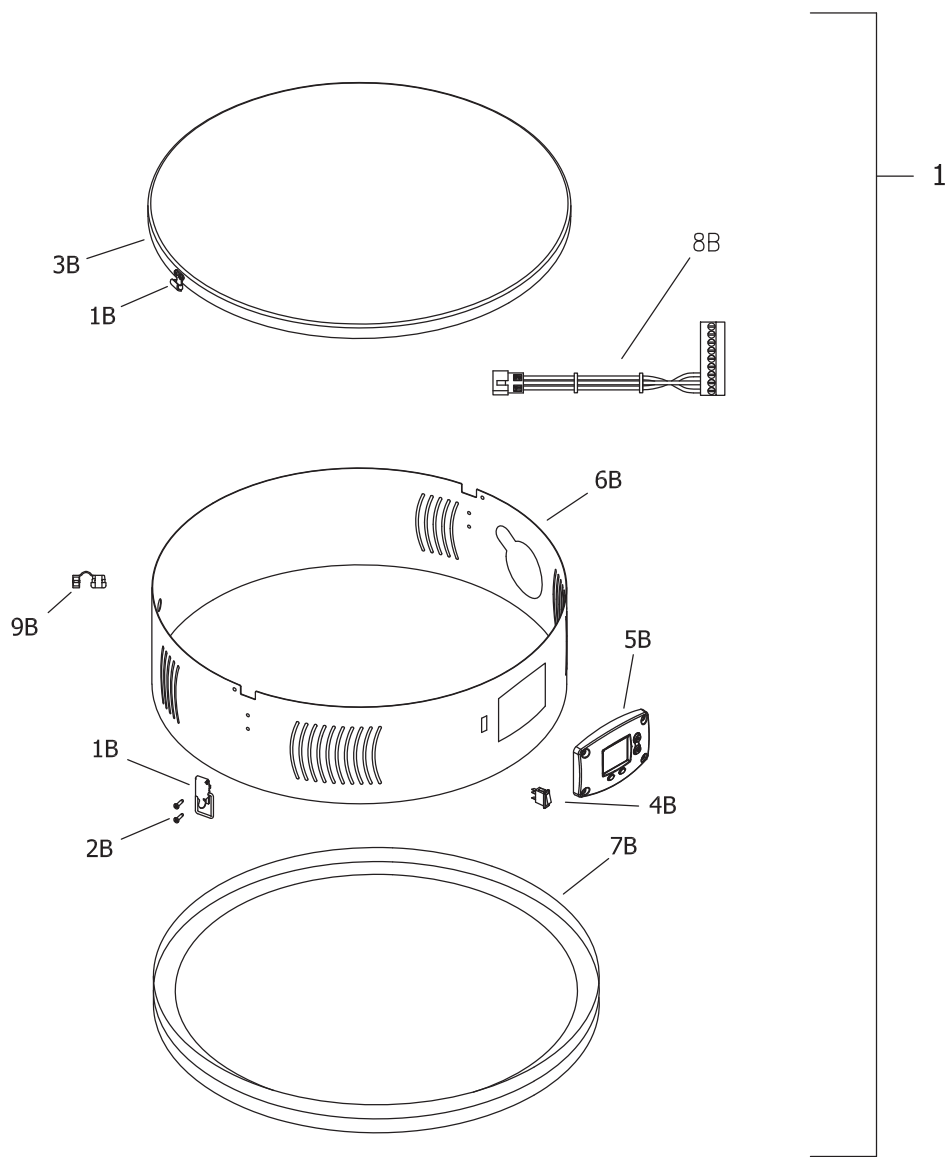
Item Description	Model	Model	Model	Model
	EF100T150(E)*(N,X)(A)2	EF100T199(E)*(N,X)(A)2	EF100T250(E)*(N,X)(A)2	EF100T300(E)*(N,X)(A)2
1A Combustion System Assembly (Nat)	265-54043-04	265-54043-05	265-54043-06	265-54043-07
Combustion System Assembly (L.P.)	265-54043-11	265-54043-12	265-54043-13	265-54043-14
2A Blower and Gas Valve Assembly (Nat)	265-54044-04	265-54044-05	265-54044-06	265-54044-07
Blower and Gas Valve Assembly (L.P.)	265-54044-11	265-54044-12	265-54044-13	265-54044-14
3A Burner Assembly EF	265-46024-00	265-46024-00	265-46024-00	265-46024-00
4A Blower	415-51225-00	415-51428-00	415-51428-00	415-51428-00
5A Hose Tubing 3/16" I.D.	239-41718-00	239-41718-00	239-41718-00	239-41718-00
6A Burner Mounting Insert Gasket**	239-43197-00	239-43197-00	239-43197-00	239-43197-00
7A Screw 10-32 x 3/4 SHCS (4 Req'd)	239-43273-00	239-43273-00	239-43273-00	239-43273-00
8A Gasket Venturi to Blower	239-44654-00	239-44654-00	239-44654-00	239-44654-00
9A Gas Valve Assembly (Nat)	265-54040-04	265-54040-05	265-54040-06	265-54040-07
Gas Valve Assembly (L.P.)	265-54041-04	265-54041-05	265-54041-06	265-54041-07
10A Nipple 1/2 NPT X 3"	239-37047-00	239-37047-00	239-37047-00	239-37047-00
11A Reducer 3/4 x 1/2 NPT	239-04474-00	239-04474-00	239-04474-00	239-04474-00
12A Nipple 3/4 NPT x 7"	239-43373-00	239-43373-00	239-43373-00	239-43373-00
13A 2" x 3" Dia. Flex Reducer	239-40902-00	239-40902-00	239-40902-00	239-40902-00
14A Inlet Tube (PVC)	239-43364-01	239-43364-01	239-43364-01	239-43364-01
15A Gasket Blower Transition	239-43241-00	239-43241-00	239-43241-00	239-43241-00
16A Screw 8-32 x 1/4 RHCR (4 Req'd)	239-43272-00	239-43272-00	239-43272-00	239-43272-00
17A Flame Sensor Gasket	239-43371-00	239-43371-00	239-43371-00	239-43371-00
18A Flame Sensor W/ Gasket	415-43232-00	415-43232-00	415-43232-00	415-43232-00
19A Blower Transition Weldment	239-43201-00	239-43201-00	239-43201-00	239-43201-00
20A Nut Hex Washer (4 Req'd)	239-43297-00	239-43297-00	239-43297-00	239-43297-00
21A Spark Rod (w/ Gasket)	415-46481-00	415-46481-00	415-46481-00	415-46481-00
22A Spark Rod Gasket	239-43370-00	239-43370-00	239-43370-00	239-43370-00
23A Burner Mounting Gasket	239-43246-00	239-43246-00	239-43246-00	239-43246-00
24A Burner Tube Kit (w/ Gasket)	265-53033-00	265-53033-00	265-53033-00	265-53033-00
25A Burner Mounting Gasket	239-43246-00	239-43246-00	239-43246-00	239-43246-00
26A Burner Mounting Insert	239-43167-00	239-43167-00	239-43167-00	239-43167-00
27A Ground Wire Assembly 24" Green	239-51994-00	239-51994-00	239-51994-00	239-51994-00
28A Gas Regulator Kit (optional)	243-45517-00	243-45517-00	243-45517-00	243-45517-00
29A LP to Natural Gas Conversion Kit	265-54048-07	265-54048-06	265-54048-05	265-54048-04

* Applies to all warranties

** Included with Item 3A

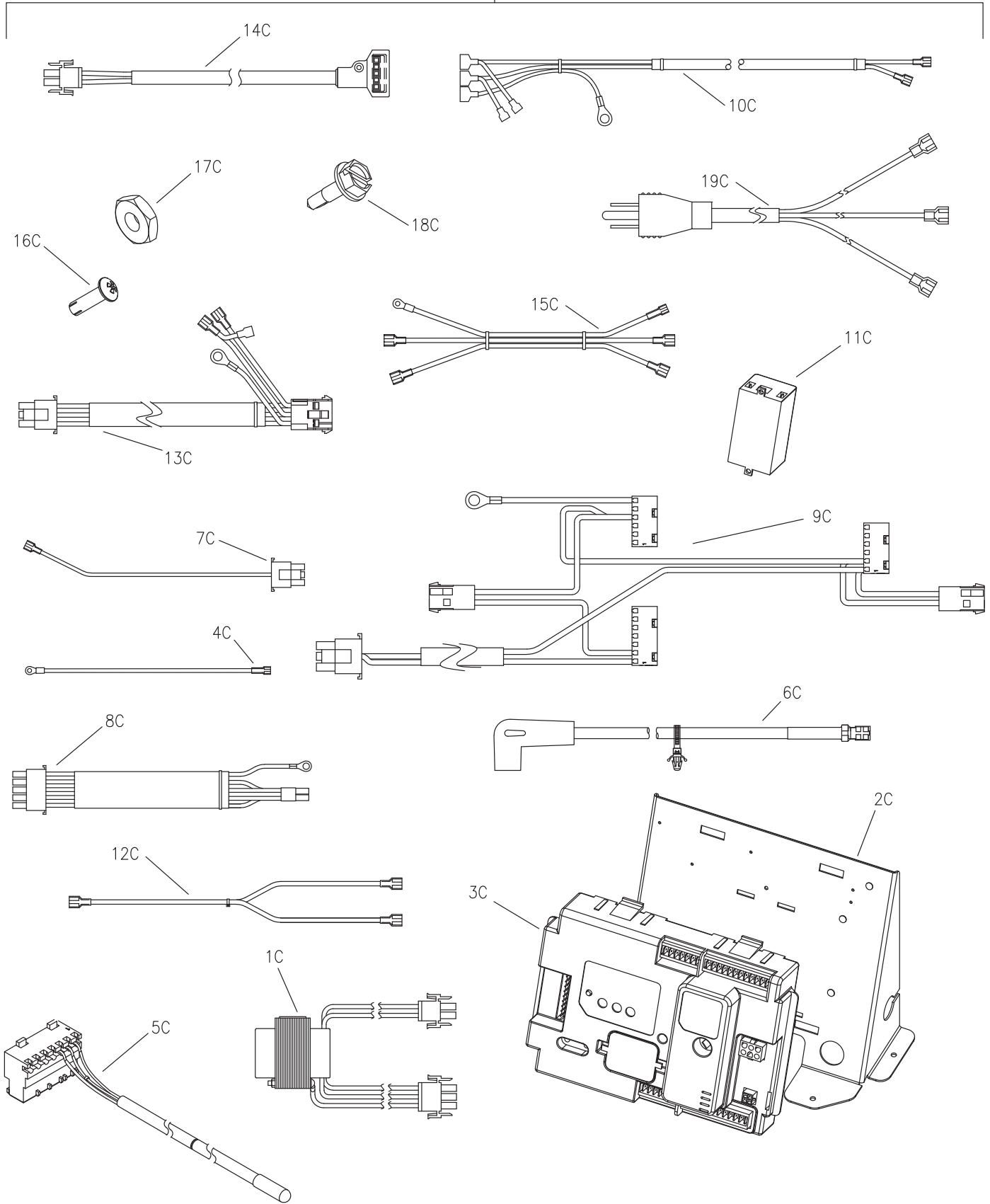


Item Description	Model EF60T125(E)*(N,X)(A)2	Model EF60T150(E)*(N,X)(A)2	Model EF60T199(E)*(N,X)(A)2
1B Keeper Latch & Catch	239-43239-00	239-43239-00	239-43239-00
2B Screw 8-32 x 1/2 RHCR (2 Req'd)	239-41715-00	239-41715-00	239-41715-00
3B Surround Head-EF Comm.	243-45823-02	243-45823-02	243-45823-02
4B Main Power Switch	239-43234-00	239-43234-00	239-43234-00
5B Control Display-ICON System	415-54047-00	415-54047-00	415-54047-00
6B Ring Combustion Surround	239-47305-02	239-47305-02	239-47305-02
7B Combustion Surround Base	239-51296-02	239-51296-02	239-51296-02
8B Display to Integrated Control Harness	239-48168-00	239-48168-00	239-48168-00
9B Strain Relief Bushing (Power Cord)	239-80372-00	239-80372-00	239-80372-00



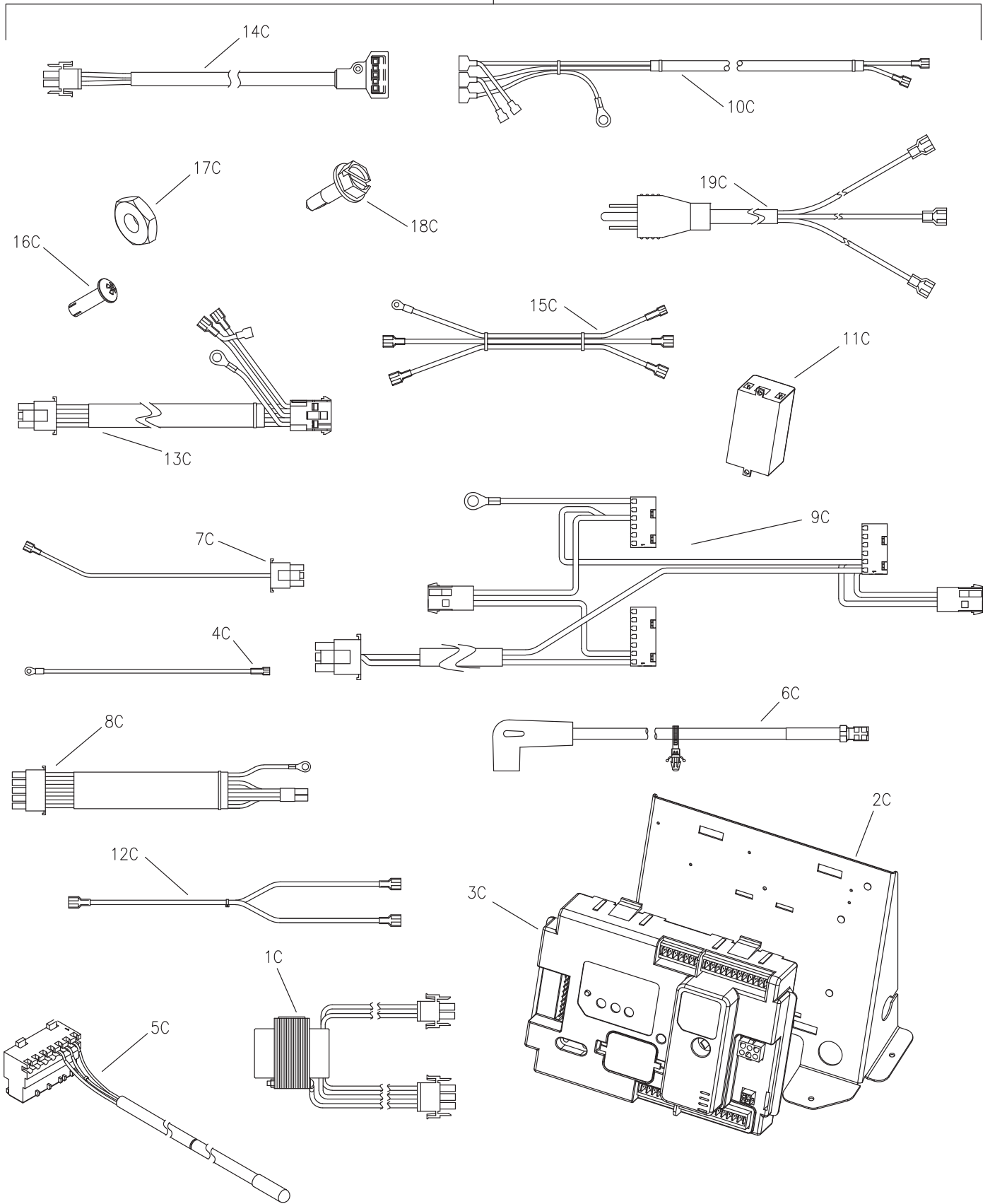
Item Description	Model	Model	Model	Model
	EF100T150(E)*(N,X)(A)2	EF100T199(E)*(N,X)(A)2	EF100T250(E)*(N,X)(A)2	EF100T300(E)*(N,X)(A)2
1B Keeper Latch & Catch	239-43239-00	239-43239-00	239-43239-00	239-43239-00
2B Screw 8-32 x 1/2 RHCR (2 Req'd)	239-41715-00	239-41715-00	239-41715-00	239-41715-00
3B Surround Head-EF Comm.	243-45823-02	243-45823-02	243-45823-02	243-45823-02
4B Main Power Switch	239-43234-00	239-43234-00	239-43234-00	239-43234-00
5B Control Display-ICON System	415-54047-00	415-54047-00	415-54047-00	415-54047-00
6B Ring Combustion Surround	239-47305-02	239-47305-02	239-47305-02	239-47305-02
7B Combustion Surround Base	239-51296-02	239-51296-02	239-51296-02	239-51296-02
8B Display to Integrated Control Harness	239-48168-00	239-48168-00	239-48168-00	239-48168-00
9B Strain Relief Bushing (Power Cord)	239-80372-00	239-80372-00	239-80372-00	239-80372-00

38



Item Description	Model	Model	Model
	EF60T125(E)*(N,X)(A)2	EF60T150(E)*(N,X)(A)2	EF60T199(E)*(N,X)(A)2
1C Transformer 120V to 24V	233-50559-00	233-50559-00	233-50559-00
2C Control Panel	239-50514-00	239-50514-00	239-50514-00
3C Module-ICON System	415-54156-01	415-54156-01	415-54156-01
4C Ground Wire	239-38951-88	239-38951-88	239-38951-88
5C T-Stat Sensor Harness	239-48587-00	239-48587-00	239-48587-00
6C High Voltage Spark Cable	265-50887-00	265-50887-00	265-50887-00
7C Flame Sensor Wire	239-48237-00	239-48237-00	239-48237-00
8C Blower Modulation Harness	239-48170-00	239-48170-00	239-48170-00
9C Wire Harness Low Fire Start	239-53961-00	239-53961-00	239-53961-00
10C Power Cord/Switch Harness	239-48171-00	239-48171-00	239-48171-00
11C Power Anode Module	239-46229-00	239-46229-00	239-46229-00
12C Power Anode Harness	239-46070-00	239-46070-00	239-46070-00
13C Blower Power Harness	239-48617-00	239-48617-00	239-48617-00
14C Rectifier Harness	239-43571-00	239-43571-00	239-43571-00
15C Powered Anode Control Harness	239-46247-00	239-46247-00	239-46247-00
16C Screw-#4-40 X 3/8 Pan	239-50731-00	239-50731-00	239-50731-00
17C Nut 8-32 Keps	239-80029-00	239-80029-00	239-80029-00
18C Screw-#8-18 X 1/2	239-32761-00	239-32761-00	239-32761-00
19C Power Cord-96"	239-44466-00	239-44466-00	239-44466-00

* Applies to all warranties



Item Description	Model EF100T150(E)*(N,X)(A)2	Model EF100T199(E)*(N,X)(A)2	Model EF100T250(E)*(N,X)(A)2	Model EF100T300(E)*(N,X)(A)2
1C Transformer 120V to 24V	233-50559-00	233-50559-00	233-50559-00	233-50559-00
2C Control Panel	239-50514-00	239-50514-00	239-50514-00	239-50514-00
3C Module-ICON System	415-54156-01	415-51229-00	415-54156-01	415-54156-01
4C Ground Wire	239-38951-88	239-38951-88	239-38951-88	239-38951-88
5C T-Stat Sensor Harness	239-48587-00	239-48587-00	239-48587-00	239-48587-00
6C High Voltage Spark Cable	265-50887-00	265-50887-00	265-50887-00	265-50887-00
7C Flame Sensor Wire	239-48237-00	239-48237-00	239-48237-00	239-48237-00
8C Blower Modulation Harness	239-48170-00	239-48170-00	239-48170-00	239-48170-00
9C Wire Harness Low Fire Start	239-53961-00	239-53961-00	239-53961-00	239-53961-00
10C Power Cord/Switch Harness	239-48171-00	239-48171-00	239-48171-00	239-48171-00
11C Power Anode Module	239-46229-00	239-46229-00	239-46229-00	239-46229-00
12C Power Anode Harness	239-46070-00	239-46070-00	239-46070-00	239-46070-00
13C Blower Power Harness	239-48617-00	239-48617-00	239-48617-00	239-48617-00
14C Rectifier Harness	239-43571-00	239-43571-00	239-43571-00	239-43571-00
15C Powered Anode Control Harness	239-46247-00	239-46247-00	239-46247-00	239-46247-00
16C Screw-#4-40 X 3/8 Pan	239-50731-00	239-50731-00	239-50731-00	239-50731-00
17C Nut 8-32 Keps	239-80029-00	239-80029-00	239-80029-00	239-80029-00
18C Screw-#8-18 X 1/2	239-32761-00	239-32761-00	239-32761-00	239-32761-00
19C Power Cord-96"	239-44466-00	239-44466-00	239-44466-00	239-44466-00

* Applies to all warranties



United States

Sales 800-523-2931

Technical Support 800-334-3393

Email techserv@bradfordwhite.com

Warranty 800-531-2111

Email warranty@bradfordwhite.com

Service Parts 800-538-2020

Email parts@bradfordwhite.com

Canada

Sales & Technical Support 866-690-0961 905-03-0600

Fax 905-636-0666

Warranty bwccwarranty@bradfordwhite.com

Technical Support bwccotech@bradfordwhite.com

Service Parts orders@bradfordwhitecanada.com

Orders ca.orders@bradfordwhite.com

For U.S. and Canada field service,
contact your professional installer or
local Bradford White sales representative.

International

General Contact international@bradfordwhite.com