



BRADFORD WHITE[®]
W A T E R H E A T E R S

COMMERCIAL GAS REPLACEMENT PARTS LIST



Models Covered:
UCG100H(199,270,399)3(N,X)
UCG80H(125,199,270,399)3(N,X)
Serial Numbers XF*** and After**

Includes Hydrojet[®]
Total Performance System

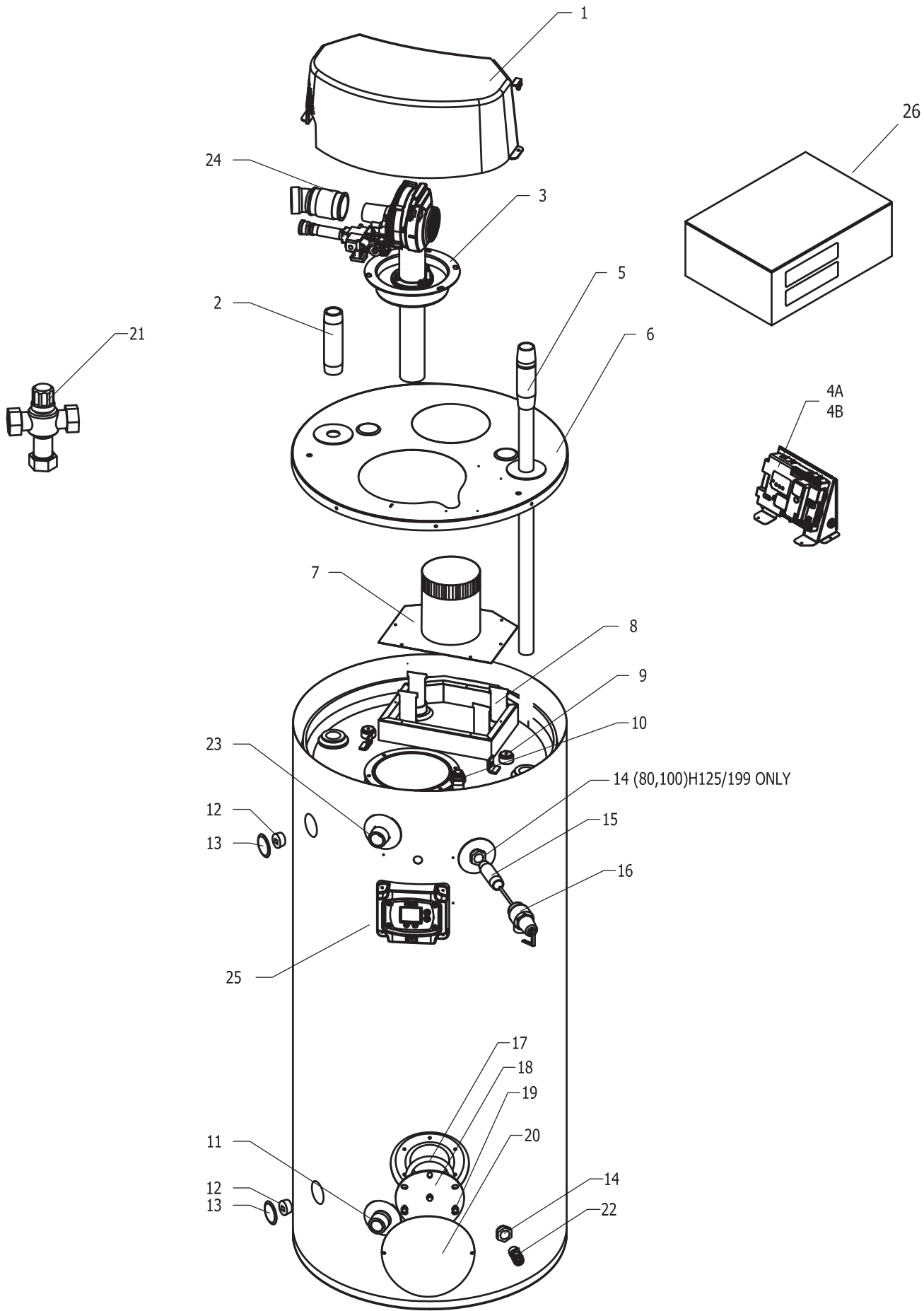
Effective: June, 2021
ECO 8430

**NOTE: BOTH MODEL AND SERIAL
NUMBERS ARE REQUIRED FOR
ORDERING REPLACEMENT PARTS**

Dimensions and specifications
subject to change without notice.

WARNING
CANCER AND REPRODUCTIVE HARM
WWW.P65WARNINGS.CA.GOV

As required by the state of California Proposition 65.



Item	Description	Model	Model	Model	Model	Model	Model
		UCG80H1253N	UCG80H1253X	UCG80H1993N	UCG80H1993X	UCG80H2703N	UCG80H2703X
1	Surround with Latches	239-50510-00	239-50510-00	239-50510-00	239-50510-00	239-50510-00	239-50510-00
2	Nipple Hot Water Outlet Plastisert (Top Connection)	229-40913-01	229-40913-01	229-40913-01	229-40913-01	229-40913-01	229-40913-01
3	Combustion System Assembly	243-54264-05	243-54264-06	243-54264-07	243-54264-08	243-54264-09	243-54264-10
4A	Control Panel Assembly 5,000 RPM Ignition*	243-54252-00	243-54252-00	243-54252-00	243-54252-00	243-54252-00	243-54252-00
5	Inlet Tube Hydrojet (Top Connection)	229-46709-01	229-46709-01	229-46709-01	229-46709-01	229-46709-01	229-46709-01
6	Jacket Head	239-51297-01	239-51297-01	239-51297-01	239-51297-01	239-51297-01	239-51297-01
7	Exhaust Collector Cover/Vent Connection	239-54208-03	239-54208-03	239-54208-01	239-54208-01	239-54208-01	239-54208-01
8	Baffle 2" Flue (4 or 6 req'd)	239-54132-00	239-54132-00	239-54136-00	239-54136-00	239-54136-00	239-54136-00
9	Anode (Magnesium) (up to 3 req'd)	224-47782-05	224-47782-05	224-47782-05	224-47782-05	224-47782-05	224-47782-05
	Anode (Aluminum) (up to 3 req'd)	224-38508-04	224-38508-04	224-38508-04	224-38508-04	224-38508-04	224-38508-04
	Anode (Aluminum A420) (up to 3 req'd)#	224-49559-04	224-49559-04	224-49559-04	224-49559-04	224-49559-04	224-49559-04
10	Well Sensor	233-46558-03	233-46558-03	233-46558-03	233-46558-03	233-46558-03	233-46558-03
11	Inlet Tube Hydrojet (Front Connection)	229-44375-00	229-44375-00	229-44375-00	229-44375-00	229-44375-00	229-44375-00
12	Plug (2 Req'd)	239-02048-00	239-02048-00	239-02048-00	239-02048-00	239-02048-00	239-02048-00
13	Hole Closure (4 req'd)	239-31547-02	239-31547-02	239-31547-02	239-31547-02	239-31547-02	239-31547-02
14	1" to 3/4" Bushing 2 req'd (Except 1 req'd for 270kBTUH models)	239-02052-00	239-02052-00	239-02052-00	239-02052-00	239-02052-00	239-02052-00
15	T&P Nipple	229-32762-02	229-32762-02	229-32762-02	229-32762-02	239-50053-02	239-50053-02
16	T&P Valve	230-30246-00	230-30246-00	230-30246-00	230-30246-00	230-33630-04	230-33630-04
17	Cleanout Gasket	205-18427-00	205-18427-00	205-18427-00	205-18427-00	205-18427-00	205-18427-00
18	Cleanout Cover	205-18428-00	205-18428-00	205-18428-00	205-18428-00	205-18428-00	205-18428-00
19	Screw 5/16 - 18 x 1/2 (6 req'd)	239-82166-00	239-82166-00	239-82166-00	239-82166-00	239-82166-00	239-82166-00
20	Clean Out Cover Access	243-20299-00	243-20299-00	243-20299-00	243-20299-00	243-20299-00	243-20299-00
21	Mixing Device (Optional)	239-51778-00	239-51778-00	239-51778-00	239-51778-00	239-51778-00	239-51778-00
22	Drain Valve Brass (No Handle)	265-42351-02	265-42351-02	265-42351-02	265-42351-02	265-42351-02	265-42351-02
23	Nipple Hot Water Outlet Plastisert (Front Connection)	229-40913-07	229-40913-07	229-40913-07	229-40913-07	229-40913-07	229-40913-07
24	Intake Vent Terminal	239-50597-00	239-50597-00	239-50597-00	239-50597-00	239-50597-00	239-50597-00
25	Display Mount Assembly*	243-51213-00	243-51213-00	243-51213-00	243-51213-00	243-51213-00	243-51213-00
26	BMS Gateway Kit (Optional)	415-53943-00	415-53943-00	415-53943-00	415-53943-00	415-53943-00	415-53943-00

A420 anode may need to be cut to length.

* Ordering a complete assembly may increase delivery time. Please order the specific component required for the quickest delivery.

Item	Description	Model	Model	Model	Model
		UCG100H1993N	UCG100H1993X	UCG100H2703N	UCG100H2703X
1	Surround with Latches	239-50510-00	239-50510-00	239-50510-00	239-50510-00
2	Nipple Hot Water Outlet Plastisert (Top Connection)	229-40913-01	229-40913-01	229-40913-01	229-40913-01
3	Combustion System Assembly	243-54264-01	243-54264-02	243-54264-03	243-54264-04
4A	Control Panel Assembly 5,000 RPM Ignition*	243-54252-00	243-54252-00	243-54252-00	243-54252-00
5	Inlet Tube Hydrojet (Top Connection)	229-46709-02	229-46709-02	229-46709-02	229-46709-02
6	Jacket Head	239-51297-01	239-51297-01	239-51297-01	239-51297-01
7	Exhaust Collector Cover	239-54208-01	239-54208-01	239-50530-01	239-50530-01
8	Baffle 2" Flue (4 req'd)	239-50512-03	239-50512-03	239-54131-00	239-54131-00
9	Anode (Magnesium) (up to 3 req'd)	224-47782-07	224-47782-07	224-47782-07	224-47782-07
	Anode (Aluminum) (up to 3 req'd)	224-38508-10	224-38508-10	224-38508-10	224-38508-10
	Anode (Aluminum A420) (up to 3 req'd)#	224-49559-04	224-49559-04	224-49559-04	224-49559-04
10	Well Sensor	233-46558-03	233-46558-03	233-46558-03	233-46558-03
11	Inlet Tube Hydrojet (Front Connection)	229-44375-00	229-44375-00	229-44375-00	229-44375-00
12	Plug (2 Req'd)	239-02048-00	239-02048-00	239-02048-00	239-02048-00
13	Hole Closure (4 req'd)	239-31547-02	239-31547-02	239-31547-02	239-31547-02
14	1" to 3/4" Bushing 2 req'd (Except 1 req'd for 270kBTUH models)	239-02052-00	239-02052-00	239-02052-00	239-02052-00
15	T&P Nipple	229-32762-02	229-32762-02	239-50053-02	239-50053-02
16	T&P Valve	230-30246-00	230-30246-00	230-33630-04	230-33630-04
17	Cleanout Gasket	205-18427-00	205-18427-00	205-18427-00	205-18427-00
18	Cleanout Cover	205-18428-00	205-18428-00	205-18428-00	205-18428-00
19	Screw 5/16 - 18 x 1/2 (6 req'd)	239-82166-00	239-82166-00	239-82166-00	239-82166-00
20	Clean Out Cover Access	243-20299-00	243-20299-00	243-20299-00	243-20299-00
21	Mixing Device (Optional)	239-51778-00	239-51778-00	239-51778-00	239-51778-00
22	Drain Valve Brass (No Handle)	265-42351-02	265-42351-02	265-42351-02	265-42351-02
23	Nipple Hot Water Outlet Plastisert (Front Connection)	229-40913-07	229-40913-07	229-40913-07	229-40913-07
24	Intake Vent Terminal	239-50597-00	239-50597-00	239-50597-00	239-50597-00
25	Display Mount Assembly*	243-51213-00	243-51213-00	243-51213-00	243-51213-00
26	BMS Gateway Kit (Optional)	415-53943-00	415-53943-00	415-53943-00	415-53943-00

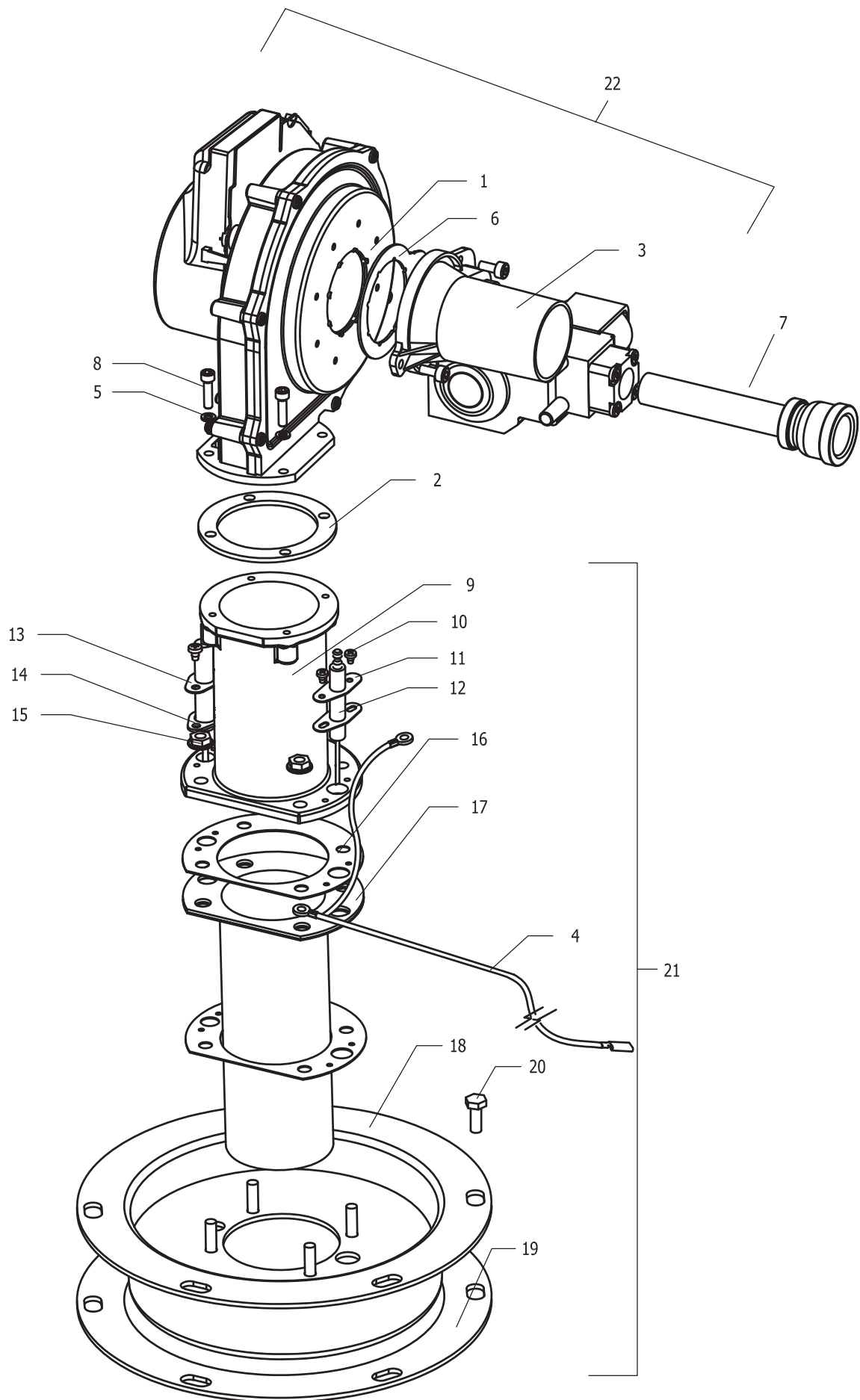
A420 anode may need to be cut to length.

* Ordering a complete assembly may increase delivery time. Please order the specific component required for the quickest delivery.

Item	Description	Model	Model	Model	Model
		UCG80H3993N	UCG80H3993X	UCG100H3993N	UCG100H3993X
1	Surround with Latches	239-50510-00	239-50510-00	239-50510-00	239-50510-00
2	Nipple Hot Water Outlet Plastisert (Top Connection)	229-40913-01	229-40913-01	229-40913-01	229-40913-01
3	Combustion System Assembly	243-54265-03	243-54265-04	243-54265-01	243-54265-02
4B	Control Panel Assembly 3,000 RPM Ignition*	243-54233-00	243-54233-00	243-54233-00	243-54233-00
5	Inlet Tube Hydrojet (Top Connection)	229-46709-01	229-46709-01	229-46709-02	229-46709-02
6	Jacket Head	239-51297-01	239-51297-01	239-51297-01	239-51297-01
7	Exhaust Collector Cover	239-54208-02	239-54208-02	239-54208-02	239-54208-02
8	Baffle 2" Flue (6 req'd)	239-50949-03	239-50949-03	239-50512-05	239-50512-05
9	Anode (Magnesium) (up to 3 req'd)	224-47782-05	224-47782-05	224-47782-07	224-47782-07
	Anode (Aluminum) (up to 3 req'd)	224-38508-04	224-38508-04	224-38508-10	224-38508-10
	Anode (Aluminum A420) (up to 3 req'd)#	224-49559-04	224-49559-04	224-49559-04	224-49559-04
10	Well Sensor	233-46558-03	233-46558-03	233-46558-03	233-46558-03
11	Inlet Tube Hydrojet (Front Connection)	229-44375-00	229-44375-00	229-44375-00	229-44375-00
12	Plug (2 Req'd)	239-02048-00	239-02048-00	239-02048-00	239-02048-00
13	Hole Closure (4 req'd)	239-31547-02	239-31547-02	239-31547-02	239-31547-02
14	1" to 3/4" Bushing	239-02052-00	239-02052-00	239-02052-00	239-02052-00
15	T&P Nipple	229-50053-02	229-50053-02	229-50053-02	229-50053-02
16	T&P Valve	230-33630-04	230-33630-04	230-33630-04	230-33630-04
17	Cleanout Gasket	205-18427-00	205-18427-00	205-18427-00	205-18427-00
18	Cleanout Cover	205-18428-00	205-18428-00	205-18428-00	205-18428-00
19	Screw 5/16 - 18 x 1/2 (6 req'd)	239-82166-00	239-82166-00	239-82166-00	239-82166-00
20	Clean Out Cover Access	243-20299-00	243-20299-00	243-20299-00	243-20299-00
21	Mixing Device (Optional)	239-51778-00	239-51778-00	239-51778-00	239-51778-00
22	Drain Valve Brass (No Handle)	265-42351-02	265-42351-02	265-42351-02	265-42351-02
23	Nipple Hot Water Outlet Plastisert (Front Connection)	229-40913-07	229-40913-07	229-40913-07	229-40913-07
24	Vent Terminal	239-51226-00	239-51226-00	239-51226-00	239-51226-00
25	Display Mount Assembly*	243-51213-00	243-51213-00	243-51213-00	243-51213-01
26	BMS Gateway Kit (Optional)	415-53943-00	415-53943-00	415-53943-00	415-53943-00

A420 anode may need to be cut to length.

* Ordering a complete assembly may increase delivery time. Please order the specific component required for the quickest delivery.



Item	Description	Model	Model	Model	Model	Model	Model
		UCG80H1253N	UCG80H1253X	UCG80H1993N	UCG80H1993X	UCG80H2703N	UCG80H2703X
1	Blower w/Gasket	415-51225-00	415-51225-00	415-48922-00	415-48922-00	415-51428-00	415-51428-00
2	Blower Transition Gasket	239-43241-00	239-43241-00	239-43241-00	239-43241-00	239-43241-00	239-43241-00
3	Venturi & Gas Valve Assembly	243-54262-04	243-54263-04	243-54262-05	243-54263-05	243-54262-06	243-54263-06
4	Ground Wire	239-51994-00	239-51994-00	239-51994-00	239-51994-00	239-51994-00	239-51994-00
5	Washer - #10 Lockwasher (req'd)	239-18461-00	239-18461-00	239-18461-00	239-18461-00	239-18461-00	239-18461-00
6	Venturi Gasket \diamond	239-44654-00	239-44654-00	239-44654-00	239-44654-00	239-44654-00	239-44654-00
7	Gas Piping Assembly	243-50524-00	243-50524-00	243-50524-00	243-50524-00	243-50524-00	243-50524-00
8	Screw 10-32 x .75 Skt Head Cap (4 req'd)	239-43273-00	239-43273-00	239-43273-00	239-43273-00	239-43273-00	239-43273-00
9	Transition Tube Blower to Burner	239-43201-00	239-43201-00	239-43201-00	239-43201-00	239-43201-00	239-43201-00
10	Screw - #8-32 x 1/4 (4 req'd)	239-43272-00	239-43272-00	239-43272-00	239-43272-00	239-43272-00	239-43272-00
11	Igniter	415-49655-00	415-49655-00	415-49655-00	415-49655-00	415-49655-00	415-49655-00
12	Gasket Igniter	239-43370-00	239-43370-00	239-43370-00	239-43370-00	239-43370-00	239-43370-00
13	Flame Sensor	415-43232-00	415-43232-00	415-43232-00	415-43232-00	415-43232-00	415-43232-00
14	Gasket Flame Sensor	239-43371-00	239-43371-00	239-43371-00	239-43371-00	239-43371-00	239-43371-00
15	Nut Hex Washer (4 req'd for Trans Tube)	239-43297-00	239-43297-00	239-43297-00	239-43297-00	239-43297-00	239-43297-00
16	Gasket Burner (2 req'd) \bullet	239-43246-00	239-43246-00	239-43246-00	239-43246-00	239-43246-00	239-43246-00
17	Burner	265-53033-00	265-53033-00	265-53033-00	265-53033-00	265-53033-00	265-53033-00
18	Burner Mounting Assembly	239-43167-00	239-43167-00	239-43167-00	239-43167-00	239-43167-00	239-43167-00
19	Combustion Assembly Gasket	239-43197-00	239-43197-00	239-43197-00	239-43197-00	239-43197-00	239-43197-00
20	Screw 5/16-18 x 3/4 (5 req'd)	239-32970-00	239-32970-00	239-32970-00	239-32970-00	239-32970-00	239-32970-00
21	Burner Assembly *	243-50527-00	243-50527-00	243-50527-00	243-50527-00	243-50527-00	243-50527-00
22	Blower and Gas Valve Assembly *	243-54261-07	243-54261-08	243-54261-09	243-54261-10	243-54261-11	243-54261-12

* Ordering a complete assembly may increase delivery time. Please order the specific component required for the quickest delivery.

\diamond Included with Item 1 & 3

\bullet Included with Items 17 & 21

Item	Description	Model	Model	Model	Model
		UCG100H1993N	UCG100H1993X	UCG100H2703N	UCG100H2703X
1	Blower w/Gasket	415-48922-00	415-48922-00	415-51428-00	415-51428-00
2	Blower Transition Gasket	239-43241-00	239-43241-00	239-43241-00	239-43241-00
3	Venturi & Gas Valve Assembly	243-54262-02	243-54263-02	243-54262-03	243-54263-03
4	Ground Wire	239-51994-00	239-51994-00	239-51994-00	239-51994-00
5	Washer - #10 Lockwasher (req'd)	239-18461-00	239-18461-00	239-18461-00	239-18461-00
6	Venturi Gasket ◊	239-44654-00	239-44654-00	239-44654-00	239-44654-00
7	Gas Piping Assembly	243-50524-00	243-50524-00	243-50524-00	243-50524-00
8	Screw 10-32 x .75 Skt Head Cap (4 req'd)	239-43273-00	239-43273-00	239-43273-00	239-43273-00
9	Transition Tube Blower to Burner	239-43201-00	239-43201-00	239-43201-00	239-43201-00
10	Screw - #8-32 x 1/4 (4 req'd)	239-43272-00	239-43272-00	239-43272-00	239-43272-00
11	Flame Sensor	415-43232-00	415-43232-00	415-43232-00	415-43232-00
12	Gasket Flame Sensor	239-43371-00	239-43371-00	239-43371-00	239-43371-00
13	Igniter	415-49655-00	415-49655-00	415-49655-00	415-49655-00
14	Gasket Igniter	239-43370-00	239-43370-00	239-43370-00	239-43370-00
15	Nut Hex Washer (4 req'd for Trans Tube)	239-43297-00	239-43297-00	239-43297-00	239-43297-00
16	Gasket Burner (2 req'd)●	239-43246-00	239-43246-00	239-43246-00	239-43246-00
17	Burner	265-53033-00	265-53033-00	265-53033-00	265-53033-00
18	Burner Mounting Assembly	239-43167-00	239-43167-00	239-43167-00	239-43167-00
19	Combustion Assembly Gasket	239-43197-00	239-43197-00	239-43197-00	239-43197-00
20	Screw 5/16-18 x 3/4 (5 req'd)	239-32970-00	239-32970-00	239-32970-00	239-32970-00
21	Burner Assembly *	243-50527-00	243-50527-00	243-50527-00	243-50527-00
22	Blower and Gas Valve Assembly *	243-54261-01	243-54261-02	243-54261-03	243-54261-04

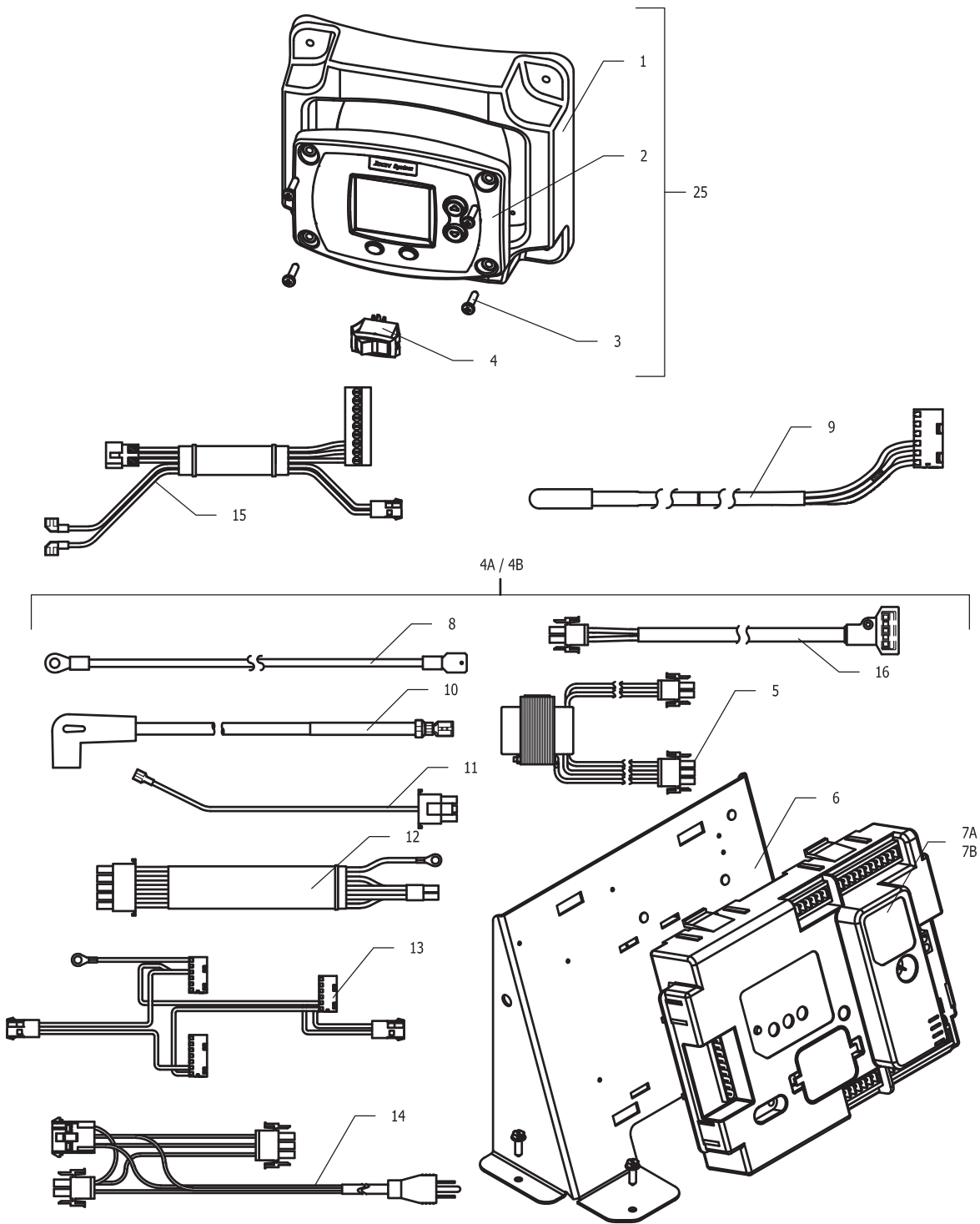
* Ordering a complete assembly may increase delivery time. Please order the specific component required for the quickest delivery.
◊ Included with Item 1 & 3

Item	Description	Model	Model	Model	Model
		UCG80H3993N	UCG80H3993X	UCG100H3993N	UCG100H3993X
1	Blower w/Gasket	415-51428-00	415-51428-00	415-51428-00	415-51428-00
2	Blower Transition Gasket	239-43241-00	239-43241-00	239-43241-00	239-43241-00
3	Venturi & Gas Valve Assembly*	243-54262-07	243-54263-07	243-54262-01	243-54263-01
4	Ground Wire	239-51994-00	239-51994-00	239-51994-00	239-51994-00
5	Washer - #10 Lockwasher (req'd)	239-18461-00	239-18461-00	239-18461-00	239-18461-00
6	Venturi Gasket ◊	239-44654-00	239-44654-00	239-44654-00	239-44654-00
7	Gas Piping assembly	243-50524-00	243-50524-00	243-50524-00	243-50524-00
8	Screw 10-32 x .75 Skt Head Cap (4 req'd)	239-43273-00	239-43273-00	239-43273-00	239-43273-00
9	Transition Tube Blower to Burner	239-43201-00	239-43201-00	239-43201-00	239-43201-00
10	Screw - #8-32 x 1/4 (4 req'd)	239-43272-00	239-43272-00	239-43272-00	239-43272-00
11	Flame Sensor	415-43232-00	415-43232-00	415-43232-00	415-43232-00
12	Gasket Flame Sensor	239-43371-00	239-43371-00	239-43371-00	239-43371-00
13	Igniter	415-46481-00	415-46481-00	415-46481-00	415-46481-00
14	Gasket Igniter	239-43370-00	239-43370-00	239-43370-00	239-43370-00
15	Nut Hex Washer (4 req'd for Trans Tube)	239-43297-00	239-43297-00	239-43297-00	239-43297-00
16	Gasket Burner (2 req'd)●	239-43246-00	239-43246-00	239-43246-00	239-43246-00
17	Burner	265-53033-00	265-53033-00	265-53033-00	265-53033-00
18	Burner Mounting Assembly	239-43167-00	239-43167-00	239-43167-00	239-43167-00
19	Combustion Assembly Gasket	239-43197-00	239-43197-00	239-43197-00	239-43197-00
20	Screw 5/16-18 x 3/4 (5 req'd)	239-32970-00	239-32970-00	239-32970-00	239-32970-00
21	Burner Assembly *	243-51232-00	243-51232-00	243-51232-00	243-51232-00
22	Blower and Gas Valve Assembly *	243-54261-13	243-54261-14	243-54261-05	243-54261-06

* Ordering a complete assembly may increase delivery time. Please order the specific component required for the quickest delivery.

◊ Included with Item 1 & 3

● Included with Items 17 & 21



Item	Description	Model	Model	Model	Model
		UCG80H1253(N/X)	UCG(80,100)H1993(N/X)	UCG(80,100)H2703(N/X)	UCG(80,100)H3993(N/X)
1	Display Mount	239-50508-00	239-50508-00	239-50508-00	239-50508-00
2	Display- SOLA Control	415-54047-00	415-54047-00	415-54047-00	415-54047-00
3	Screw-#8-18 X .75 for Control Display (4 req'd)	239-41104-00	239-41104-00	239-41104-00	239-41104-00
4	Main Power Switch	239-50586-00	239-50586-00	239-50586-00	239-50586-00
5	Transformer 120V to 24V	233-50559-00	233-50559-00	233-50559-00	233-50559-00
6	Control Panel	239-50514-00	239-50514-00	239-50514-00	239-50514-00
7A	Control Module (SOLA) 5,000 RPM Ignition	415-54156-01	415-54156-01	415-54156-01	---
7B	Control Module (SOLA) 3,000 RPM Ignition	---	---	---	415-51229-00
8	Ground Wire	239-38951-88	239-38951-88	239-38951-88	239-38951-88
9	T-Stat Sensor Harness	239-48587-00	239-48587-00	239-48587-00	239-48587-00
10	High Voltage Spark Cable	239-46861-00	239-46861-00	239-46861-00	239-46861-00
11	Flame Sensor Wire	239-48237-00	239-48237-00	239-48237-00	239-48237-00
12	Blower Harness	239-48170-00	239-48170-00	239-48170-00	239-48170-00
13	Ignition Control Harness	239-54209-00	239-54209-00	239-54209-00	239-54209-00
14	Power Cord Harness	239-51212-00	239-51212-00	239-51212-00	239-51212-00
15	Control to Display Harness	239-51209-00	239-51209-00	239-51209-00	239-51209-00
16	Rectifier Harness	239-43571-00	239-43571-00	239-43571-00	239-43571-00

Reference Chart of Anode Length by Model

Model	AOD Anode Cut (End to end)		Hex Head Anode Cut Length (End to end)	
	Inches	Millimeters	Inches	Millimeters
UCG100H	---	---	43.5	1105
UCG80H	---	---	35	889



United States

General Contact 800-523-2931
Technical Support 800-334-3393
Email techsupport@bradfordwhite.com
Warranty 800-531-2111
Email warranty@bradfordwhite.com
Service Parts 800-538-2020
Email parts@bradfordwhite.com

Canada

General Contact 866-690-0961
Technical Support 800-334-3393
Email techsupport@bradfordwhite.com
Warranty 800-531-2111
Email warranty@bradfordwhite.com
Orders ca.orders@bradfordwhite.com

International

General Contact international@bradfordwhite.com
Orders export.po@bradfordwhite.com

For field service, please contact your professional installer or local Bradford White sales representative.