



COMMERCIAL GAS REPLACEMENT PARTS LIST

Ultra High Efficiency Models with Direct Spark Ignition

EF100T399(E*N)(A)2
(Serial Number LD and AFTER)



Includes Hydrojet®
Total Performance System

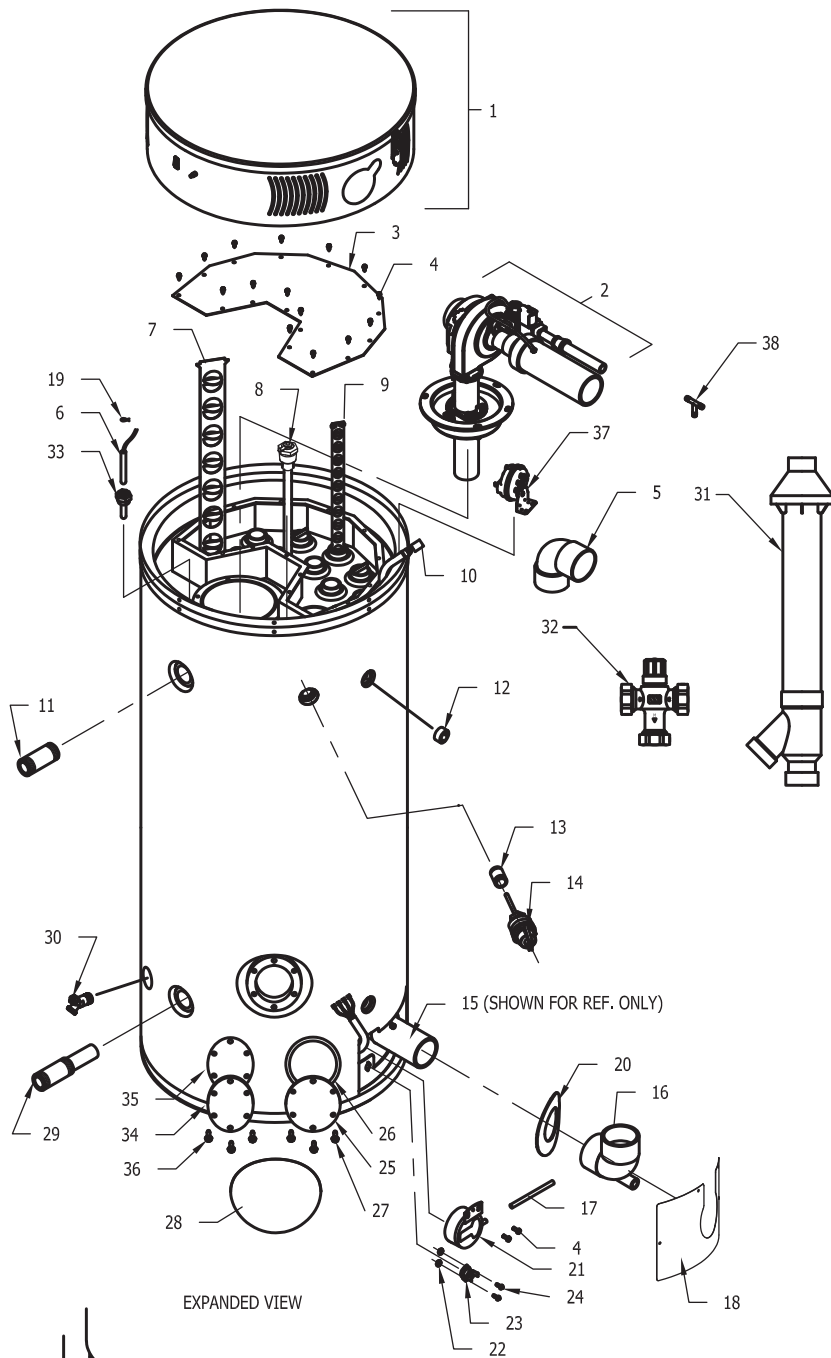
Effective: July, 2019
ECO 0160

**NOTE: BOTH MODEL AND SERIAL
NUMBERS ARE REQUIRED FOR
ORDERING REPLACEMENT PARTS**

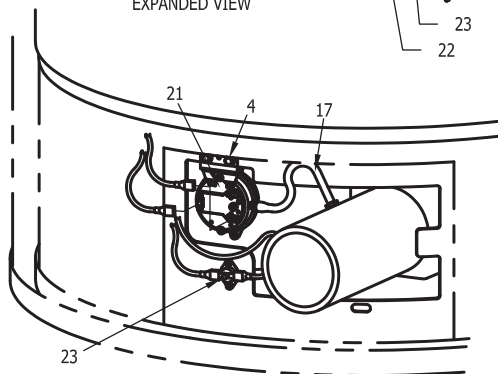
Dimensions and specifications
subject to change without notice.



As required by the state of California Proposition 65.



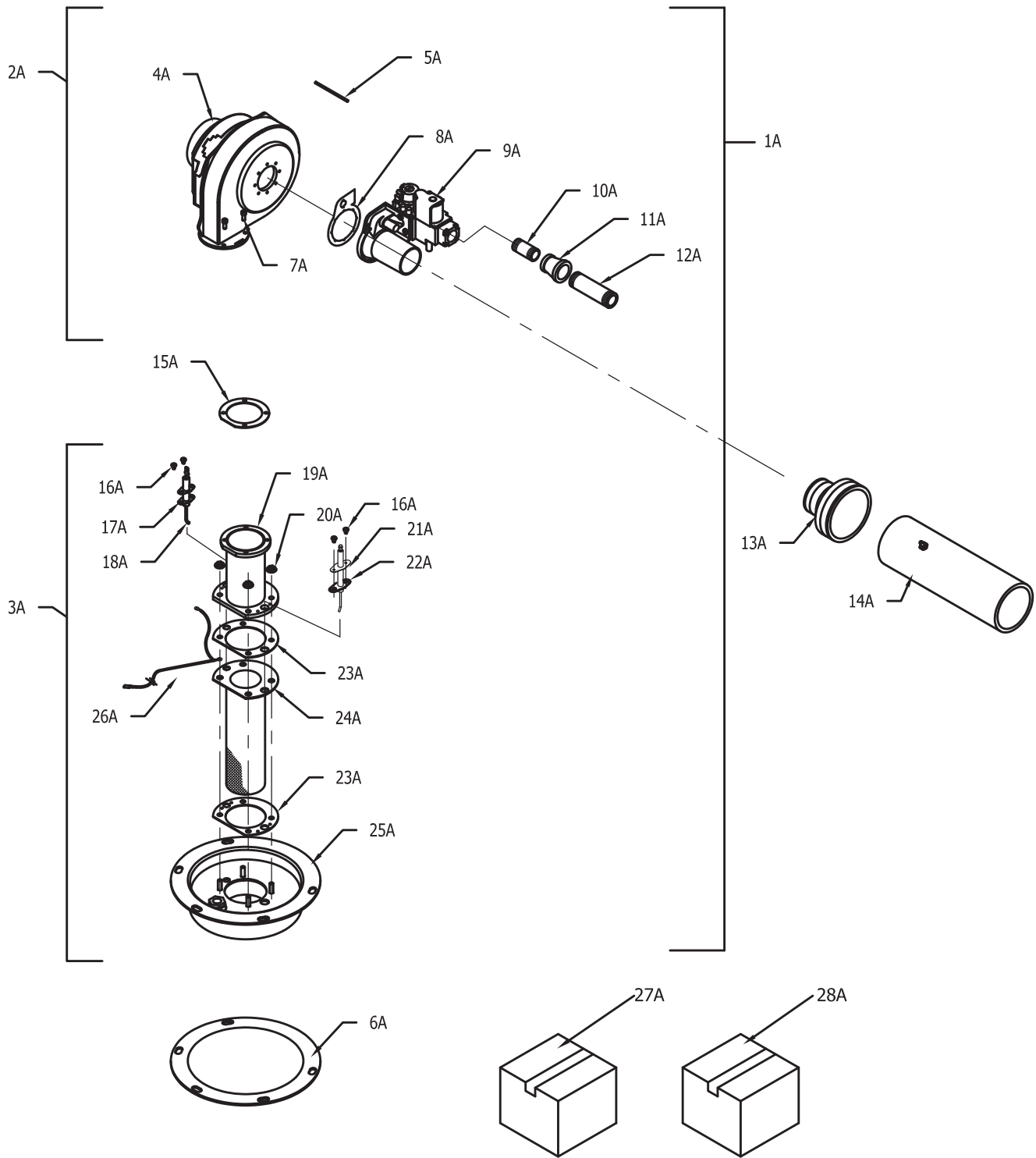
EXPANDED VIEW



EXHAUST SERVICE AREA DETAIL
(ASSEMBLED)

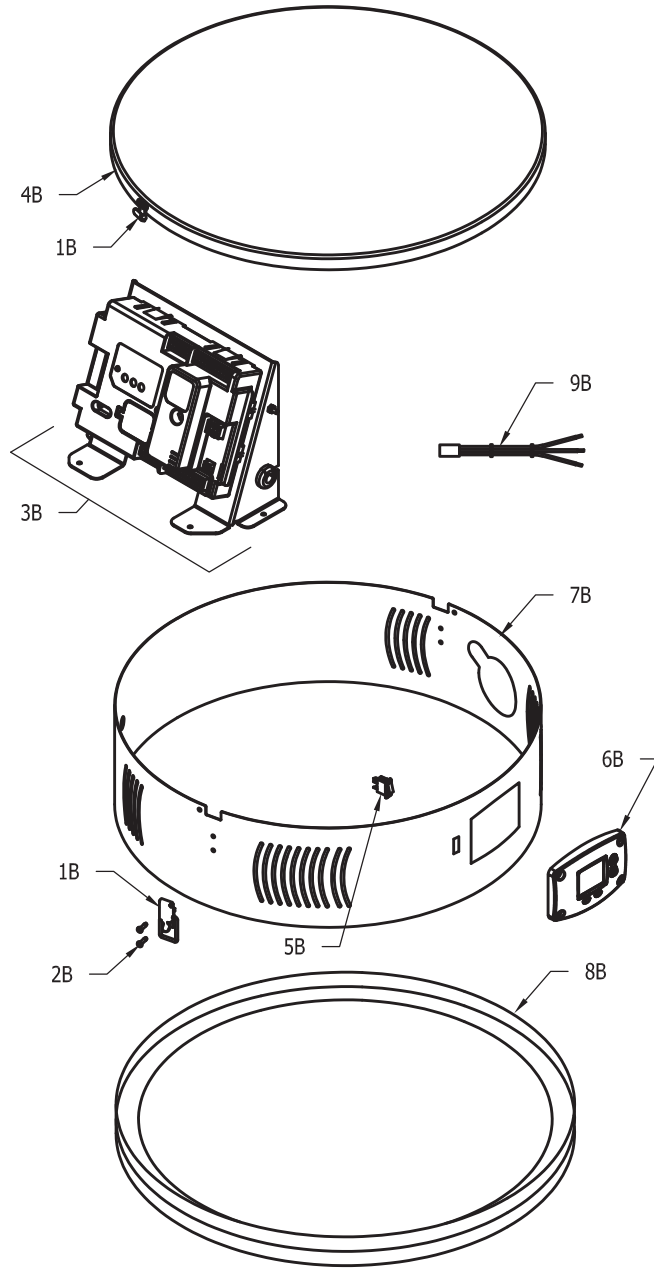
Item	Description	Model EF100T399(E)*(N,X)(A)2
1	Combustion Surround Assembly	(see page 6)
2	Combustion System Assembly	(see page 4)
3	Collector Cover Second Pass	239-43454-00
4	Screw-Second Pass Collector Cover (17 Req'd)	239-44444-00
5	Elbow-Vent Terminal Exhaust	239-46740-00
	Elbow-Vent Terminal Intake	239-40579-00
6	Temperature Sensor	239-48587-00
7	Baffle 4" Flue (2 Req'd)	239-46099-00
8	Power Anode (2 Req'd)	224-46075-00
9	Baffle 2" Flue (8 Req'd)	239-45658-00
10	Wire Harness-Service Panel	239-43358-01
11	Nipple Hot Water Outlet Plastisert (Front Connect)	229-40913-07
12	Pipe Plug 1" NPT	239-02048-00
13	Nipple Plastisert T & P	229-50053-02
14	T & P Relief Valve	230-33630-04
15	Exhaust Collector	239-46020-00
16	Condensate Elbow	239-46227-00
17	Silicone Tubing 3/16" I.D.	239-41718-00
18	Outer Door Service Panel	243-46231-00
19	Clip Thermostat	233-45242-00
20	Escutcheon-Exhaust Pipe (EF Series)	239-43997-00
21	Exhaust Pressure Switch	239-46037-01
22	Keps Nut (2 Req'd)	239-81844-00
23	Hi-Limit Switch	239-43238-02
24	Screw 6-32 x 3/8 (Req'd)	239-81843-00
25	Cleanout Cover	205-18428-00
25A	Cleanout Cover (ASME)	205-32941-00
26	Cleanout Gasket	205-18427-00
26A	Cleanout Gasket (ASME)	205-32942-00
27	Screw 5/16 - 18 x 1/2 (6 Req'd)	239-82166-00
27A	Screw 5/16 - 18 x 3/4 (ASME)(6 Req'd)	239-32970-00
28	Cleanout Access Cover	239-20299-16
29	Inlet Tube Hydrojet (Front Connect)	229-44375-00
30	Drain Valve Brass (No Handle)	265-42351-02
31	Coaxial Vent Pipe with Terminal (Optional)	239-44069-01
32	ASSE Approved Mixing Valve (Optional)	239-51778-00
33	Sensor Well	233-46558-01
34	ASME Cleanout Access Cover	205-32941-00
35	ASME Cleanout Gasket	205-32942-00
36	ASME Screw 5/16-18 x 3/4" HH Grade 5	239-32970-00
37	Pressure Switch (Beginning w/ serial # LK & After)	239-51173-00
38	3/16" TEE	239-43446-00

* Applies to all warranties

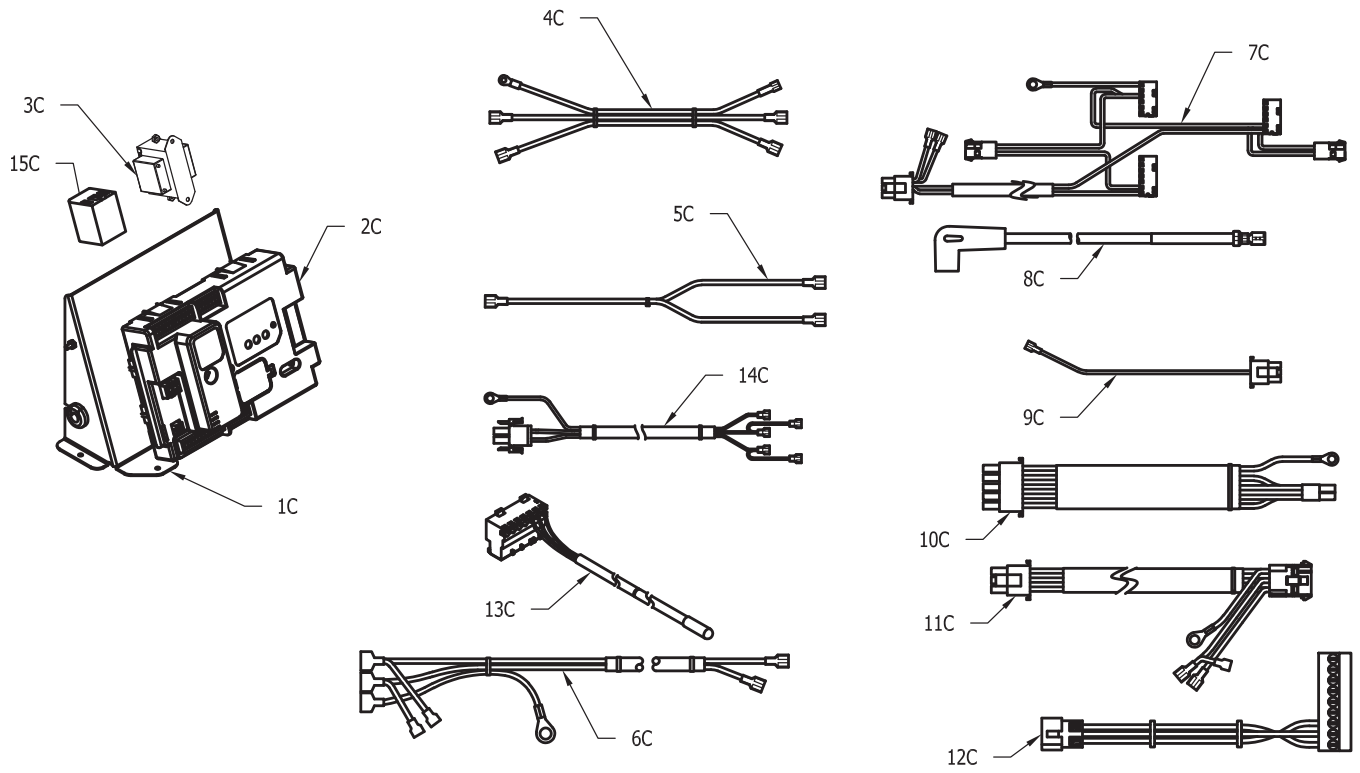


Item	Description	Model
		EF100T399(E)*(N,X)(A)2
1A	Combustion System Assembly (Nat)	243-50961-01
	Combustion System Assembly (L.P.)	243-50710-01
2A	Blower and Gas Valve Assembly (Nat.)	265-46153-01
	Blower and Gas Valve Assembly (L.P.)	265-50711-01
3A	Burner Assembly EF	243-50527-00
4A	Blower (Nat.)	265-51310-00
	Blower (L.P.)	265-51428-00
5A	Hose Tubing 3/16" I.D.	239-41718-00
6A	Burner Mounting Insert Gasket	239-43197-00
7A	Screw 10-32 x 3/4 SHCS (4 Req'd)	239-43273-00
8A	Gasket Venturi to Blower	239-44654-00
9A	Gas Valve Assembly (Nat.)	243-46151-01
	Gas Valve Assembly (L.P.)	243-46008-02
10A	Nipple (Nat)	239-31811-00
	Nipple (L.P.)	239-37047-00
11A	Reducer (Nat)	239-46144-00
	Reducer (L.P.)	239-04474-00
12A	Nipple (Nat)	239-81595-00
	Nipple (L.P.)	239-43373-00
13A	Flex Reducer (Nat)	239-46146-00
	Flex Reducer (L.P.)	239-40902-00
14A	Inlet Tube (PVC)(Nat)	239-46147-00
	Inlet Tube (PVC)(L.P.)	239-43364-01
15A	Gasket Blower Transition	239-43241-00
16A	Screw 8-32 x 1/4 RHCR (4 Req'd)	239-43272-00
17A	Gasket Flame Sensor	239-43371-00
18A	Flame Sensor w/ Gasket	265-43232-00
19A	Blower Transition Weldment	239-43201-00
20A	Hex Nut Washer (4 Req'd)	239-43297-00
21A	Spark Rod (w/ Gasket)	265-49655-00
22A	Spark Rod Gasket	239-43370-00
23A	Burner Mounting Gasket	239-43246-00
24A	Burner Tube Kit (w/ gasket)	265-53033-00
25A	Burner Mounting Insert	239-43167-00
26A	Ground Wire Assembly 24" Green	239-51994-00
27A	Gas Regulator Kit (optional)	243-50142-00
28A	LP to Natural Gas /conversion Kit (optional)	265-51100-00

* Applies to all warranties



Item	Description	Model
		EF100T399(E)*(N,X)(A)2
1B	Keeper Latch & Catch	239-43239-00
2B	Screw 8-32 x 1/2 RHCR (2 Req'd)	239-41715-00
3B	Ignition Control Assembly	243-50697-00(see page 8)
4B	Surround Head-EF Comm.	243-45823-02
5B	Main Power Switch	239-43234-00
6B	Control Display-Honeywell Integrated Control	233-48231-00
7B	Rind Combustion Surround	239-47305-02
8B	Combustion Surround Base	239-51296-02
9B	Integrated Control Display Harness	239-46617-00
10B	Strain Relief Bushing (Power Cord)	239-80372-00



Item	Description	Model EF100T399(E)*(N,X)(A)2
1C	Control Mounting Panel	239-50514-00
2C	Ignition Control	233-47994-00
3C	Transformer	233-50559-00
4C	Power Anode Module Harness	239-46247-00
5C	Power Anode Harness	239-46070-00
6C	Power Cord Harness	239-48171-00
7C	Ignition Control Harness (Serial # LD through LJ)	239-48169-00
7C	Ignition Control Harness (Serial # LK & After)	239-51184-00
8C	Spark Cable Harness	239-46861-00
9C	Flame Sense Harness	239-48237-00
10C	Blower Control Harness	239-48170-00
11C	Blower Power Harness	239-48617-00
12C	Display Connection Harness	239-48168-00
13C	T-Stat Sensor Probe	239-48587-00
14C	Gas Valve Harness (Nat)	239-50266-00
	Gas Valve Harness (L.P.)	239-43571-00
15C	Power Anode Module	239-46229-00



BRADFORD WHITE®

W A T E R H E A T E R S

Ambler, PA

For U.S. and Canada field service,
contact your professional installer or
local Bradford White sales representative.

Sales/800-523-2931

Technical Support/800-334-3393
Email/techserv@bradfordwhite.com

Warranty/800-531-2111
Email/warranty@bradfordwhite.com

Service Parts/800-538-2020
Email/Parts@bradfordwhite.com

International:
international@bradfordwhite.com



BRADFORD WHITE™

CANADA

Halton Hills, Ontario, Canada

Sales & Technical Support/866-690-0961
905-203-0600

Fax/905-636-0666

Email

Warranty/bwccwarranty@bradfordwhite.com
Technical Support/BWCCTech@bradfordwhite.com
Parts/orders@bradfordwhitecanada.com
Orders/ca.orders@bradfordwhite.com

www.bradfordwhite.com