

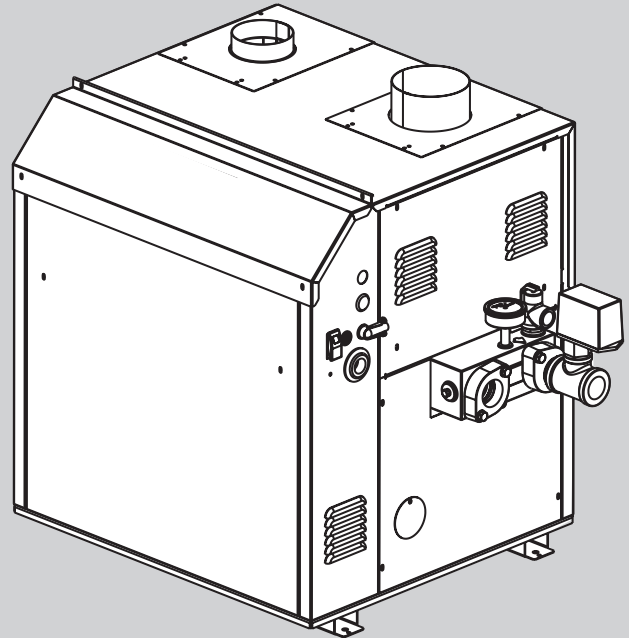
User's Information Manual

Brute® Deluxe

E N E R G Y S A V E R

Hydronic Boiler
Model BMT2H

Water Heater
Model BMT2V
Sizes 200, 300, 400



FOR YOUR SAFETY: This product must be installed and serviced by a professional service technician, qualified in boiler installation and maintenance. Improper installation and/or operation could create carbon monoxide gas in flue gases which could cause serious injury, property damage, or death. Improper installation and/or operation will void the warranty.

⚠️ WARNING

If the information in this manual is not followed exactly, a fire or explosion may result causing property damage, personal injury or loss of life.

Do not store or use gasoline or other flammable vapors and liquids in the vicinity of this or any other appliance.

WHAT TO DO IF YOU SMELL GAS

- Do not try to light any appliance.
- Do not touch any electrical switch; do not use any phone in your building.
- Immediately call your gas supplier from a nearby phone. Follow the gas supplier's instructions.
- If you cannot reach your gas supplier, call the fire department.

Installation and service must be performed by a qualified installer, service agency, or gas supplier.

⚠️ AVERTISSEMENT

Assurez-vous de bien suivre les instructions données dans cette notice pour réduire au minimum le risque d'incendie ou d'explosion ou pour éviter tout dommage matériel, toute blessure ou la mort.

Ne pas entreposer ni utiliser d'essence ni d'autres vapeurs ou liquides inflammables dans le voisinage de cet appareil ou de tout autre appareil.

QUE FAIRE SI VOUS SENTEZ UNE ODEUR DE GAZ:

- Ne pas tenter d'allumer d'appareils.
- Ne touchez à aucun interrupteur. Ne pas vous servir des téléphones dans le bâtiment où vous vous trouvez.
- Appelez immédiatement votre fournisseur de gaz depuis un voisin. Suivez les instructions du fournisseur.
- Si vous ne pouvez rejoindre le fournisseur de gaz, appelez le service des incendies.

L'installation et l'entretien doivent être assurés par un installateur ou un service d'entretien qualifié ou par le fournisseur de gaz.

TABLE OF CONTENTS

SECTION 1.

Caring For Your Brute Deluxe

1.1	General Care	3
1.2	Annual Inspection of Flues and Vents	3
1.3	Shutting Down the Brute Deluxe	3
1.4	To Restart the Brute Deluxe	3
1.5	In the Event of Power Failure	3
1.6	Full Service Every 3 Years	3

SECTION 1.

Caring For Your Brute Deluxe

Your Brute Deluxe will require very little Maintenance. However, as with any fine appliance there are certain steps that should be taken to ensure continuing optimum performance.

1.1 General Care

Keep the area around the Brute Deluxe clean and free from combustible materials, gasoline and other flammable liquids and vapors.

The Brute Deluxe must be completely isolated and protected from any source of corrosive chemical fumes such as trichlorethylene, perchlorethylene, chlorine, etc.

Keep grille openings on the boiler free for proper ventilation of interior components.

Do not obstruct or block a free flow of air to the boiler to ensure proper ventilation.

If desired, clean the jacket surfaces with a damp cloth and mild detergent. Do not use flammable cleaning materials.

If sidewall vented, keep the vent terminal clear of obstructions — do not pile snow against the vent terminal. Clean the air filter(s) often, and then develop an appropriate maintenance schedule.

1.2 Annual Inspection of Flue and Vents

Visually inspect the vent pipe once a year. Should any deterioration exist, have the affected parts replaced by a qualified service person.

1.3 Shutting Down the Brute Deluxe

1. Switch off the main electrical disconnect switch.
2. Close all manual gas valves.
3. If freezing is anticipated, drain the Brute Deluxe and be sure to also protect the building piping from freezing. **This step to be performed by a qualified service person.**

1.4 To Restart the Brute Deluxe

If drained, follow the Installation and Operation Manual for proper filling and purging.

1. Switch off the main electrical disconnect switch.
2. Close all manual gas valves.
3. **WAIT FIVE (5) MINUTES.**
4. Set the aquastat or thermostat to its lowest setting.

5. Open all manual gas valves.
6. Reset all safety switches (low water cut off, manual reset high limit, etc.).
7. Set the temperature controller to the desired temperature setting and switch on electrical power.
8. Burner will go through a prepurge period and ignitor warm-up period, followed by ignition.

1.5 In the Event of a Power Failure

The Brute Deluxe can not be operated during an electrical power outage. If there is an extended power outage with danger from freezing, then the Brute Deluxe (and all other water systems) should be drained completely. When draining the boiler, turn off main electrical disconnect switch. When placing back in service, refer to start-up instructions in the Installation and Operation Manual for filling and purging. Draining and filling shall only be done by a qualified service person.

1.6 Full Service Every Three (3) Years

In addition to the annual visual inspections, a qualified service agency should conduct a detailed inspection of all flue product carrying areas of the boiler and its venting system.

WARNING

Do not use this boiler if any part has been under water. Immediately call a qualified service technician to inspect the boiler and to replace any part of the control system and any gas control which has been under water.

WARNING

Should overheating occur or the gas supply fail to shut off, do not turn off or disconnect the electrical supply to the pump. Instead, shut off the gas supply at a location external to the boiler.

FOR SERVICE

Contact your installing contractor, gas utility, Bradford White dealer, or call Bradford White for the nearest authorized representative in your area.



H2339500A



200 Lafayette St.
Middleville, MI 49333
Warranty: (800) 531-2111

www.BradfordWhite.com

Litho in U.S.A. © Bradford White 1809 Document 1264A