



BRADFORD WHITE[®]
W A T E R H E A T E R S

REPLACEMENT PARTS LIST
Ecoston[™] Series Solar Indirect System

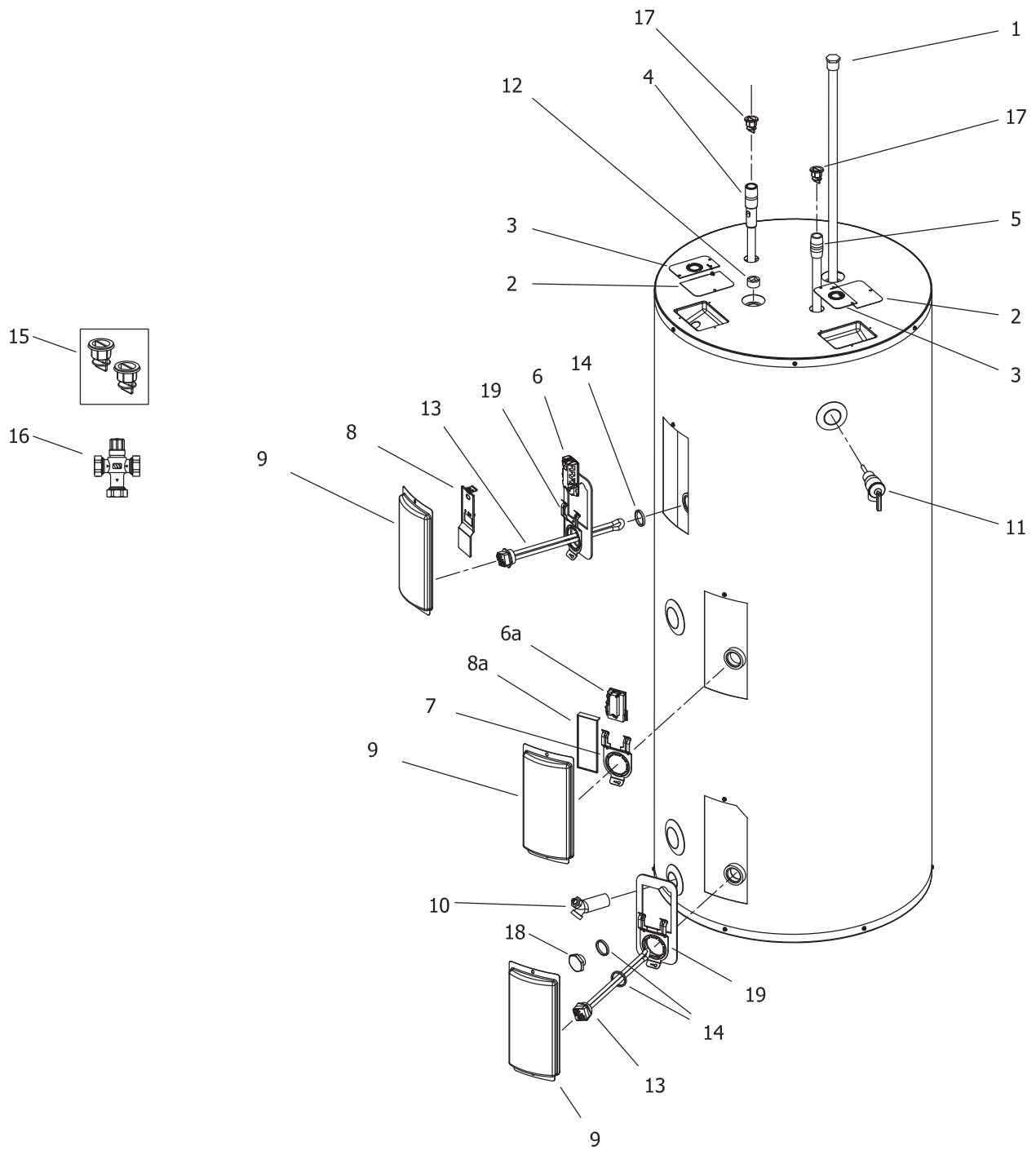


Includes Hydrojet[®]
Total Performance System

Effective: June, 2018
ECO 8195

**NOTE: BOTH MODEL AND SERIAL
NUMBERS ARE REQUIRED FOR
ORDERING REPLACEMENT PARTS**

Dimensions and specifications
subject to change without notice.



Item	Description	Model	Model	Model	Model	Model	Model
		S(SW,DW)260R*(D,S)S	S(SW,DW)275R*(D,S)S	S(SW,DW)2115R*(D,S)S	SDCDW255R*SW	SDCDW270R*SW	SDCDW2110R*SW
1	Anode-Hex Plug type (Aluminum)#	224-38508-07	224-38508-07	224-38508-07	224-38508-07	224-38508-07	224-38508-07
	Anode-Hex Plug type (A420 Aluminum)#	224-49559-04	224-49559-04	224-49559-04	224-49559-04	224-49559-04	224-49559-04
2	Cover Junction Box	243-39452-00	243-39452-00	243-39452-00	243-39452-00	243-39452-00	243-39452-00
3	Cover Conduit/Ground	243-39451-00	243-39451-00	243-39451-00	243-39451-00	243-39451-00	243-39451-00
4	Hot Water Outlet Anode (Aluminum)#	224-32999-26	224-32999-26	224-32999-13	224-32999-26	224-32999-26	224-32999-13
5	Cold Water Inlet Dip Tube (Polysulfone)	229-51230-10	229-51230-10	229-51230-13	229-51230-10	229-51230-10	229-51230-13
6	Thermostat with High Limit ▲	265-46281-00	265-46281-00	265-46281-00	265-46281-00	265-46281-00	265-46281-00
6a	Thermostat (Dual Element Only)▲	219-46279-00	219-46279-00	219-46279-00	---	---	---
7	Thermostat Mounting Bracket	239-44479-00	239-44479-00	239-44479-00	239-44479-00	239-44479-00	239-44479-00
8	Thermostat Protector (Large) ♦	223-40399-00	223-40399-00	223-40399-00	223-40399-00	223-40399-00	223-40399-00
8a	Thermostat Protector (Small)♦♦	223-46286-00	223-46286-00	223-46286-00	---	---	---
9	Access Cover	243-36618-02	243-36618-02	243-36618-02	243-36618-02	243-36618-02	243-36618-02
10	Brass Drain Valve	265-42351-02	265-42351-02	265-42351-02	265-42351-02	265-42351-02	265-42351-02
11	T&P Relief Valve	230-40594-02	230-40594-02	230-40594-02	230-40594-02	230-40594-02	230-40594-02
12	3/4 NPT Plug	239-11638-00	239-11638-00	---	---	---	---
13	Heating Element Incoloy 240V/4500W	220-42545-16	220-42545-16	220-42545-16	---	---	---
	Heating Element Incoloy 240V/5500W	220-42545-17	220-42545-17	220-42545-17	---	---	---
14	Element Gasket	223-34019-00	223-34019-00	223-34019-00	---	---	---
15	Kit-Heat Trap Insert	265-45420-00	265-45420-00	265-45420-00	265-45420-00	265-45420-00	265-45420-00
16	ASSE Approved Mixing Device (Optional)	239-51778-00	239-51778-00	239-51778-00	239-51778-00	239-51778-00	239-51778-00
17	Heat Trap Insert (Inlet & Outlet)	239-45167-00	239-45167-00	239-45167-00	239-45167-00	239-45167-00	239-45167-00
18	Element Plug (Single Element Only)	223-34020-00	223-34020-00	223-34020-00	---	---	---
19	Thermostat Bracket Assembly	243-47564-02	243-47564-02	243-47564-02	243-47564-01	243-47564-01	243-47564-01

* All Warranties

♦ For use with item 6.

♦♦ For use with item 6a.

▲ Thermostat protector provided with thermostat.

Anode may need to be cut to length



BRADFORD WHITE®

W A T E R H E A T E R S

Ambler, PA

For U.S. and Canada field service,
contact your professional installer or
local Bradford White sales representative.

Sales/800-523-2931

Technical Support/800-334-3393
Email/techserv@bradfordwhite.com

Warranty/800-531-2111
Email/warranty@bradfordwhite.com

Service Parts/800-538-2020
Email/Parts@bradfordwhite.com

International:
international@bradfordwhite.com



BRADFORD WHITE™ **CANADA**

Halton Hills, Ontario, Canada

Sales & Technical Support/866-690-0961
905-203-0600

Fax/905-636-0666

Email

Warranty/bwccwarranty@bradfordwhite.com
Technical Support/BWCCTech@bradfordwhite.com
Parts/orders@bradfordwhitecanada.com
Orders/ca.orders@bradfordwhite.com

www.bradfordwhite.com