



BRADFORD WHITE[®]
W A T E R H E A T E R S

INDIRECT HEATER REPLACEMENT PARTS LIST
Single Wall Indirect (SW) Models

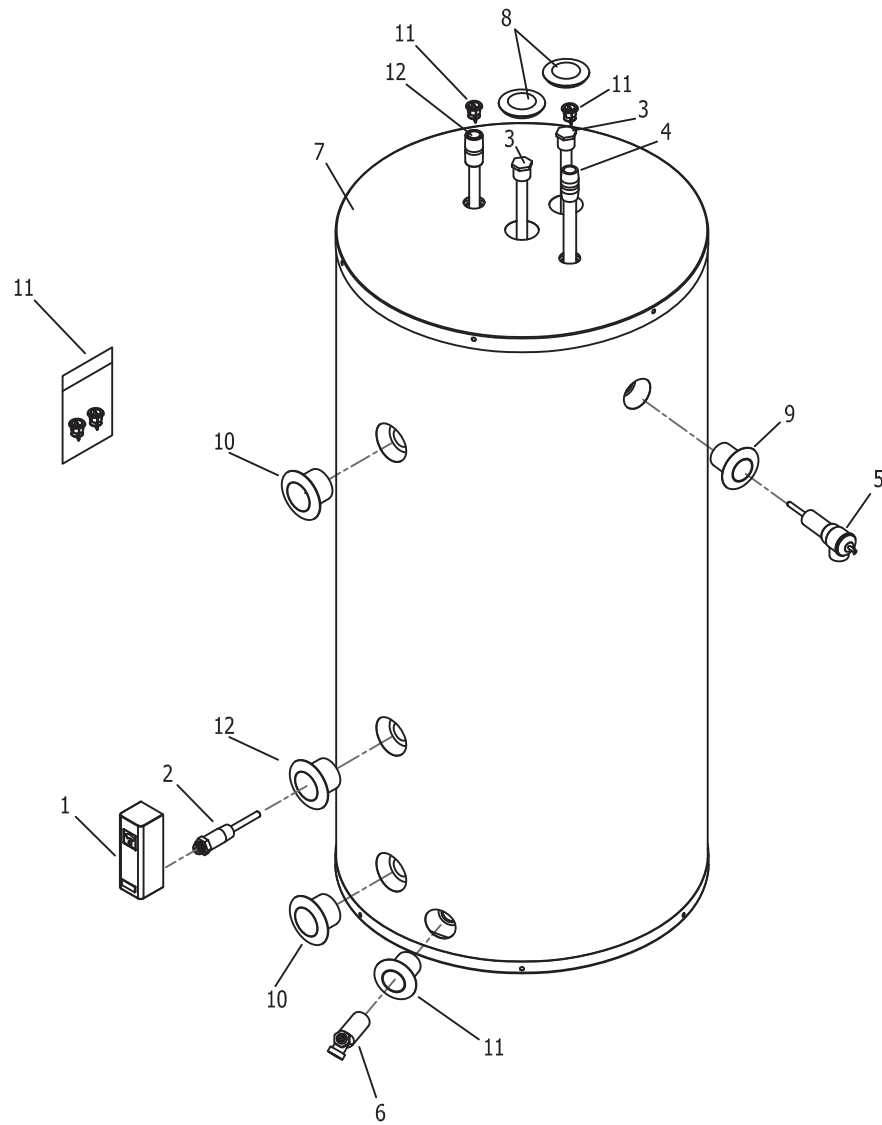


Includes Hydrojet[®]
Total Performance System

Effective: April, 2019
ECO 8227-1

**NOTE: BOTH MODEL AND SERIAL
NUMBERS ARE REQUIRED FOR
ORDERING REPLACEMENT PARTS**

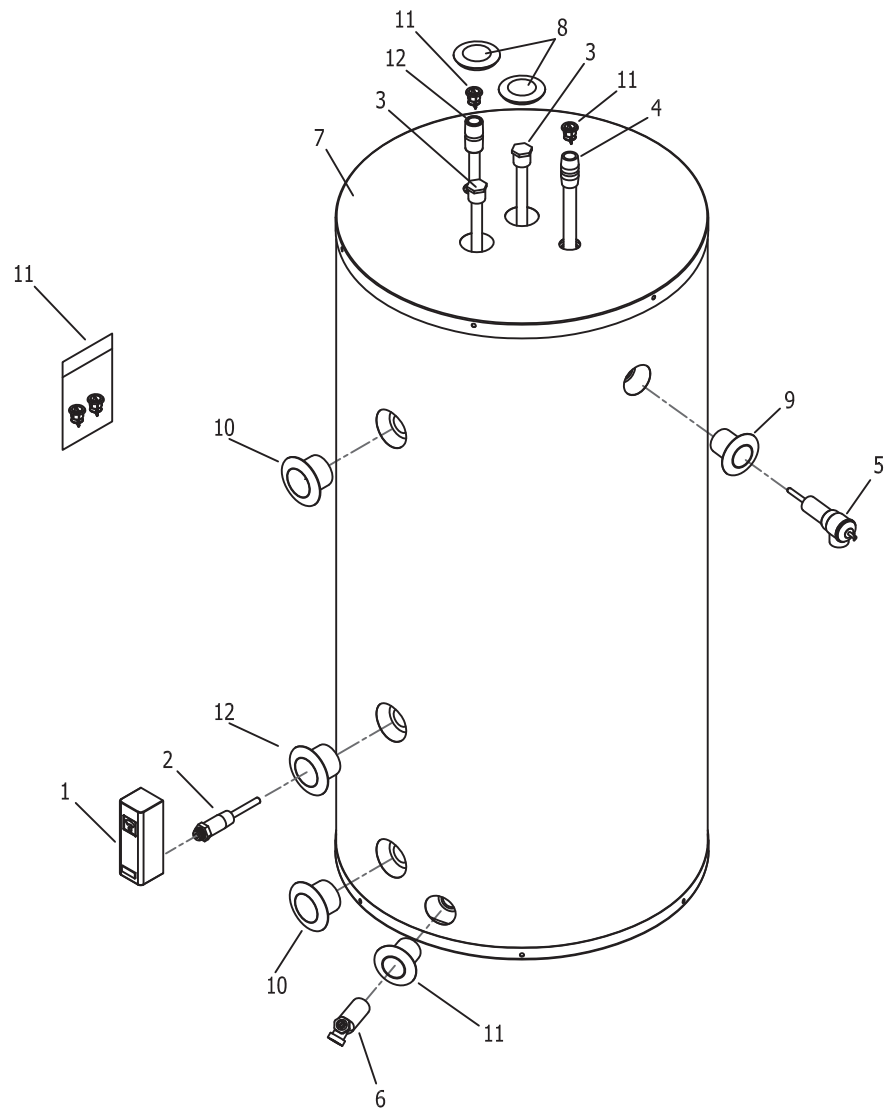
Dimensions and specifications
subject to change without notice.



Item	Description	Model	Model	Model	Model
		SW-2-30-L	SW-2-40R-L	SW-2-50R-L	SW-2-65-L
1	Aquastat	243-44416-00	243-44416-00	243-44416-00	243-44416-00
2	Aquastat Well	233-43315-00	233-43315-00	233-43315-00	233-43315-00
3	Anode-Hex Plug type (aluminum)#	224-38508-07	224-38508-07	224-38508-01	224-38508-07
	Anode-Hex Plug type (A420 Aluminum)#	224-49559-04	224-49559-04	224-49559-04	224-49559-04
4	Cold Water Inlet Dip Tube (PEX)	229-51230-02*	229-51230-16*	229-51230-06*	229-51230-10*
5	T&P Relief Valve	230-40594-02	230-40594-02	230-40594-02	230-40594-02
6	Brass Drain Valve	265-42351-02	265-42351-02	265-42351-02	265-42351-02
7	Jacket Head	243-53408-00	243-53408-00	243-53408-00	243-53408-00
8	Hole Closure	239-31547-02	239-31547-02	239-31547-02	239-31547-02
9	Escutcheon 2"	239-41337-00	239-41337-00	239-41337-00	239-41337-00
10	Escutcheon Coil Fitting	239-47978-00	239-47978-00	239-47978-00	239-47978-00
11	Heat Trap Kit (Inlet & Outlet)	265-51572-00	265-51572-00	265-51572-00	265-51572-00
12	Hot Water Outlet Anode (Aluminum)	224-32999-07	224-32999-13	224-32999-07	224-32999-07

* Nipple extender 229-19100-00 may be required for earlier models, please provide serial number.

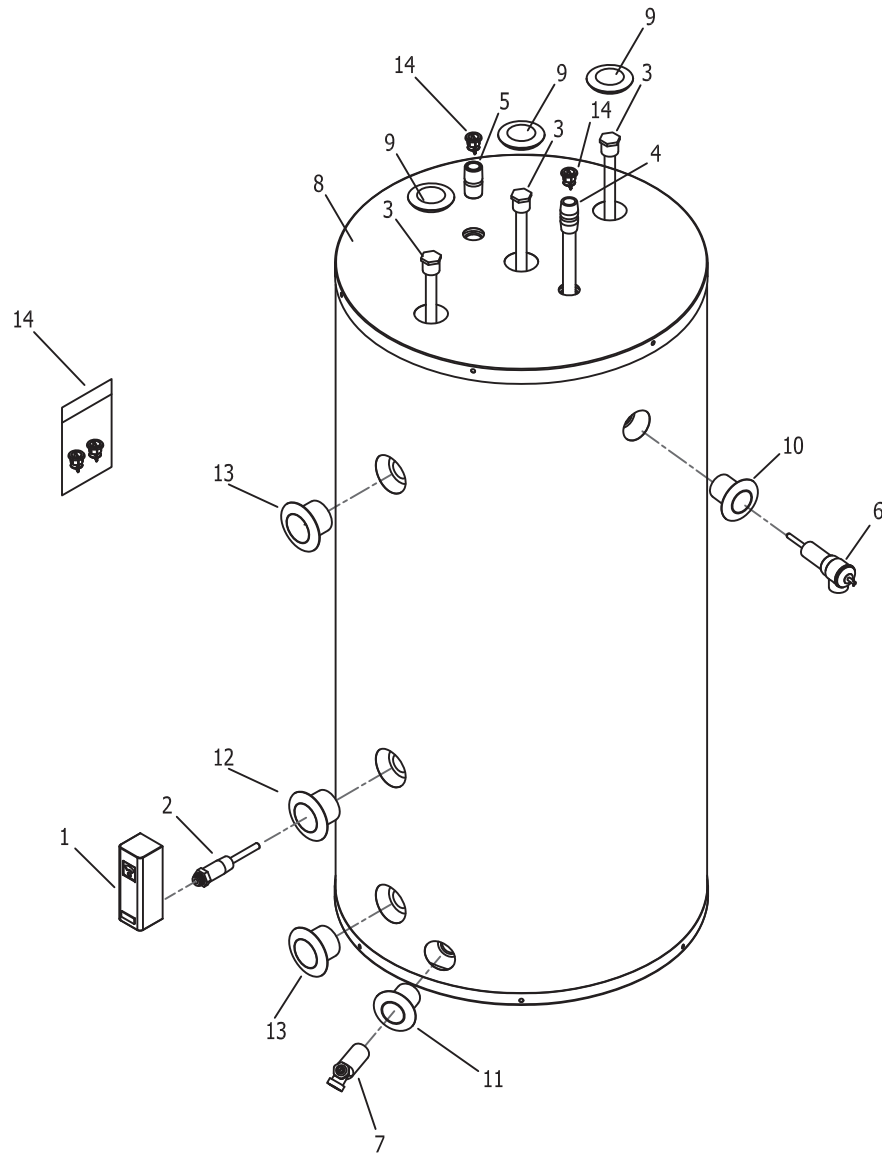
Anode may need to be cut to length



Item	Description	Model	Model
		SW-2-80-L	SW-2-120-L
1	Aquastat	243-44416-00	243-44416-00
2	Aquastat Well	233-43315-00	233-43315-00
3	Anode-Hex Plug type (aluminum)#	224-38508-07	224-38508-07
	Anode-Hex Plug type (A420 Aluminum)#	224-49559-04	N/A
4	Cold Water Inlet Dip Tube (PEX)	229-51230-10*	229-43632-04
5	T&P Relief Valve	230-40594-02	230-40594-03
6	Brass Drain Valve	265-42351-02	265-42351-02
7	Jacket Head	243-53410-00	243-53505-00
8	Hole Closure	239-31547-02	239-31547-02
9	Escutcheon 2"	239-41337-00	239-41337-00
10	Escutcheon Coil Fitting	239-47978-00	239-47978-00
11	Heat Trap Kit (Inlet & Outlet)	265-51572-00	N/A
12	Hot Water Outlet Anode (Aluminum)	224-32999-07	224-45036-01

* Nipple extender 229-19100-00 may be required for earlier models, please provide serial number.

Anode may need to be cut to length



Item	Description	Model	Model	Model	Model	Model	Model
		SW-2-40-L	SW-2-50-L	SW-2-120-L	SW-65C-5	SW-80C-5	SW-120C-5
1	Aquastat	243-44416-00	243-44416-00	243-44416-00	243-44416-00	243-44416-00	243-44416-00
2	Aquastat Well	233-43315-00	233-43315-00	233-43315-00	233-43315-00	233-43315-00	233-43315-00
3	Anode-Hex Plug type (aluminum)#	224-47783-08	224-47783-08	224-38508-07	224-38508-07	224-38508-07	224-38508-07
	Anode-Hex Plug type (A420 Aluminum)#	224-49559-04	224-49559-04	N/A	N/A	N/A	N/A
4	Cold Water Inlet Dip Tube (PEX)	229-51230-02*	229-51230-02*	229-43632-04*	229-43632-01	229-43632-01	229-43632-04
5	Hot Water Outlet Nipple	N/A	N/A	229-50053-02	229-50053-04	229-50053-04	229-50053-02
6	T&P Relief Valve	230-40594-02	230-40594-02	230-40594-03	230-33630-04	230-33630-04	230-33630-04
7	Brass Drain Valve	265-42351-02	265-42351-02	265-42351-02	265-42351-02	265-42351-02	265-42351-02
8	Jacket Head	239-51393-02	239-51393-03	239-51393-04	239-51392-02	239-51393-01	239-51393-04
9	Hole Closure	239-31547-02	239-31547-02	239-31547-02	239-31547-02	239-31547-02	239-31547-02
10	Escutcheon 2"	239-41337-00	239-41337-00	239-41337-00	239-81470-02	239-81470-02	239-81470-02
11	Escutcheon 2"	239-41337-00	239-41337-00	239-41337-00	239-41337-00	239-41337-00	239-41337-00
12	Escutcheon 2"	239-41337-00	239-41337-00	239-41337-00	239-41414-00	239-41414-00	239-41414-00
13	Escutcheon Coil Fitting	239-47978-00	239-47978-00	239-47978-00	239-47978-00	239-47978-00	239-47978-00
14	Heat Trap Kit (Inlet & Outlet)	265-51572-00	265-51572-00	N/A	N/A	N/A	N/A



BRADFORD WHITE®

W A T E R H E A T E R S

Ambler, PA

For U.S. and Canada field service,
contact your professional installer or
local Bradford White sales representative.

Sales/800-523-2931

Technical Support/800-334-3393
Email/techserv@bradfordwhite.com

Warranty/800-531-2111
Email/warranty@bradfordwhite.com

Service Parts/800-538-2020
Email/Parts@bradfordwhite.com

International:
international@bradfordwhite.com



BRADFORD WHITE®

CANADA

Halton Hills, Ontario, Canada

Sales & Technical Support/866-690-0961
905-203-0600

Fax/905-636-0666

Email

Warranty/bwccwarranty@bradfordwhite.com
Technical Support/BWCCTech@bradfordwhite.com
Parts/orders@bradfordwhitecanada.com
Orders/ca.orders@bradfordwhite.com

www.bradfordwhite.com