



RESIDENTIAL INDIRECT REPLACEMENT PARTS LIST

PowerStor2™ Series® Double-Wall Indirect (DW) Models



Models Covered:

DW240L
DW250L
DW265L
DW280L

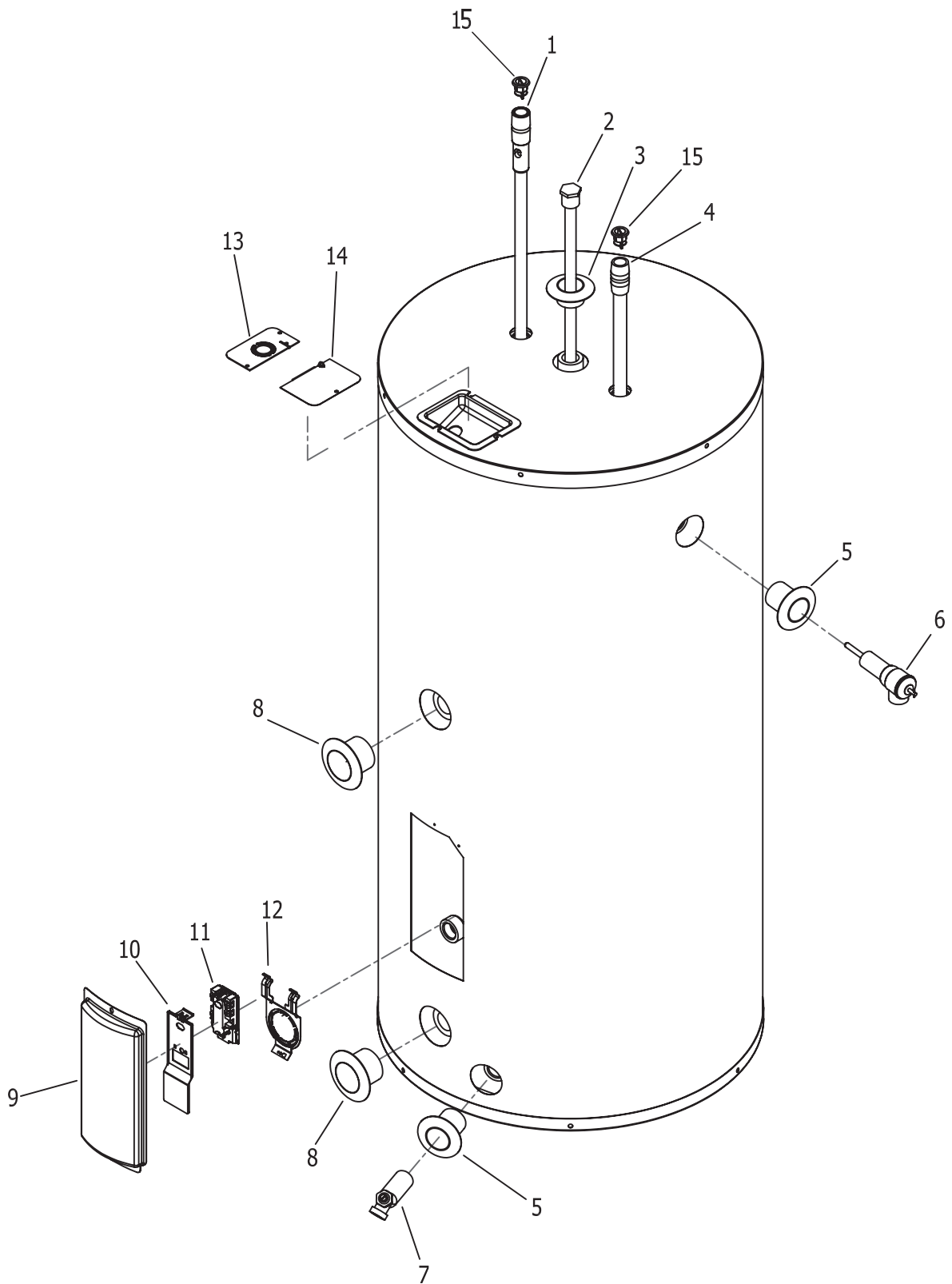
(* Denotes Warranty Years)

Includes Hydrojet®
Total Performance System

Effective: August, 2020
ECO 8255

**NOTE: BOTH MODEL AND SERIAL
NUMBERS ARE REQUIRED FOR
ORDERING REPLACEMENT PARTS**

Dimensions and specifications
subject to change without notice.



Item	Description	Model DW240L	Model DW250L	Model DW265L	Model DW280L
1	Hot Water Outlet/Anode 3/4 NPT (Aluminum) #	224-32999-22	224-32999-10	224-32999-13	224-32999-13
2	Anode (Aluminum) Hex Head #	224-38508-07	224-38508-07	224-38508-07	224-38508-07
	Anode (A420 Aluminum) Hex Head #	224-49559-04	224-49559-04	224-49559-04	224-49559-04
3	Escutcheon (1")	239-41336-00	239-41336-00	239-41336-00	239-41336-00
4	Cold Water Inlet Dip Tube, Pex	229-51230-19	229-51230-10	229-51230-19	229-51230-19
5	Escutcheon (1 1/2")	239-41337-00	239-41337-00	239-41337-00	239-41337-00
6	T&P Relief Valve	230-40594-02	230-40594-02	230-40594-02	230-40594-02
7	Brass Drain Valve	265-42351-02	265-42351-02	265-42351-02	265-42351-02
8	Escutcheon (Coil Fitting)	239-47978-00	239-47978-00	239-47978-00	239-47978-00
9	Access Cover	243-36618-02	243-36618-02	243-36618-02	243-36618-02
10	Thermostat Protector	223-50125-00	223-50125-00	223-50125-00	223-50125-00
11	Thermostat With High Limit	219-50691-00	219-50691-00	219-50691-00	219-50691-00
12	Thermostat Mounting Bracket	239-44478-00	239-44478-00	239-44478-00	239-44478-00
13	Cover Conduit/Ground	243-39451-00	243-39451-00	243-39451-00	243-39451-00
14	Cover Junction Box	243-39452-00	243-39452-00	243-39452-00	243-39452-00
15	Heat Trap Kit	265-51572-00	265-51572-00	265-51572-00	265-51572-00

Anodes may need to be cut to length

Reference Chart of Anode Length by Model

Model	AOD Anode Cut Length (End to end)		Hex Head Anode Cut Length (End to end)	
	Inches	Millimeters	Inches	Millimeters
DW240L	30.5	775	28	711
DW250L	30	762	36	914
DW265L	51.56	1310	52.38	1330
DW280L	51.56	1310	52.38	1330



United States

Sales 800-523-2931

Technical Support 800-334-3393

Email techserv@bradfordwhite.com

Warranty 800-531-2111

Email warranty@bradfordwhite.com

Service Parts 800-538-2020

Email parts@bradfordwhite.com

Canada

Sales & Technical Support 866-690-0961 905-203-0600

Fax 905-636-0666

Warranty bwccwarranty@bradfordwhite.com

Technical Support bwccotech@bradfordwhite.com

Service Parts orders@bradfordwhitecanada.com

Orders ca.orders@bradfordwhite.com

For U.S. and Canada field service,
contact your professional installer or
local Bradford White sales representative.

International

General Contact international@bradfordwhite.com