



**BRADFORD WHITE**<sup>®</sup>  
W A T E R   H E A T E R S

**RESIDENTIAL AND LIGHT DUTY COMMERCIAL  
REPLACEMENT PARTS LIST  
Power Direct Vent Models**



**(L,R)C2PDV50\*(N,X)**

(\*)Denotes Warranty Years

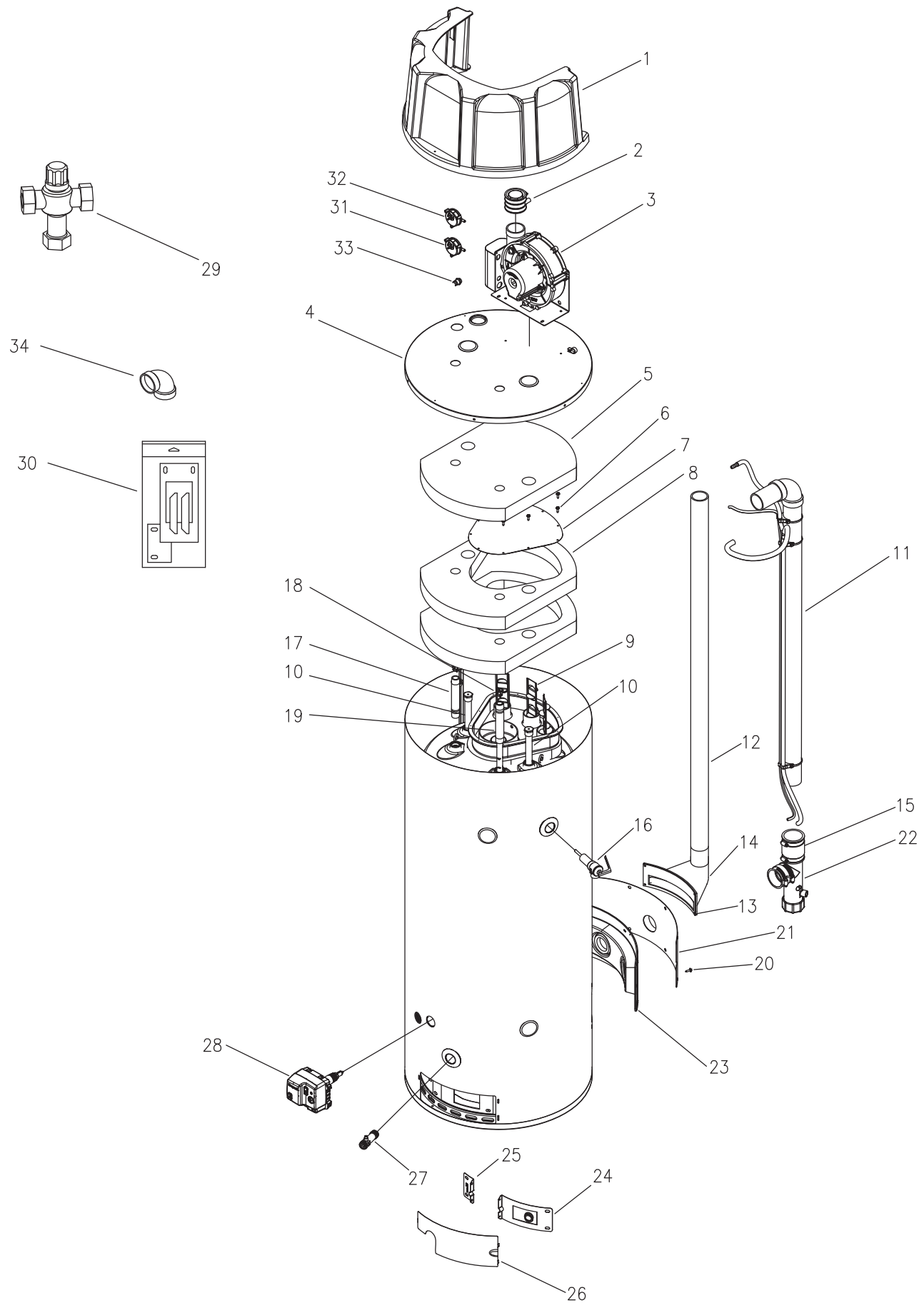


Includes Hydrojet<sup>®</sup>  
Total Performance System

**Effective: December, 2019  
ECO 8175**

**NOTE: BOTH MODEL AND SERIAL  
NUMBERS ARE REQUIRED FOR  
ORDERING REPLACEMENT PARTS**

Dimensions and specifications  
subject to change without notice.



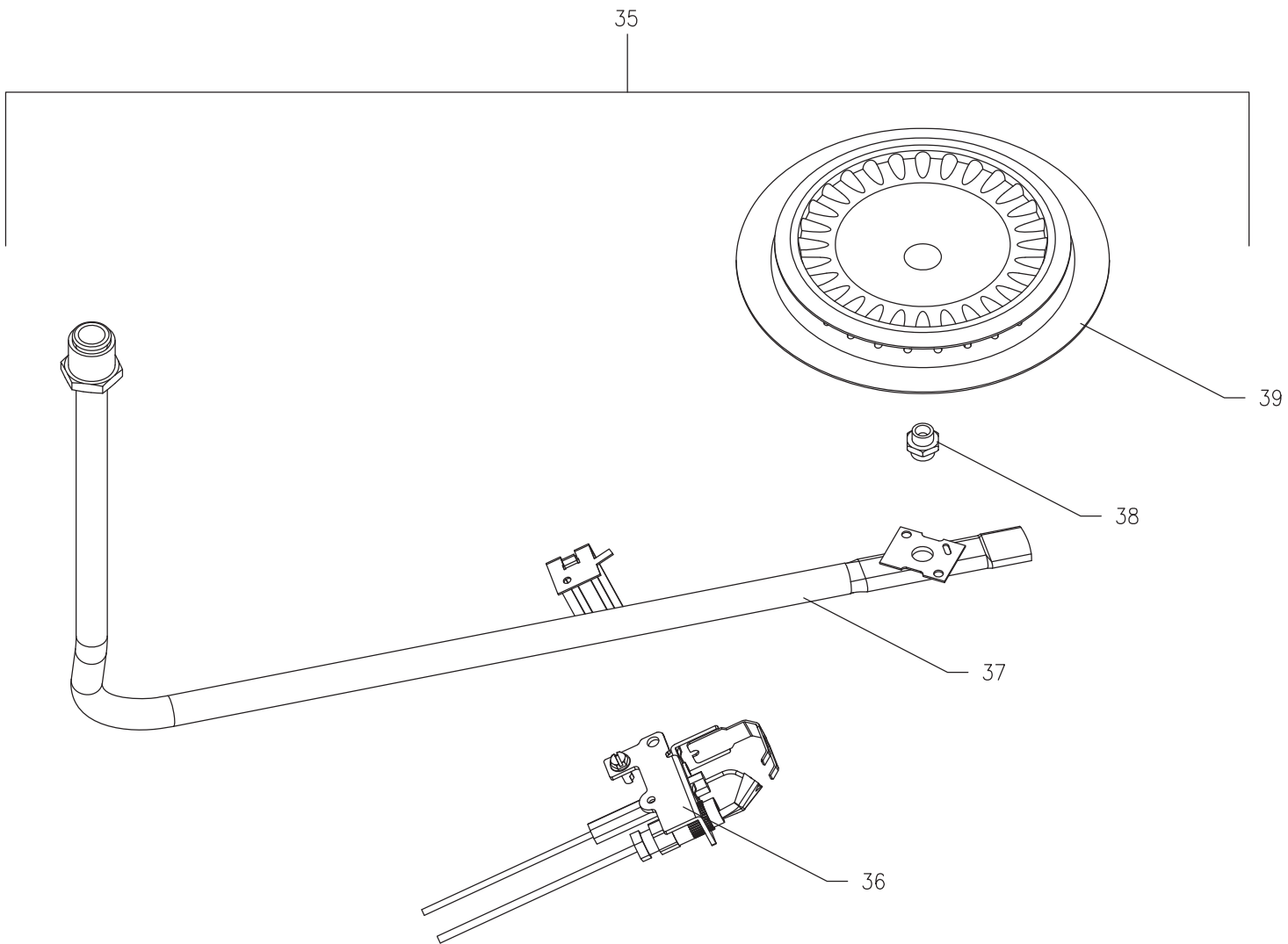
Item	Description	Model	Model	Model	Model
		RC2PDV50H*N	LC2PDV50H76*N	RC2PDV50H*X	LC2PDV50H76*X
1	Surround	239-50864-00	239-50864-00	239-50864-00	239-50864-00
2	2" Exhaust Adapter	239-50874-00	239-50874-00	239-50874-00	239-50874-00
3	Blower w/ 2" Exhaust Adapter	415-53185-00	415-53185-00	415-53185-00	415-53185-00
4	Jacket Head	239-50847-00	239-50847-00	239-50847-00	239-50847-00
5	Jacket Head Insulation	226-50839-00	226-50839-00	226-50839-00	226-50839-00
6	Screw #8-18 x 1/2 (QTY 10)	239-32761-00	239-32761-00	239-32761-00	239-32761-00
7	Flue Collector Assembly	239-50849-00	239-50849-00	239-50849-00	239-50849-00
8	Collector Insulation (QTY 2)	226-50841-00	226-50841-00	226-50841-00	226-50841-00
9	Flue Baffle	239-50826-00	239-50826-00	239-50826-00	239-50826-00
10	Hex Head Anode (A420 Aluminum) (QTY 2) #	224-49559-03	224-49559-03	224-49559-03	224-49559-03
11	Vent Pipe Assembly	239-50846-01	239-50846-01	239-50846-01	239-50846-01
12	Intake Pipe Assembly	239-53268-00	239-53268-00	239-53268-00	239-53268-00
13	Air Intake Boot Gasket	w/ Intake Boot	w/ Intake Boot	w/ Intake Boot	w/ Intake Boot
14	Air Intake Boot	239-47514-20	239-47514-20	239-47514-20	239-47514-20
15	Coupling-2 X 2	239-47850-00	239-47850-00	239-47850-00	239-47850-00
16	T&P Relief Valve	230-40594-02	230-40594-02	230-40594-02	230-40594-02
17	Hot Water Outlet Nipple	229-32762-28	229-32762-28	229-32762-28	229-32762-28
18	Kit Heat Trap Insert (QTY 2)	265-45420-00	265-45420-00	265-45420-00	265-45420-00
19	Cold Water Inlet Pex	229-53269-01	229-53269-01	229-53269-01	229-53269-01
20	Screw (QTY 8)	239-51224-00	239-51224-00	239-51224-00	239-51224-00
21	Exhaust Cover	239-51632-00	239-51632-00	239-51632-00	239-51632-00
22	Condensate Tee	239-51529-00	239-51529-00	239-51529-00	239-51529-00
23	Exhaust Gasket	239-50854-00	239-50854-00	239-50854-00	239-50854-00
24	Right Side Inner Door*	239-45642-20	239-45642-20	239-45642-20	239-45642-20
25	Left Side Inner Door*	239-43968-20	239-43968-20	239-43968-20	239-43968-20
26	Outer Door	243-43962-00	243-43962-00	243-43962-00	243-43962-00
27	Brass Drain Valve	265-42351-02	265-42351-02	265-42351-02	265-42351-02
28	Gas Valve	415-48795-02	415-48795-04	415-48796-02	415-48796-04
29	ASSE Approved Mixing Valve (Optional)	239-51778-00	239-51778-00	239-51778-00	239-51778-00
30	Inner Door Gasket Kit	265-51742-00	265-51742-00	265-51742-00	265-51742-00
31	Pressure Switch (-2.15" W.C. ±0.08)	415-53204-00	415-53204-00	415-53204-00	415-53204-00
32	Pressure Switch (-0.80" W.C. ±0.05)	415-53396-00	415-53396-00	415-53396-00	415-53396-00
33	Blower Temperature Switch	239-48752-00	239-48752-00	239-48752-00	239-48752-00
34	2" Vent Elbow	239-51794-00	239-51794-00	239-51794-00	239-51794-00

\*Inner door gasket kit recommended

Order the specific component required for the quickest delivery.

#Anode may need to be cut to length, please see page 6 reference chart of anode length by model.





Item	Description	Model	Model	Model	Model
		RC2PDV50H*N	LC2PDV50H76*N	RC2PDV50H*X	LC2PDV50H76*X
35	Burner Assembly**	265-47784-03-21	265-47784-03-21	265-47376-02-40	265-47376-02-40
36	Pilot*	233-45653-02	233-45653-02	233-45653-04	233-45653-04
37	Feedline*	233-47374-03	233-47374-03	233-47672-04	233-47672-04
38	Orifice*	2341034-21	234-41034-21	234-47064-40	234-47064-40
39	Burner*	228-42506-00	228-42506-00	228-47000-00	228-47000-00

\*Inner door gasket kit recommended

\*\*Ordering a complete burner assembly may increase delivery time.

#Anode may need to be cut to length, please see page 6 reference chart of anode length by model.

## Reference Chart of Anode Length by Model

Model	AOD Anode Cut (End to end)		Hex Head Anode Cut Length (End to end)	
	Inches	Millimeters	Inches	Millimeters
RC2PDV50H*(N,X)	---	---	35	889
RC2PDV50H*(N,X)-457	---	---	35	889
LC2PDV50H*(N,X)	---	---	35	889
LC2PDV50H*(N,X)-457	---	---	35	889





# **BRADFORD WHITE®**

W A T E R H E A T E R S

Ambler, PA

For U.S. and Canada field service,  
contact your professional installer or  
local Bradford White sales representative.

**Sales/800-523-2931**

**Technical Support/800-334-3393**  
**Email/techserv@bradfordwhite.com**

**Warranty/800-531-2111**  
**Email/warranty@bradfordwhite.com**

**Service Parts/800-538-2020**  
**Email/Parts@bradfordwhite.com**

**International:**  
**international@bradfordwhite.com**



# **BRADFORD WHITE®** **CANADA**

Halton Hills, Ontario, Canada

**Sales & Technical Support/866-690-0961**  
**905-203-0600**

**Fax/905-636-0666**

## **Email**

**Warranty/bwccwarranty@bradfordwhite.com**  
**Technical Support/BWCCTech@bradfordwhite.com**  
**Parts/orders@bradfordwhitecanada.com**  
**Orders/ca.orders@bradfordwhite.com**

**www.bradfordwhite.com**