

Residential Utility Electric Water Heater

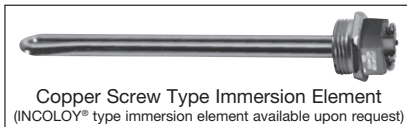
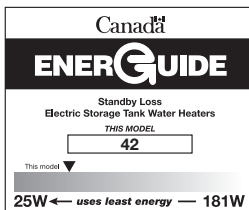


Photo is of
RE112U6

The Utility Electric Models Feature:

- **Fully Automatic Controls**—Fast acting surface-mount thermostat with high limit energy cut-off (manual reset) for safety.
- **Direct Heat Transfer With a Single Immersed Element**—Transfers heat directly and efficiently to the water. Screw-in style element.
- **Vitraglas[®] Lining with Microban[®]**—An exclusively engineered enamel formula that provides superior tank protection from the corrosive effects of water; and with Microban[®] antimicrobial product protection to help prevent the growth of bacteria, mold and mildew on the surface of the tank lining.
- **Insulation System**—1" (25mm) Non-CFC foam insulation covers the sides and top of the tank, reducing heat loss. This results in less energy consumption, improved efficiencies, and jacket rigidity.
- **Water Connections**—3/4" (19mm) NPT factory-installed true dielectric fittings extend water heater life and simplify water line connections. Located on the side for easier installation (Fittings packaged separately inside carton).
- **Protective Anode Rod**—Provides added protection against corrosion for long-term, trouble-free service.
- **Voltages Available**—120V, 208V, 240V, 277V, 480V.
- **Single Phase Operation Only.**
- **T&P Relief Valve**—Installed.
- **These Water Heaters are Approved for Installation in a Manufactured Home**—(mobile home) and must be installed in accordance with CAN/CSA Z240 MH series.

FEATURING:



6 or 10-Year Limited Tank Warranties / 6 or 10-Year Limited Warranty on Component Parts.

For more information on warranty, please visit www.bradfordwhite.com

For products installed in USA, Canada, and Puerto Rico. Some states do not allow limitations on warranties. See complete copy of the warranty included with the heater.

Microban[®] antimicrobial product protection helps prevent the growth of bacteria, mold and mildew that may affect the product. The built-in antimicrobial properties do not protect users or others from disease-causing organisms. Microban[®] is a registered trademark of Microban Products Company.



Residential Utility Electric Water Heater

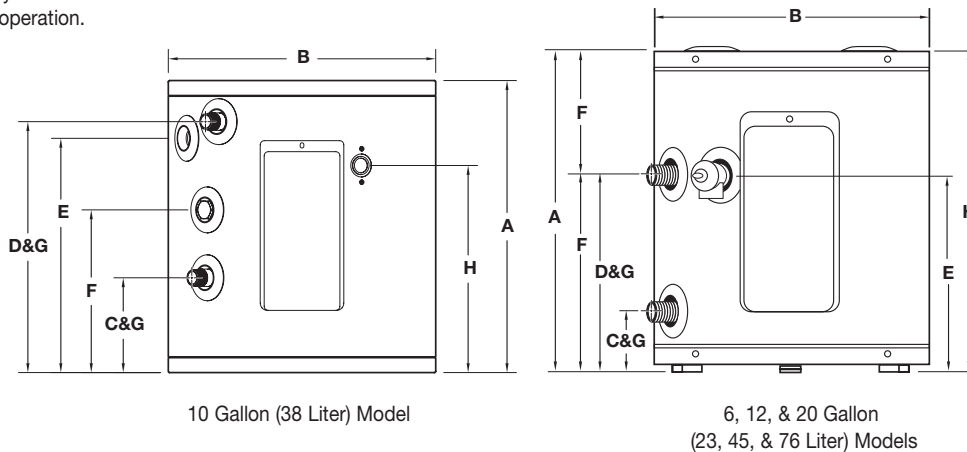
Utility Models

| Model Number | Rated Nominal Capacity | | Standby Loss (Watts) | Recovery at 90°F Rise* | | A Floor to Top of Heater in. | B Jacket Dia. in. | C Floor to Cold Water Conn. in. | D Floor to Hot Water Conn. in. | E Floor to T&P Conn. in. | F Floor to Anode Rod in. | G Water Conn. NPT in. | H Floor to Electrical Access in. | Approx. Shipping Weight lbs. |
|--------------|------------------------|-----------|-------------------------|------------------------|----------|----------------------------------|-------------------|---------------------------------|----------------------------------|----------------------------------|--------------------------------|-----------------------|----------------------------------|--------------------------------|
| | U.S. Gal. | Imp. Gal. | | U.S. GPH | Imp. GPH | | | | | | | | | |
| RE16U6† | 6 | 5 | N/A | 7 | 6 | 16 ⁹ / ₁₆ | 14 | 2 ³ / ₄ | 9 ³ / ₄ | 9 ³ / ₄ | N/A | 3/4 | 16 ⁹ / ₁₆ | 35 |
| RE110U6 | 10 | 8 | N/A | 7 | 6 | 17 ⁷ / ₁₆ | 16 | 5 ⁵ / ₈ | 14 ¹⁵ / ₁₆ | 13 ¹⁵ / ₁₆ | 9 ⁵ / ₈ | 3/4 | 12 | 44 |
| RE112U6 | 12 | 10 | N/A | 7 | 6 | 16 ¹⁵ / ₁₆ | 18 | 2 ³ / ₄ | 9 ³ / ₄ | 9 ³ / ₄ | N/A | 3/4 | 16 ¹⁵ / ₁₆ | 53 |
| RE112T6† | 12 | 10 | N/A | 7 | 6 | 27 ⁵ / ₁₆ | 14 | 2 ³ / ₄ | 20 ⁵ / ₈ | 20 ⁵ / ₈ | N/A | 3/4 | 27 ⁵ / ₁₆ | 48 |
| RE220U6 | 18 | 15 | 42 | 7 | 6 | 26 ¹ / ₄ | 20 | 3 ¹ / ₄ | 18 ¹ / ₂ | 18 ¹ / ₂ | 18 ¹ / ₂ | 3/4 | 26 ¹ / ₄ | 67 ¹ / ₂ |

| Model Number | Rated Nominal Capacity | | Standby Loss (Watts) | Recovery at 50°C Rise* | | A Floor to Top of Heater mm. | B Jacket Dia. mm. | C Floor to Cold Water Conn. mm. | D Floor to Hot Water Conn. mm. | E Floor to T&P Conn. mm. | F Floor to Anode Rod mm. | G Water Conn. NPT mm. | H Floor to Electrical Access mm. | Approx. Shipping Weight kg. |
|--------------|------------------------|--|-------------------------|------------------------|--|------------------------------|-------------------|---------------------------------|--------------------------------|--------------------------|--------------------------|-----------------------|----------------------------------|-----------------------------|
| | Liters | | | Liters/Hour | | | | | | | | | | |
| RE16U6† | 23 | | N/A | 26 | | 411 | 356 | 70 | 248 | 248 | N/A | 19 | 411 | 16 |
| RE110U6 | 38 | | N/A | 26 | | 443 | 404 | 143 | 380 | 354 | 244 | 19 | 305 | 20 |
| RE112U6 | 45 | | N/A | 26 | | 438 | 457 | 70 | 248 | 248 | N/A | 19 | 430 | 24 |
| RE112T6† | 45 | | N/A | 26 | | 694 | 356 | 70 | 524 | 524 | N/A | 19 | 694 | 22 |
| RE220U6 | 68 | | 42 | 26 | | 667 | 508 | 83 | 470 | 470 | 470 | 19 | 667 | 76 |

† Maximum wattage at any voltage is 3000W.
 For 10 year models, change suffix "6" to "10".
 Single element only.

* Based on 1500W operation.



| Wattage | Recovery GPH Temperature Rise °F | | | | | Wattage | Recovery LPH Temperature Rise °C | | | | |
|---------|----------------------------------|----|----|-----|-----|---------|----------------------------------|-----|-----|----|----|
| | 60 | 80 | 90 | 100 | 120 | | 34 | 45 | 50 | 56 | 67 |
| 1500W | 10 | 8 | 7 | 6 | 5 | 1500W | 38 | 30 | 26 | 23 | 19 |
| 2000W | 14 | 10 | 9 | 8 | 7 | 2000W | 53 | 38 | 34 | 30 | 26 |
| 2500W | 17 | 13 | 11 | 10 | 9 | 2500W | 64 | 49 | 42 | 38 | 34 |
| 3000W | 21 | 15 | 14 | 12 | 10 | 3000W | 79 | 57 | 53 | 45 | 38 |
| 3500W | 24 | 18 | 16 | 14 | 12 | 3500W | 91 | 68 | 61 | 53 | 45 |
| 4000W | 28 | 21 | 18 | 16 | 14 | 4000W | 106 | 79 | 68 | 61 | 53 |
| 4500W | 31 | 23 | 21 | 19 | 15 | 4500W | 117 | 87 | 79 | 72 | 57 |
| 5000W | 34 | 26 | 23 | 21 | 17 | 5000W | 129 | 98 | 87 | 79 | 64 |
| 5500W | 38 | 29 | 25 | 23 | 19 | 5500W | 144 | 110 | 95 | 87 | 72 |
| 6000W | 41 | 31 | 28 | 25 | 21 | 6000W | 155 | 117 | 106 | 95 | 79 |

| Wattage Limitations | Voltage | | | | |
|---------------------|---------|------|------|------|------|
| | 120V | 208V | 240V | 277V | 480V |
| 1500W | yes | yes | yes | yes | yes |
| 2000W | yes | yes | yes | yes | yes |
| 2500W | yes | yes | yes | yes | yes |
| 3000W | yes | yes | yes | yes | yes |
| 3500W | no | yes | yes | no | no |
| 4000W | no | yes | yes | yes | yes |
| 4500W | no | yes | yes | yes | yes |
| 5000W | no | yes | yes | yes | yes |
| 5500W | no | yes | yes | no | no |
| 6000W | no | yes | yes | yes | yes |

General:

All models UL® listed. These heaters are wired Single Phase, 120V with one 1500W element, unless otherwise specified. All water and electrical connections are 3/4" (19mm) NPT. All models certified at 300 PSI test pressure (2068 kPa) and 150 PSI working pressure (1034 kPa). Applicable models CSA-verified for energy performance in accordance with C191.1-M90.

Dimensions and specifications subject to change without notice in accordance with our policy of continuous product improvement.

Customer Service / Sales: 1-866-690-0961 / 905-203-0600
24/7 Technical Support: 800-334-3393 ■ Email techserv@bradfordwhite.com

Built to be the Best®