



CANADA RESIDENTIAL ELECTRIC REPLACEMENT Upright, Lowboy, & High Efficiency Upright Models



Models Covered:
RE2(30,40,50)S*
RE3(30,40,50)S*
RE2(50,55,65)T*
RE250T* Alternate
RE3(40,50)T*
RE2(30,40,50)L*
RE130L*
RE2(30,40,50)LN*
RE280T*
*Denotes warranty year

**Effective: May, 2023
ECO 8414**

**NOTE: BOTH MODEL AND SERIAL
NUMBERS ARE REQUIRED FOR
ORDERING REPLACEMENT PARTS**

Dimensions and specifications
subject to change without notice.

TOP LOCATION

- Double element water heater, non-simultaneous single phase and three phase operation.

59T66T

415-51046-00

TOP LOCATION

- Double element water heater, simultaneous operation.

BOTTOM LOCATION

- Single element water heater.
- Double element water heater, non-simultaneous three phase operation.
- Double element water heater, simultaneous operation.

59T66T

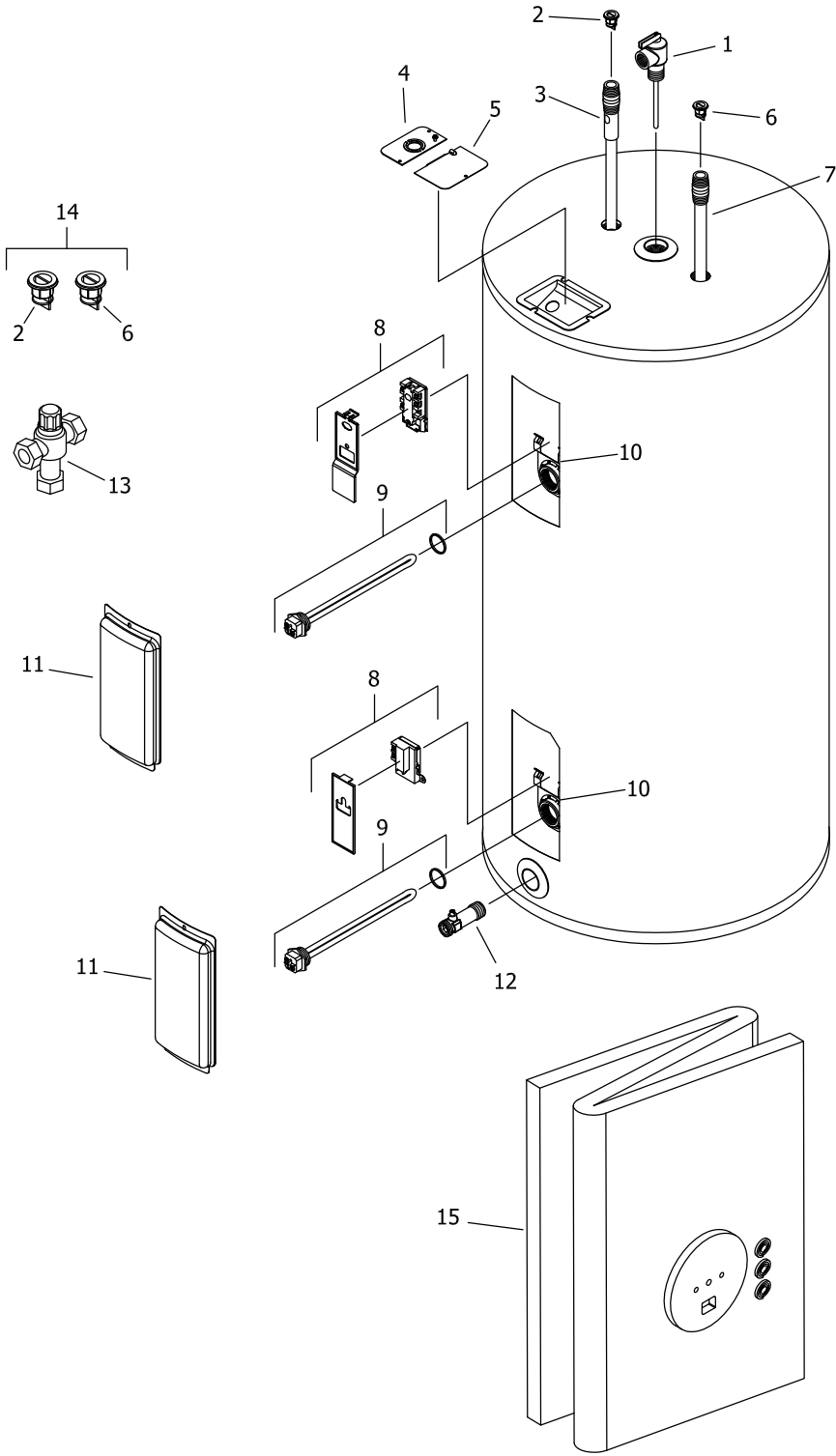
415-50691-00

BOTTOM LOCATION

- Double element water heater, non-simultaneous single phase operation

59T

415-51046-00



Item	Description	Model RE230S	Model RE240S	Model RE250S	Model RE330S	Model RE340S	Model RE350S
1	T&P Relief Valve	415-40594-02	415-40594-02	415-40594-02	415-40594-02	415-40594-02	415-40594-02
2	Heat Trap Insert (Outlet)	415-45167-00	415-45167-00	415-45167-00	415-45167-00	415-45167-00	415-45167-00
3	Hot Water Outlet Anode (Magnesium) ♦#	415-47776-19	415-47776-19	415-47776-19	415-47776-19	415-47776-19	415-47776-19
	Hot Water Outlet Anode (Aluminum) ♦#	415-32999-28	415-32999-28	415-32999-28	415-32999-28	415-32999-28	415-32999-28
	Hot Water Outlet Anode (A420 Aluminum) ♦#	415-49560-10	415-49560-10	415-49560-10	415-49560-10	415-49560-10	415-49560-10
4	Cover Conduit/Ground w/ Ground Screw	239-55386-00	239-55386-00	239-55386-00	239-55386-00	239-55386-00	239-55386-00
5	Cover Junction Box	243-39452-00	243-39452-00	243-39452-00	243-39452-00	243-39452-00	243-39452-00
6	Heat Trap Insert (Inlet)	415-51556-00	415-51556-00	415-51556-00	415-51556-00	415-51556-00	415-51556-00
7	Cold Water Inlet Tube PEX ♦♦	415-51230-21	415-51230-21	415-51230-21	415-51230-21	415-51230-21	415-51230-21
8	Upper Thermostat with High Limit (59T66) & Protector ▲■	415-51046-00	415-51046-00	415-51046-00	415-51046-00	415-51046-00	415-51046-00
	Lower Thermostat (59T66) w/ Protector ▲■	415-51046-00	415-51046-00	415-51046-00	415-51046-00	415-51046-00	415-51046-00
	Lower Thermostat with High Limit (59T66) ▲	415-50691-00	415-50691-00	415-50691-00	415-50691-00	415-50691-00	415-50691-00
9	Heating Element 240V 4500W w/ Gasket μ	415-48642-00	415-48642-00	415-48642-00	415-48642-00	415-48642-00	415-48642-00
10	Thermostat Mounting Bracket	415-50689-00	415-50689-00	415-50689-00	415-50689-00	415-50689-00	415-50689-00
11	Access Cover	243-36618-02	243-36618-02	243-36618-02	243-36618-02	243-36618-02	243-36618-02
12	Drain Valve	415-51684-01	415-51684-01	415-51684-01	415-51684-02	415-51684-02	415-51684-02
13	ASSE Approved Mixing Valve	239-51778-00	239-51778-00	239-51778-00	239-51778-00	239-51778-00	239-51778-00
14	Kit-Heat Trap Insert (PEX)	265-51572-00	265-51572-00	265-51572-00	265-51572-00	265-51572-00	265-51572-00
15	Blanket Kit	239-50210-01	239-50210-01	239-50210-02	---	---	---

♦ Order with item 2.

♦♦ Order with item 6.

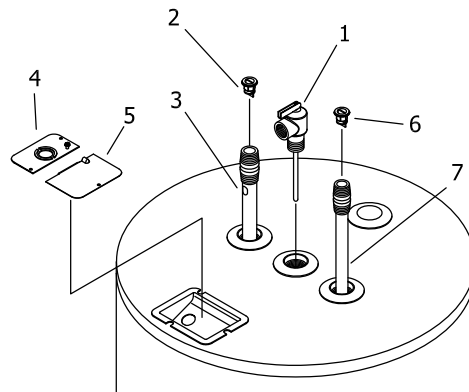
▲ Thermostat protector provided with thermostat. The thermostat mounting bracket is also provided with the thermostat.

μ For other voltage and wattage combinations, refer to heating elements on page 10 & 11

■ Upper and lower thermostats are packaged together.

Anode may need to be cut to length, please see page 12 for reference chart of anode length by model.

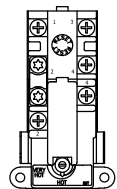
RE250T ALTERNATE CONSTRUCTION*



TOP LOCATION

- Double element water heater, non-simultaneous single phase and three phase operation.

59T66T



415-51046-00

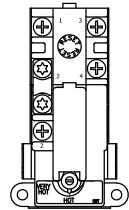
TOP LOCATION

- Double element water heater, simultaneous operation.

BOTTOM LOCATION

- Single element water heater.
- Double element water heater, non-simultaneous three phase operation.
- Double element water heater, simultaneous operation.

59T66T

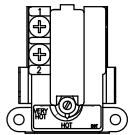


415-50691-00

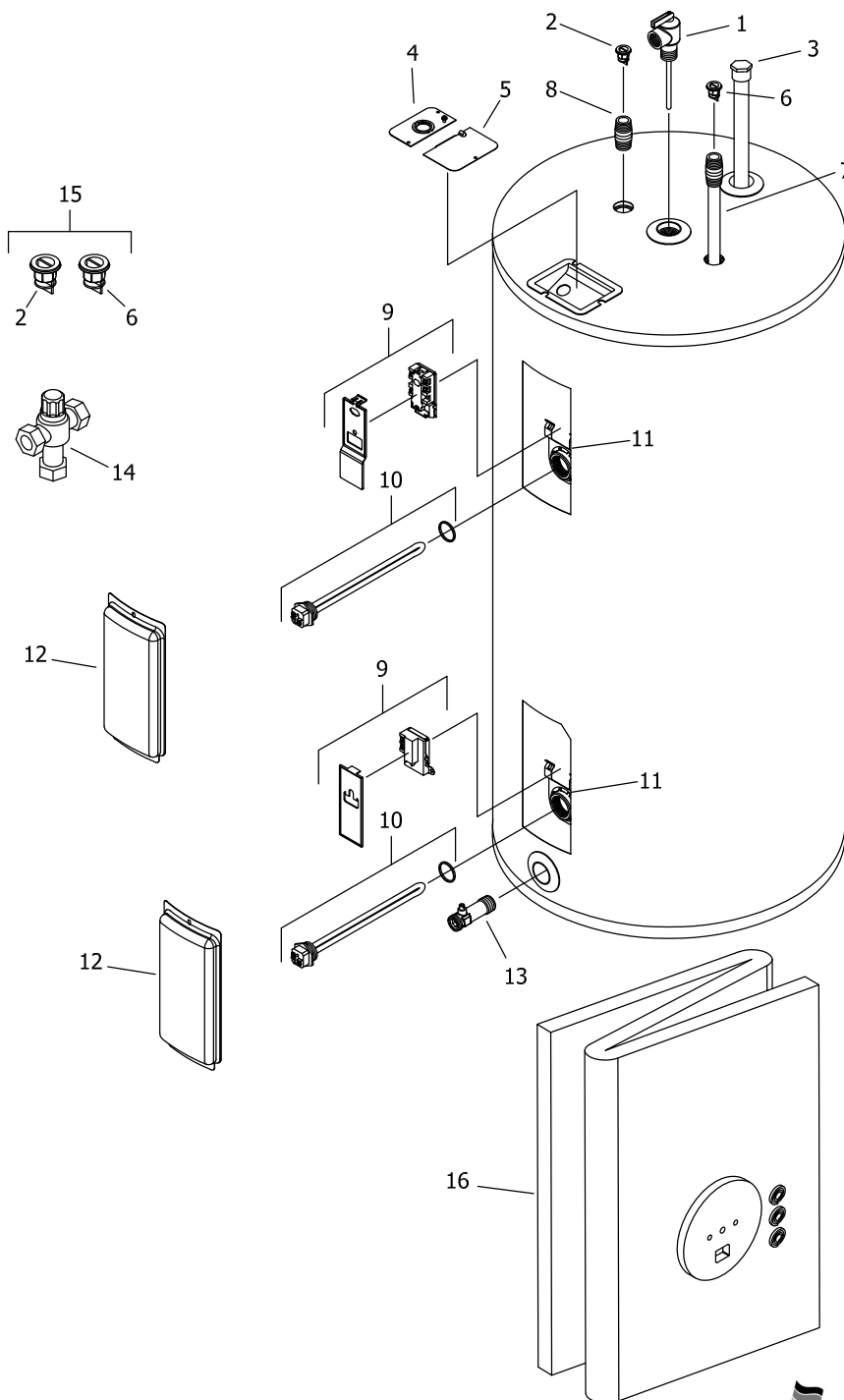
BOTTOM LOCATION

- Double element water heater, non-simultaneous single phase operation

59T



415-51046-00



Item	Description	Model RE250T	Model RE250T Alternate*	Model RE265T	Model RE280T	Model RE340T	Model RE350T
1	T&P Relief Valve	415-40594-02	415-40594-02	415-40594-02	415-40594-02	415-40594-02	415-40594-02
2	Heat Trap Insert (Outlet)	415-45167-00	415-45167-00	415-45167-00	415-45167-00	415-45167-00	415-45167-00
3	Hot Water Outlet Anode (Magnesium) ♦#	---	415-47776-19	415-47776-19	224-47776-27	415-47776-19	415-47776-25
	Hot Water Outlet Anode (Aluminum) ♦#	---	415-32999-28	415-32999-28	415-32999-28	415-32999-28	415-32999-43
	Hex head Sacrificial Anode (Aluminum) ♦#	415-38508-07	---	---	---	---	---
	Hot Water Outlet Anode (A420 Aluminum) ♦#	---	415-49560-10	415-49560-10	415-49560-10	415-49560-10	415-49560-11
4	Cover Conduit/Ground w/ Ground Screw	239-55386-00	239-55386-00	239-55386-00	239-55386-00	239-55386-00	239-55386-00
5	Cover Junction Box	243-39452-00	243-39452-00	243-39452-00	243-39452-00	243-39452-00	243-39452-00
6	Heat Trap Insert (Inlet)	415-51556-00	415-51556-00	415-51556-00	415-51556-00	415-51556-00	415-51556-00
7	Cold Water Inlet Tube PEX ♦♦	229-51718-05	229-51718-05	229-51415-22	229-51415-22	415-51230-28	229-51718-05
8	Nipple outlet	229-50053-06	---	---	---	---	---
9	Upper Thermostat with High Limit (59T66) & Protector ▲■	415-51046-00	415-51046-00	415-51046-00	415-51046-00	415-51046-00	415-51046-00
	Lower Thermostat (59T) w/ Protector ▲■	415-51046-00	415-51046-00	415-51046-00	415-51046-00	415-51046-00	415-51046-00
	Lower Thermostat with High Limit (59T66) ▲	415-50691-00	415-50691-00	415-50691-00	415-50691-00	415-50691-00	415-50691-00
10	Heating Element 240V 4500W w/ Gasket μ (qty 2)	415-48642-00	415-48642-00	415-48642-00	415-48642-00	415-48642-00	415-48642-00
11	Thermostat Mounting Bracket	415-50689-00	415-50689-00	415-50689-00	415-50689-00	415-50689-00	415-50689-00
12	Access Cover	243-36618-02	243-36618-02	243-36618-02	243-36618-02	243-36618-02	243-36618-02
13	Brass Drain Valve	415-51684-01	415-51684-01	415-51684-02	415-51684-02	415-51684-02	415-51684-02
14	ASSE Approved Mixing Valve	239-51778-00	239-51778-00	239-51778-00	239-51778-00	239-51778-00	239-51778-00
15	Kit-Heat Trap Insert (PEX)	265-51572-00	265-51572-00	265-51572-00	265-51572-00	265-51572-00	265-51572-00
16	Blanket Kit	---	---	---	---	---	---

♦ Order with item 2.

♦♦ Order with item 6.

▲ Thermostat protector provided with thermostat. The thermostat mounting bracket is also provided with the thermostat.

μ For other voltage and wattage combinations, refer to heating elements on page 10 & 11

■ Upper and lower thermostats are packaged together.

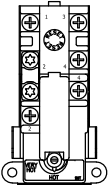
Anode may need to be cut to length, please see page 12 for reference chart of anode length by model.

* See RE250T alternate construction on page 5.

TOP LOCATION

- Double element water heater, non-simultaneous single phase and three phase operation.

59T66T



415-51046-00

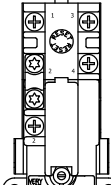
TOP LOCATION

- Double element water heater, simultaneous operation.

BOTTOM LOCATION

- Single element water heater.
- Double element water heater, non-simultaneous three phase operation.
- Double element water heater, simultaneous operation.

59T66T

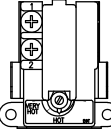


415-50691-00

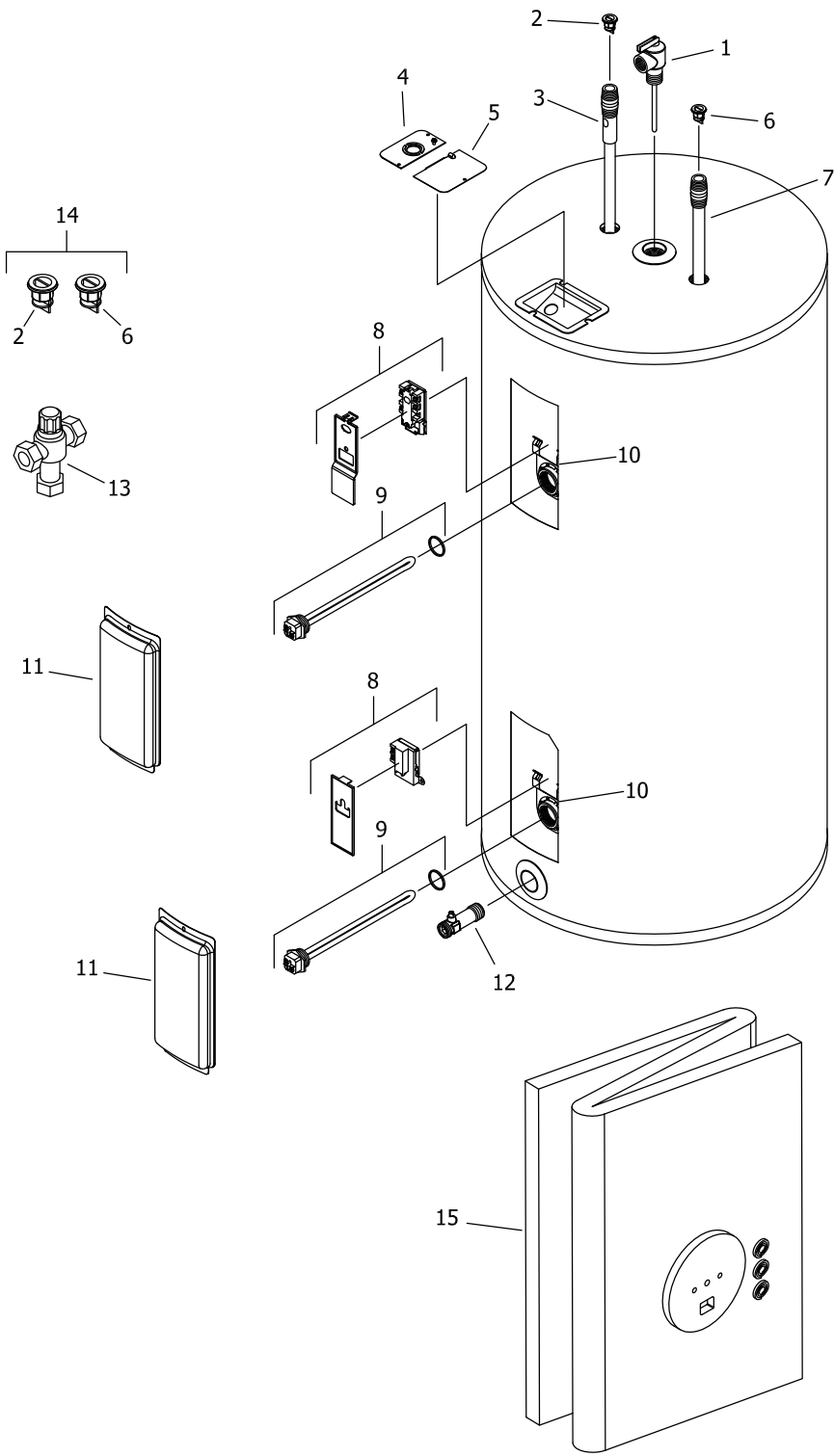
BOTTOM LOCATION

- Double element water heater, non-simultaneous single phase operation

59T



415-51046-00



Item	Description	Model	Model
		RE230L	RE240L
1	T&P Relief Valve	415-40594-02	415-40594-02
2	Heat Trap Insert (Inlet)	415-51556-00	415-51556-00
3	Heat Trap Insert (Outlet)	415-45167-00	415-45167-00
4	Hot Water Outlet Anode (Magnesium) ♦#	415-47776-19	415-47776-19
	Hot Water Outlet Anode (Aluminum) ♦#	415-32999-28	415-32999-28
	Hot Water Outlet Anode (A420 Aluminum) ♦#	415-49560-10	415-49560-10
5	Cover Conduit/Ground w/ Ground Screw	239-55386-00	239-55386-00
6	Cover Junction Box	243-39452-00	243-39452-00
7	Cold Water Inlet Tube Pex ♦♦	229-51718-04	229-51415-27
8	Upper Thermostat with High Limit (59T66) w/ Protector ▲■	415-51046-00	415-51046-00
	Lower Thermostat (59T) w/ Protector ▲■	415-51046-00	415-51046-00
	Lower Thermostat with High Limit (59T66) ▲	415-50691-00	415-50691-00
9	Heating Element 240V 4500W w/ Gasket μ (qty 2)	415-48642-00	415-48642-00
10	Thermostat Mounting Bracket	415-50689-00	415-50689-00
11	Access Cover	243-36618-02	243-36618-02
12	Drain Valve	415-51684-01	415-51684-01
13	ASSE Approved Mixing Valve	239-51778-00	239-51778-00
14	Kit-Heat Trap Insert (PEX)	265-51572-00	265-51572-00
15	Blanket Kit	---	239-54891-00
16	Insulation Kit	239-48949-00	239-48949-00

♦ Order with item 2.

♦♦ Order with item 6.

▲ Thermostat protector provided with thermostat. The thermostat mounting bracket is also provided with the thermostat.

μ For other voltage and wattage combinations, refer to heating elements on page 10 & 11

■ Upper and lower thermostats are packaged together.

Anode may need to be cut to length, please see page 12 for reference chart of anode length by model.

TOP LOCATION

- RE250L(N) & RE255T water heater, non-simultaneous single phase and three phase operation.

59T66T

415-54052-00

TOP LOCATION

- Double element water heater, non-simultaneous single phase and three phase operation.

59T66T

415-51046-00

TOP LOCATION

- Double element water heater, simultaneous operation.

BOTTOM LOCATION

- Single element water heater.
- Double element water heater, non-simultaneous three phase operation.
- Double element water heater, simultaneous operation.

59T66T

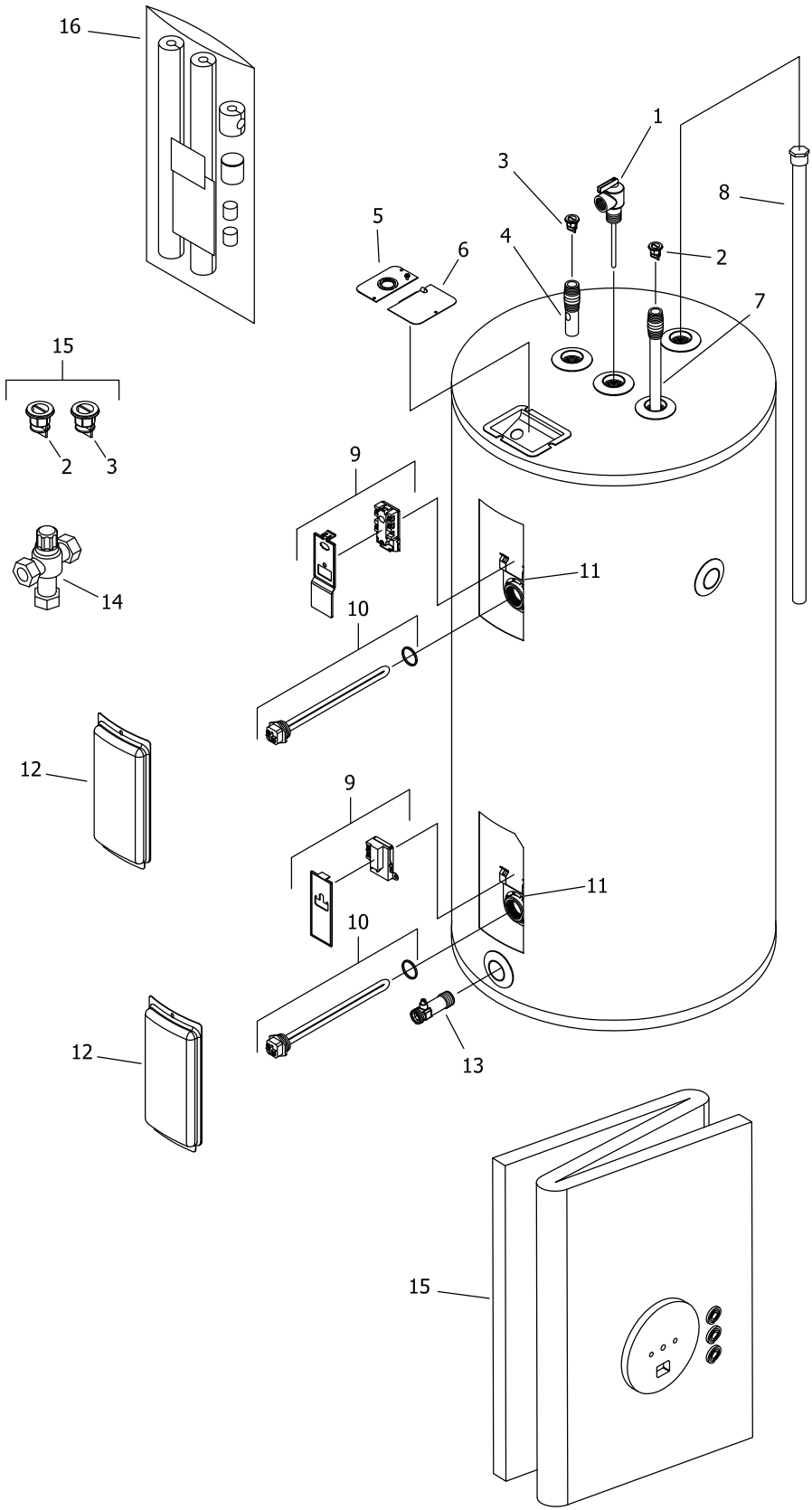
415-50691-00

BOTTOM LOCATION

- Double element water heater, non-simultaneous single phase operation

59T

415-51046-00



Item	Description	Model RE130L	Model RE230LN	Model RE240LN	Model RE250L(N)	Model RE255T
1	T&P Relief Valve	415-40594-02	415-40594-02	415-40594-02	415-40594-02	415-40594-04
2	Heat Trap Insert (Inlet)	415-51556-00	415-51556-00	415-51556-00	415-51556-00	415-51556-00
3	Heat Trap Insert (Outlet)	415-51556-00	415-51556-00	415-51556-00	415-51556-00	415-45167-00
4	Hot Water Outlet Device ♦	229-51995-00	229-51995-00	229-51858-00	229-51858-00	229-50053-06
5	Cover Conduit/Ground w/ Ground Screw	239-55386-00	239-55386-00	239-55386-00	239-55386-00	239-55386-00
6	Cover Junction Box	243-39452-00	243-39452-00	243-39452-00	243-39452-00	243-39452-00
7	Cold Water Inlet Tube PEX ♦	229-51718-03	229-51718-03	229-52007-01	229-51718-02	229-51718-05
8	Hex head Sacrificial Anode (Magnesium) #	415-47782-08	415-47782-08	415-47782-08	415-47782-08	415-47782-08
	Hex head Sacrificial Anode (Aluminum) #	415-38508-10	415-38508-10	415-38508-10	415-38508-10	415-38508-10
	Hex head Sacrificial Anode (A420 Aluminum) #	415-49559-04	415-49559-04	415-49559-04	415-49559-04	415-49559-04
9	Upper Thermostat with High Limit (59T66) & Protector ▲ ■	415-51046-00	415-51046-00	415-51046-00	415-54052-00	415-54052-00
	Lower Thermostat (59T) w/ Protector ▲ ■	415-51046-00	415-51046-00	415-51046-00	415-54052-00	415-54052-00
	Lower Thermostat with High Limit (59T66) ▲	415-50691-00	415-50691-00	415-50691-00	415-50691-00	415-50691-00
10	Heating Element 240V 4500W w/ Gasket μ (qty 2)	415-42544-08	415-48642-00	415-48642-00	415-48642-00	415-48642-00
11	Thermostat Mounting Bracket	415-50689-00	415-50689-00	415-50689-00	415-50689-00	415-50689-00
12	Access Cover	243-36618-02	243-36618-02	243-36618-02	243-36618-02	243-36618-02
13	Brass Drain Valve	415-42351-02	415-51684-02	415-51684-02	415-51684-01	415-51684-02
14	ASSE Approved Mixing Valve	239-51778-00	239-51778-00	239-51778-00	239-51778-00	239-51778-00
15	Kit-Heat Trap Insert (PEX)	265-51875-00	265-51875-00	265-51875-00	265-51875-00	265-51572-00
16	Blanket Kit	239-50210-06	---	---	---	---
17	Insulation Kit	239-48949-00	239-48949-00	239-48949-00	239-48949-00	---

♦ Order with item 2.

▲ Thermostat protector provided with thermostat. The thermostat mounting bracket is also provided with the thermostat.

μ For other voltage and wattage combinations, refer to heating elements on page 10 & 11

■ Upper and lower thermostats are packaged together.

Anode may need to be cut to length, please see page 12 for reference chart of anode length by model.

**Heating Elements (Copper) for:
Residential Series (RE)
Light Duty (LE) Commercial Series
Medium Duty (E32) Commercial Series
Commercial (MII) Series**

Wattage	120 Volt	208 Volt	240 Volt	277 Volt	380 Volt
1000W ▲	415-42540-01	415-42544-01	415-42546-01	N/A	N/A
1250W ▲	N/A	N/A	415-42544-13	N/A	N/A
1500W ▲	415-42540-02	415-42544-03	415-42544-01	N/A	N/A
1500W (LWD) ▲	415-42540-03	N/A	415-42544-02	N/A	N/A
2000W ▲	415-42540-04	415-42544-04	415-42544-03	N/A	N/A
2500W ▲	415-42540-05	415-42544-06	415-42544-04	N/A	N/A
3000W ▲	415-42540-07	415-42544-14	415-42544-05	N/A	N/A
3500W ▲▲	N/A	415-42544-08	415-42544-06	N/A	N/A
3800W ▲▲	N/A	N/A	415-42546-10	N/A	N/A
4000W ▲▲	N/A	415-42544-16	415-42544-14	N/A	N/A
4500W ▲▲	N/A	415-42544-12	415-42544-08	N/A	N/A
4500W (LWD) ▲▲	N/A	N/A	415-51333-09	N/A	N/A
5000W ▲▲	N/A	N/A	415-42544-10	N/A	N/A
5500W ▲▲	N/A	N/A	415-42544-16	N/A	N/A
6000W ▲▲	N/A	N/A	415-42544-12	N/A	N/A
Element gasket ^	223-34019-00	223-34019-00	223-34019-00	223-34019-00	223-34019-00
Element plug	223-34020-00	223-34020-00	223-34020-00	223-34020-00	223-34020-00

(LWD) = Low Watt Density

- ▲ For 12" Diameter tanks and above.
- ▲▲ For 14" Diameter tanks and above.
- * For 16" Diameter tanks and above.
- ** For 18" Diameter tanks and above.
- ^ Element gaskets included with elements.

**Heating Elements (Incoloy) for:
Residential Series (RE)
Light Duty (LE) Commercial Series
Medium Duty (E32) Commercial Series
Commercial (MII) Series**

Wattage	120 Volt	208 Volt	240 Volt	277 Volt	380 Volt
1000W ▲	N/A	415-42545-13	415-42547-10	N/A	N/A
1250W ▲	N/A	N/A	N/A	N/A	N/A
1500W ▲	415-42541-02	415-42545-02	415-42545-13	415-42547-10	415-42551-12
1500W (LWD) ▲	N/A	N/A	N/A	N/A	N/A
2000W ▲	N/A	415-42545-14	415-42545-02	415-42547-07	415-42549-04
2500W ▲	N/A	415-42545-11	415-42545-14	415-42547-11	415-42551-13
3000W ▲	N/A	415-42545-12	415-42545-15	415-42547-08	415-42551-10
3500W ▲▲	N/A	415-51328-07	415-42545-11	N/A	415-42551-14
3800W ▲▲	N/A	N/A	415-42547-15	N/A	N/A
4000W ▲▲	N/A	415-42545-17	415-42545-12	415-42547-03	415-42551-16
4500W ▲▲	N/A	415-42545-19	415-51328-07	415-42547-12	415-42551-17
4500W (LWD) ▲▲	N/A	N/A	N/A	N/A	N/A
5000W ▲▲	N/A	415-42543-04	415-42545-18	415-42547-15	415-42553-11
5500W ▲▲	N/A	415-42543-05	415-42545-17	415-42547-13	415-42549-06
6000W ▲▲	N/A	415-42543-06	415-42545-19	415-42547-14	415-42549-05
Element gasket ^	223-34019-00	223-34019-00	223-34019-00	223-34019-00	223-34019-00
Element plug	223-34020-00	223-34020-00	223-34020-00	223-34020-00	223-34020-00

(LWD) = Low Watt Density

Element wrench *** 415-35897-12

Adapt-a-flange kit *** 265-36968-12

*** For use with residential, LD, E32, and MII series heating elements only. Not for use with commercial "A" series heating elements.

▲ For 12" Diameter tanks and above.

▲▲ For 14" Diameter tanks and above.

* For 16" Diameter tanks and above.

** For 18" Diameter tanks and above.

^ Element gaskets included with elements.

Reference Chart of Anode Length by Model

Model	AOD Anode Cut (End to end)		Hex Head Anode Cut Length (End to end)	
	Inches	Millimeters	Inches	Millimeters
RE230S	39.13	994	---	---
RE240S	39.13	994	---	---
RE250S	39.13	994	---	---
RE330S	39.13	994	---	---
RE340S	39.13	994	---	---
RE350S	39.13	994	---	---
RE340T	44.63	1133.6	---	---
RE350T	44.63	1133.6	---	---
RE250T	44.63	1133.6	43.5	1105
RE255T	---	---	47	1194
RE265T	51.13	1303	---	---
RE130L	---	---	23	584
RE230L	27.13	690	---	---
RE240L	27.13	690	---	---
RE230LN	---	---	23	584
RE240LN	---	---	23	584
RE250L(N)	---	---	23	584
RE280T	51.63	1316	---	---



United States

Sales 800-523-2931

Technical Support 800-334-3393

Email techserv@bradfordwhite.com

Warranty 800-531-2111

Email warranty@bradfordwhite.com

Service Parts 800-538-2020

Email parts@bradfordwhite.com

Canada

Sales & Technical Support 866-690-0961 905-203-0600

Fax 905-636-0666

Warranty bwccwarranty@bradfordwhite.com

Technical Support bwccotech@bradfordwhite.com

Service Parts orders@bradfordwhitecanada.com

Orders ca.orders@bradfordwhite.com

For U.S. and Canada field service,
contact your professional installer or
local Bradford White sales representative.

International

General Contact international@bradfordwhite.com