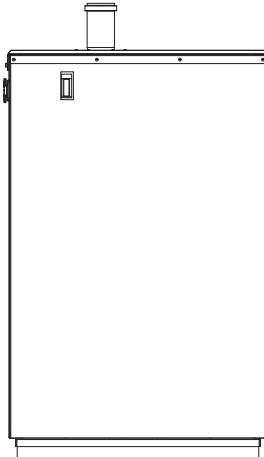


Brute

Hydronic Boiler

BNTH | Hydronic Boiler



Date:

Project #:

Engineer:

Prepared By:

Bid Date:

Outdoor Sizes 150-399

Submittal Data



Project Name:

Location:

Contractor:

Standard Equipment

- Meets ANSI Z21.13-2013, section 5.26 boilers for outdoor installations
- Electronic PID modulating control with large color touchscreen display
- Password-protected parameters for installer use
- Test feature allows forced min or max firing
- Complete diagnostics for analog and digital inputs
- Displays holds, alerts and errors in clear text form
- Dry alarm contacts for ignition failure
- High condensing efficiency
- Modulation down to 20% of full fire (5:1 turndown)
- Sealed combustion chamber
- Pre-mix stainless steel burner
- Low NOx system exceeds the most stringent regulations for air quality - 10 ppm NOx
- Horizontal or vertical direct vent
- Horizontal vent and air terminals
- Vent and air pipe lengths of up to 100 equivalent feet (each)
- Built-in condensate trap
- Vent temperature cutoff feature
- Direct spark ignition system
- Indirect water heater priority
- Sensor for indirect domestic water tank
- 160 psi maximum working pressure
- Stainless steel heat exchanger with welded construction (no gaskets)
- ASME "H" stamp
- 75 psi (517 kPa) ASME rated pressure relief valve
- Water flow switch (399-850 only)
- Temperature & pressure gauge
- Drain valve
- Multiple pump control for boiler pump, system pump and indirect domestic water pump, each with delay
- Optional pump (sized to model) available for field installation (285 only)
- Integrated PID temperature and ignition controls
- Large user-interface and display
- Alarm output
- Accepts external 4-20mA (0-10V with optional convertor) modulation signal
- Outdoor reset with customizable reset curves, domestic hot water override and warm weather shutdown
- Outdoor air temperature sensor
- On/off toggle switch
- Manual reset high limit
- Burner site glass
- Zero clearance to combustible surfaces
- Built-in cascade function for up to eight Brutes.
- 10-year limited warranty

Boiler Data

Number of Units:

Fuel

- Natural
 Propane

Pump Options

- Pump included
 No pump

Factory Mounted Options

- CSD-1 (covers FM & GAP) (500-850)
 Low water cutoff (500-850)
 High & Low gas pressure switches (500-850)
 Additional auto reset high limit
- 30 psi pressure relief valve
 50 psi pressure relief valve
 60 psi pressure relief valve
 75 psi pressure relief valve (std)
 125 psi pressure relief valve
 150 psi pressure relief valve
- Bell for ignition failure



Accessories for Field Mounting

- Water flow switch (150-285 only)
- Low water cutoff
- 0 - 10V convertor for modulation control
- High & Low gas pressure switches
- Boiler pump
- Concentric vent terminal, 3"
- Flush-mount terminal, 3"
- Flush-mount terminal, 4"
- Propane conversion kit
- Condensate neutralizer kit
- Variable Speed Pump Control
- BACnet gateway
- LON gateway

Sizing Data

Model	Input		Output		AFUE	Thermal Efficiency %	Comb. Efficiency %	Gas Conn. Size inches	Water Conn. Size inches	Shipping Weight	
	BTU/h	kW	BTU/h	kW						Lbs	kg
<input type="checkbox"/> BNTH 150	150,000	44.0	138,000	40.4	95.0	N/A	N/A	½ NPT	1 NPT	228	104
<input type="checkbox"/> BNTH 210	210,000	61.5	194,000	61.5	95.0	N/A	N/A	½ NPT	1 NPT	270	123
<input type="checkbox"/> BNTH 285	285,000	83.5	264,000	77.4	95.0	N/A	N/A	¾ NPT	1¼ NPT	299	136

NOTES:

For other boiler ratings:

Boiler Horsepower: HP = $\frac{\text{Output}}{33,475}$

Radiation Surface: EDR sq. ft. = $\frac{\text{Output}}{150}$

Clearances

Appliance Surface	Suggested Service Access Clearance	
	inches	cm
Left Side	12	31
Right Side	12	31
Top (for flue)	48	122
Back	12	31
Closet, Front	1	2.5
Alcove, Front	24	61
Vent	Per Vent Manufacturer	

Certified by CSA for zero clearance to combustible materials on all sides.

Electrical Data

Sizes	Boiler			Pump Connections Ratings (System Pump and DHW Pump Connections)
	Volts	Phase	Amps	
No Pump	120	Single	2*	115V – Maximum 1HP or 7.4A max
With Pump	120	Single	Less than 6*	115V – Maximum 1HP or 7.4A max

* Minimum 15A circuit required

Vent System

Size	Intake (Air)	Exhaust (Vent)	Maximum Allowable	
	Pipe	Pipe	Equivalent Length*	
150	3"	3"	100 ft	30 m
210	3"	3"	100 ft	30 m
285	3"	3"	20 ft	6.1 m
	4"	4"	100 ft	30 m

Installations in the U.S. require exhaust vent pipe that is a combination of PVC & CPVC complying with ANSI/ASTM D1785 F441, polypropylene pipe that complies with ULC S636, or stainless steel complying with UL1738. Installations in Canada require exhaust vent pipe that is certified to ULC S636.

Intake (air) pipe may be ABS, PVC, CPVC or galvanized material.

Installer must comply fully with manufacturer's installation instructions, including use of minimum exhaust length CPVC, to maintain ANSI Z21.13 safety certification.

Closet and alcove installations do not allow the use of PVC under any circumstances

* To calculate max equivalent length, measure the linear feet of the pipe, and add 5 feet (1.5m) for each elbow used.

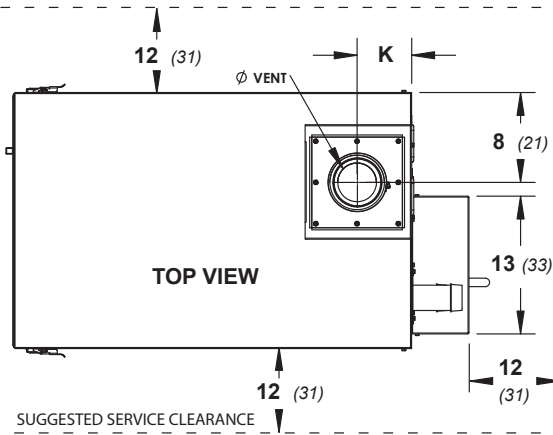
** Allowed only if the vent pipe is no more than 20 equivalent feet longer than the air pipe.

Water Flow Requirements

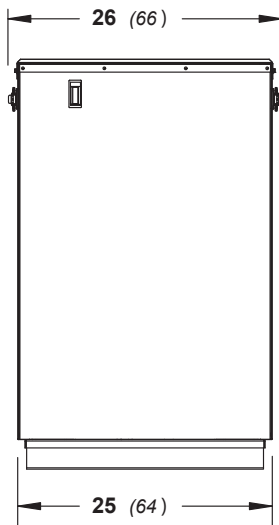
Size	Temperature Rise in °F									
	20°F		25°F		30°F		35°F		40°F	
	Flow gpm	H/L feet	Flow gpm	H/L feet	Flow gpm	H/L feet	Flow gpm	H/L feet	Flow gpm	H/L feet
150	14	29	11	19	10	14	8	11	7	9
210	20	24	16	17	13	12	11	9	10	7
285	27	26	22	18	18	14	15	11	13	8

Size	Temperature Rise in °C									
	11°C		14°C		17°C		19°C		22°C	
	Flow lpm	H/L m	Flow lpm	H/L m	Flow lpm	H/L m	Flow lpm	H/L m	Flow lpm	H/L m
150	54	8.7	43	5.8	36	4.1	31	3.4	27	2.1
210	76	7.3	61	5.1	51	3.5	43	2.7	37	2.4
285	102	7.8	81	5.3	68	4.3	58	3.2	51	2.4

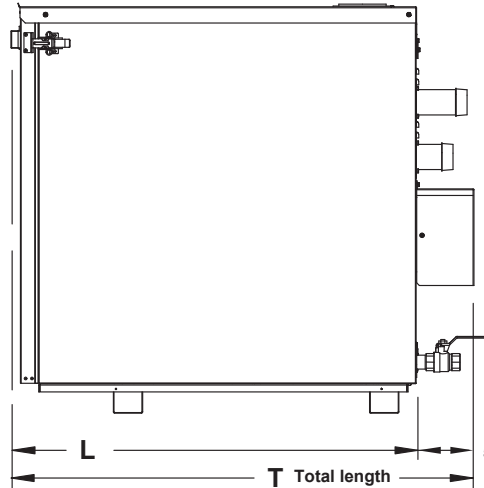
**Dimensional
Data, Sizes
150 - 399**



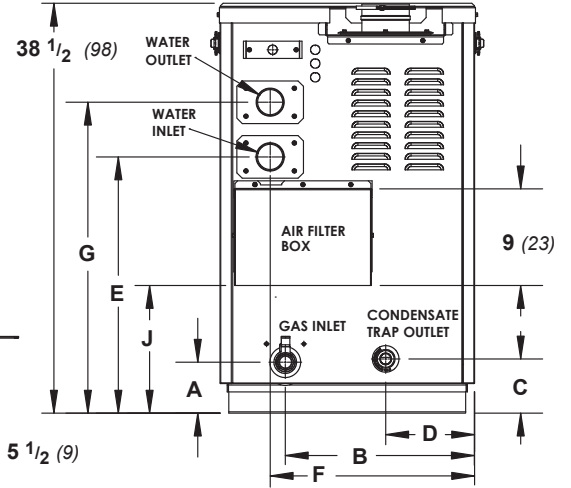
Dimensions shown in Inches and (cm's)



FRONT VIEW



RIGHT SIDE VIEW



BACK VIEW

SIZE	A		B		C		D		E	
	in	cm	in	cm	in	cm	in	cm	in	cm
150	6-1/4"	16	11"	28	13"	33	17-1/4"	43.8	23-1/2"	60
199 / 210	6-1/4"	16	11"	28	13"	33	17-1/4"	43.8	23-1/2"	60
285	6"	15.5	11"	28	5"	13	17-1/4"	43.8	24"	61

The 'BACK VIEW' shown is of a 500 MBH model. All other units will be similar, yet different.

All models are shipped with adapters for the air and vent that accept standard pipe of the proper size and type.

SIZE	F		G		J		K		L (Length)		T (Total Length)		VENT Ø	
	in	cm	in	cm	in	cm	in	cm	in	cm	in	cm	in	cm
150	18"	45.7	27"	69	23-1/2"	60	5-1/4"	13	20"	60	25-1/2"	65	3	7.6
199 / 210	18"	45.7	27"	69	24-1/2"	60	5-1/4"	13	27"	68.6	32-1/2"	82.5	3	7.6
285	19"	48	28-1/4"	72	12"	30.5	7-1/4"	18.4	27"	68.6	32-1/2"	82.5	4	11

Bradford White Corporation reserves the right to change specifications, components, features, or to discontinue products without notice.



200 Lafayette St.
Middleville, MI 49333
Warranty: (800) 531-2111

www.BradfordWhite.com

Litho in U.S.A. © Bradford White 1904 Document 1361-BW